

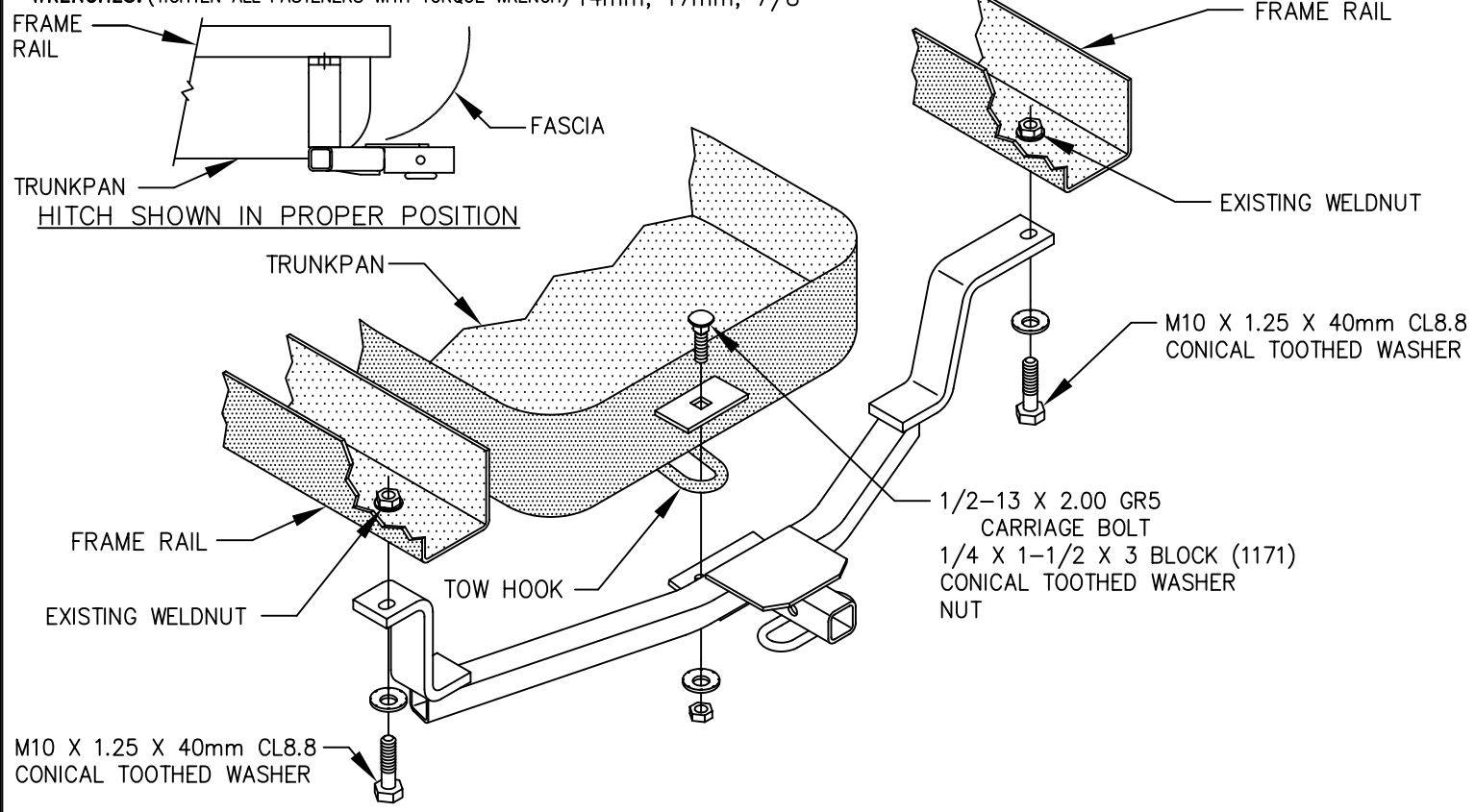
# SPORT FRAME<sup>®</sup>

## INSTALLATION INSTRUCTIONS

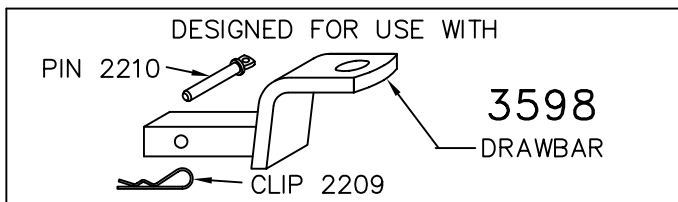
VEHICLE	HITCH NO.
KIA OPTIMA	24709 60244

EQUIPMENT REQUIRED: NONE  
 WIRING ACCESS LOCATION: PC3, PC4  
 DRILL BITS: NONE  
 HITCH REQUIRES 1/2" PIN AND CLIP  
 WRENCHES: (TIGHTEN ALL FASTENERS WITH TORQUE WRENCH) 14mm, 17mm, 7/8

2000 LB MAX GROSS TRAILER WT  
 200 LB MAX TONGUE WEIGHT  
 DO NOT EXCEED TOWING VEHICLE RATINGS



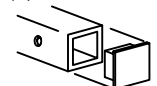
1. REMOVE TWO (2) EXISTING BOLTS FROM FRAME.
  2. INSTALL CARRIAGE BOLT & BLOCK (1171) THRU TOW HOOK AS SHOWN ABOVE.
  3. RAISE HITCH INTO POSITION AND INSTALL TWO (2) M10 BOLTS AND CONICAL TOOTHED WASHERS.
  4. INSTALL CONICAL TOOTHED WASHER & NUT ON CARRIAGE BOLT.
- TIGHTEN ALL M10 CL8.8 FASTENERS TO 38 LB-FT.  
 TIGHTEN ALL 1/2 GR5 FASTENERS TO 75 LB-FT.



DRAWBAR REPLACEMENT KIT  
 (INCLUDES PIN & CLIP)  
**3593**  
 NOTE: REPLACEMENT DRAWBAR AVAILABLE ONLY  
 IN KIT. PINS & CLIPS AVAILABLE SEPARATELY.

USE ONLY THE DRAWBAR SHOWN FOR CORRECT BUMPER CLEARANCE AND HEIGHT.  
 DRAWBAR MUST BE USED IN THE RISE POSITION ONLY.

REMOVE DRAWBAR WHEN NOT TOWING  
 TO PROTECT DRAWBAR OPENING IN HITCH WHEN NOT TOWING,  
 INSERT COVER #2211 (PURCHASED SEPARATELY).



THIS PRODUCT COMPLIES WITH SAFETY SPECIFICATIONS AND REQUIREMENTS FOR CONNECTING DEVICES AND TOWING SYSTEMS OF THE STATE OF NEW YORK AND V.E.S.C. REGULATION V-5.

APPROX WEIGHT (LB.)	19	FASTENER KIT NO.	F24709
---------------------	----	------------------	--------

NOTE: Check hitch frequently, making sure all fasteners and ball are properly tightened. If hitch is removed, plug all holes in trunk pan or other body panels to prevent entry of water and exhaust fumes. A hitch or ball which has been damaged should be removed and replaced. Observe safety precautions when working beneath a vehicle and wear eye protection. Follow car maker's specs for maximum trailer weight and tongue weight. Do not cut access or attachment holes with a torch.

**TOWING PRODUCTS**  
 Plymouth, Michigan