

SPORTFRAME[®]

INSTALLATION INSTRUCTIONS

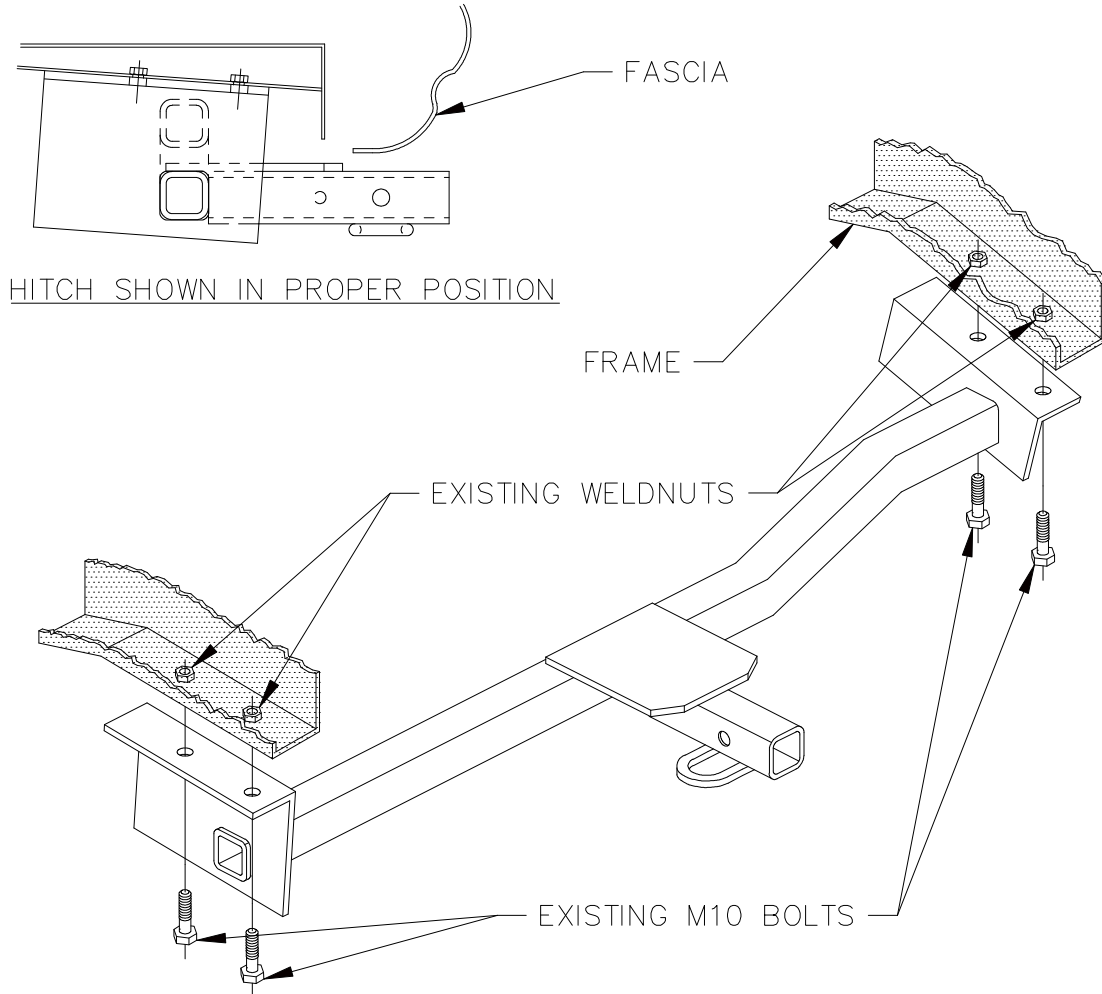
VEHICLE	HITCH NO.
TOYOTA TERCEL	24606 60882

EQUIPMENT REQUIRED:

DRILL BITS: NONE

WRENCHES: (TIGHTEN ALL FASTENERS WITH TORQUE WRENCH) 14mm

2000 LB MAX GROSS TRAILER WT
200 LB MAX TONGUE WEIGHT
DO NOT EXCEED TOWING VEHICLE RATINGS



1. REMOVE THE TIE-DOWN BRACKETS FROM EACH SIDE OF THE VEHICLE AND RETURN TO VEHICLE OWNER. RETAIN EXISTING M10 BOLTS TO INSTALL HITCH.
2. POSITION HITCH ON VEHICLE AS SHOWN, REINSTALL M10 BOLTS AS SHOWN.

TIGHTEN M10 FASTENERS TO 42 LB.-FT.

<p>COMPLETE HITCH INCLUDES</p> <p>PIN 2210</p> <p>CLIP 2209</p> <p>3598</p> <p>DRAWBAR</p>	<p>DRAWBAR REPLACEMENT KIT (INCLUDES PIN & CLIP)</p> <p>3593</p> <p>NOTE: REPLACEMENT DRAWBAR AVAILABLE ONLY IN KIT. PINS & CLIPS AVAILABLE SEPARATELY.</p>
---	--

USE ONLY THE DRAWBAR SHOWN FOR CORRECT BUMPER CLEARANCE AND HEIGHT. DRAWBAR MUST BE USED IN THE RISE POSITION ONLY.

REMOVE DRAWBAR WHEN NOT TOWING
TO PROTECT DRAWBAR OPENING IN HITCH WHEN NOT TOWING,
INSERT COVER #2211 (PURCHASED SEPARATELY).

THIS PRODUCT COMPLIES WITH SAFETY SPECIFICATIONS AND REQUIREMENTS FOR CONNECTING DEVICES AND TOWING SYSTEMS OF THE STATE OF NEW YORK AND V.E.S.C. REGULATION V-5.

APPROX WEIGHT (LB.)	17	FASTENER KIT NO.	NONE
---------------------	----	------------------	------

NOTE: Check hitch frequently, making sure all fasteners and ball are properly tightened. If hitch is removed, plug all holes in trunk pan or other body panels to prevent entry of water and exhaust fumes. A hitch or ball which has been damaged should be removed and replaced. Observe safety precautions when working beneath a vehicle and wear eye protection. Follow car maker's specs for maximum trailer weight and tongue weight. Do not cut access or attachment holes with a torch.

