

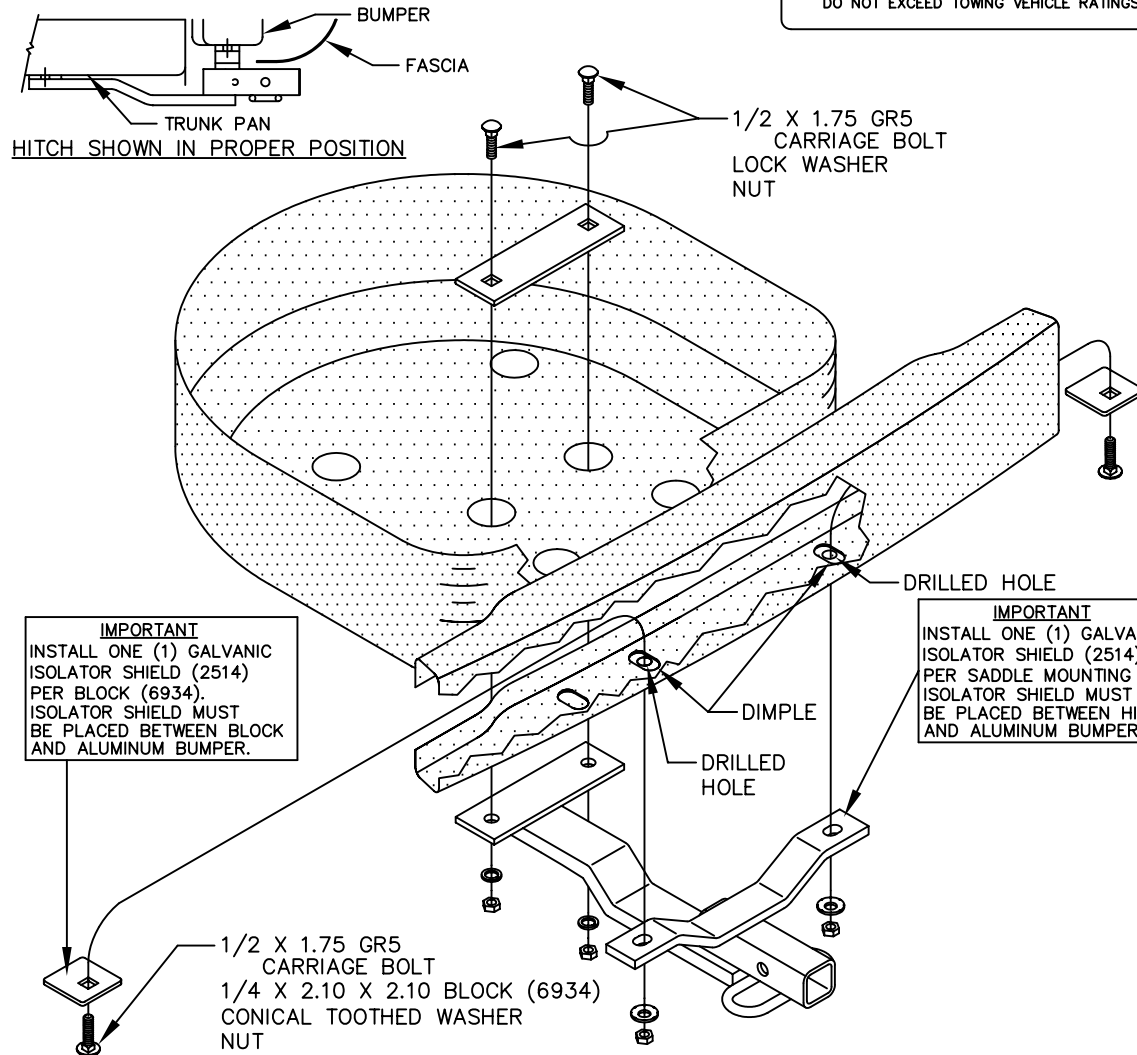
INSTALLATION INSTRUCTIONS

VEHICLE

SATURN L (ALL MODELS)

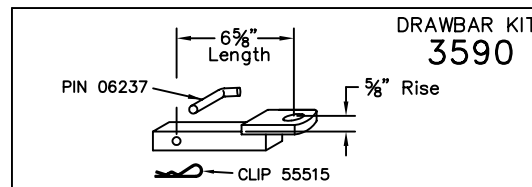
EQUIPMENT REQUIRED: SEALANT
 WIRING ACCESS LOCATION: PC3, PC4
 DRILL BITS: 1/2
 HITCH REQUIRES 1/2" PIN & CLIP
 WRENCHES: (TIGHTEN ALL FASTENERS WITH TORQUE WRENCH) 3/4

2000 LB MAX GROSS TRAILER WT
 200 LB MAX TONGUE WEIGHT
 DO NOT EXCEED TOWING VEHICLE RATINGS



1. REMOVE SPARE TIRE FROM VEHICLE.
2. REMOVE TAPE AND PLUGS FROM HOLES IN TRUNK PAN INDICATED ABOVE.
3. APPLY GALVANIC ISOLATORS TO SADDLE BAR AND BLOCKS WHERE INDICATED.
4. RAISE HITCH INTO POSITION AND LOOSELY SECURE WITH FASTENERS THROUGH TRUNK PAN.
5. ALIGN HOLES IN HITCH SADDLEBAR WITH DIMPLES IN BUMPER.
6. USING HITCH AS A TEMPLATE, DRILL TWO (2) HOLES IN DIMPLES AS SHOWN ABOVE.
7. INSTALL REMAINING FASTENERS AS SHOWN.
8. SEAL HOLES IN TRUNK PAN TO PREVENT INTRUSION OF EXHAUST FUMES AND WATER.
9. RETURN SPARE TO TRUNK.

TIGHTEN ALL 1/2 GR5 FASTENERS TO 75 LB-FT.



USE ONLY THE DRAWBAR SHOWN FOR CORRECT BUMPER CLEARANCE AND HEIGHT.
 DRAWBAR MUST BE USED IN THE RISE POSITION ONLY.

THIS PRODUCT COMPLIES WITH SAFETY SPECIFICATIONS AND REQUIREMENTS FOR CONNECTING DEVICES AND TOWING SYSTEMS OF THE STATE OF NEW YORK, V.E.S.C. REGULATION V-5 AND SAE J684.

APPROX WEIGHT (LB.)

13

FASTENER KIT

K24685

NOTE: Check hitch frequently, making sure all fasteners and ball are properly tightened. If hitch is removed, plug all holes in trunk pan or other body panels to prevent entry of water and exhaust fumes. A hitch or ball which has been damaged should be removed and replaced. Observe safety precautions when working beneath a vehicle and wear eye protection. Follow car maker's specs for maximum trailer weight and tongue weight. Do not cut access or attachment holes with a torch.

TOWING PRODUCTS
 Plymouth, Michigan