

INSTALLATION INSTRUCTIONS

EQUIPMENT REQUIRED:

WIRING ACCESS LOCATION: PC3, PC4

DRILL BITS:

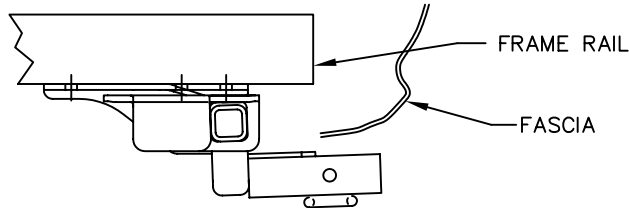
HITCH REQUIRES 1/2" PIN & CLIP

WRENCHES: (TIGHTEN ALL FASTENERS WITH TORQUE WRENCH) 12mm, 14mm
17mm, 3/4

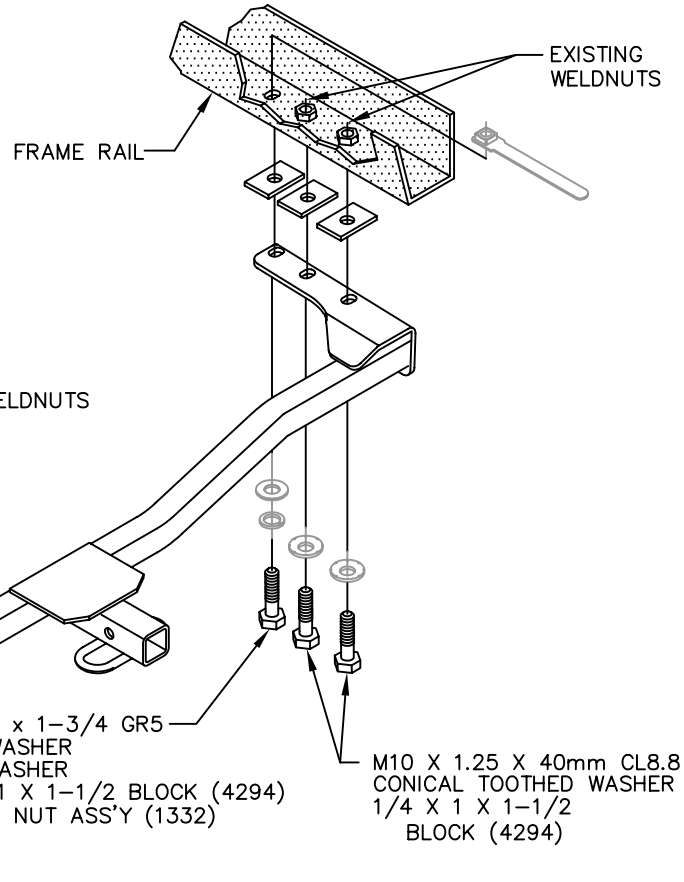
VEHICLE

NISSAN ALTIMA

2000 LB MAX GROSS TRAILER WT
200 LB MAX TONGUE WEIGHT
DO NOT EXCEED TOWING VEHICLE RATINGS



HITCH SHOWN IN PROPER POSITION



M10 X 1.25 X 40mm CL8.8
CONICAL TOOTHED WASHER
1/4 X 1 X 1-1/2
BLOCK (4294)

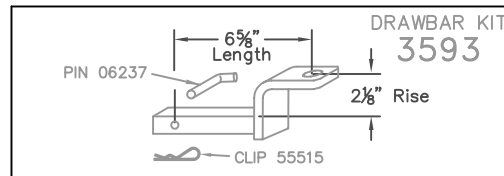
1/2-13 x 1-3/4 GR5
LOCK WASHER
FLAT WASHER
1/4 X 1 X 1-1/2 BLOCK (4294)
HANDLE NUT ASS'Y (1332)

M10 X 1.25 X 40mm CL8.8
CONICAL TOOTHED WASHER
1/4 X 1 X 1-1/2
BLOCK (4294)

1. REMOVE DRIVER'S AND PASSENGER'S SIDE TIE DOWN BRACKETS (IF EQUIPPED). RETURN BRACKETS AND FASTENERS TO VEHICLE OWNER FOR REINSTALLATION IF HITCH IS REMOVED FROM VEHICLE.
2. LOWER VEHICLE EXHAUST BY REMOVING BOLTS FROM EXHAUST HANGER BRACKET REARWARD OF THE MUFFLER OR BY REMOVING RUBBER HANGER FROM TOP HANGER PIN. ALSO, REMOVE BOLTS FROM EXHAUST HANGER ON PASSENGER'S SIDE FRAME RAIL. RETAIN HANGER BOLTS FOR REINSTALLATION AFTER HITCH IS INSTALLED.
3. RAISE HITCH INTO POSITION. INSTALL FASTENERS AS SHOWN ABOVE.
4. NOTCH FASCIA, IF REQUIRED, TO RELIEVE INTERFERENCE WITH SIDE BRACKETS.
5. REATTACH EXHAUST BY INSTALLING FASTENERS AND REATTACHING RUBBER HANGER REMOVED IN STEP 2.

TIGHTEN ALL M10 CL8.8 FASTENERS TO 38 LB.-FT.

TIGHTEN ALL 1/2 GR5 FASTENERS TO 50 LB.-FT.



USE ONLY THE DRAWBAR SHOWN FOR CORRECT BUMPER CLEARANCE AND HEIGHT.
DRAWBAR MUST BE USED IN THE RISE POSITION ONLY.

THIS PRODUCT COMPLIES WITH SAFETY SPECIFICATIONS AND REQUIREMENTS FOR CONNECTING DEVICES AND TOWING SYSTEMS OF THE STATE OF NEW YORK, V.E.S.C. REGULATION V-5 AND SAE J684.

APPROX WEIGHT (LB.)

21

FASTENER KIT

K24690

NOTE: Check hitch frequently, making sure all fasteners and ball are properly tightened. If hitch is removed, plug all holes in trunk pan or other body panels to prevent entry of water and exhaust fumes. A hitch or ball which has been damaged should be removed and replaced. Observe safety precautions when working beneath a vehicle and wear eye protection. Follow car maker's specs for maximum trailer weight and tongue weight. Do not cut access or attachment holes with a torch.

TOWING PRODUCTS
Plymouth, Michigan