

# INSTALLATION INSTRUCTIONS

VEHICLE  
HYUNDAI ELANTRA

EQUIPMENT REQUIRED:

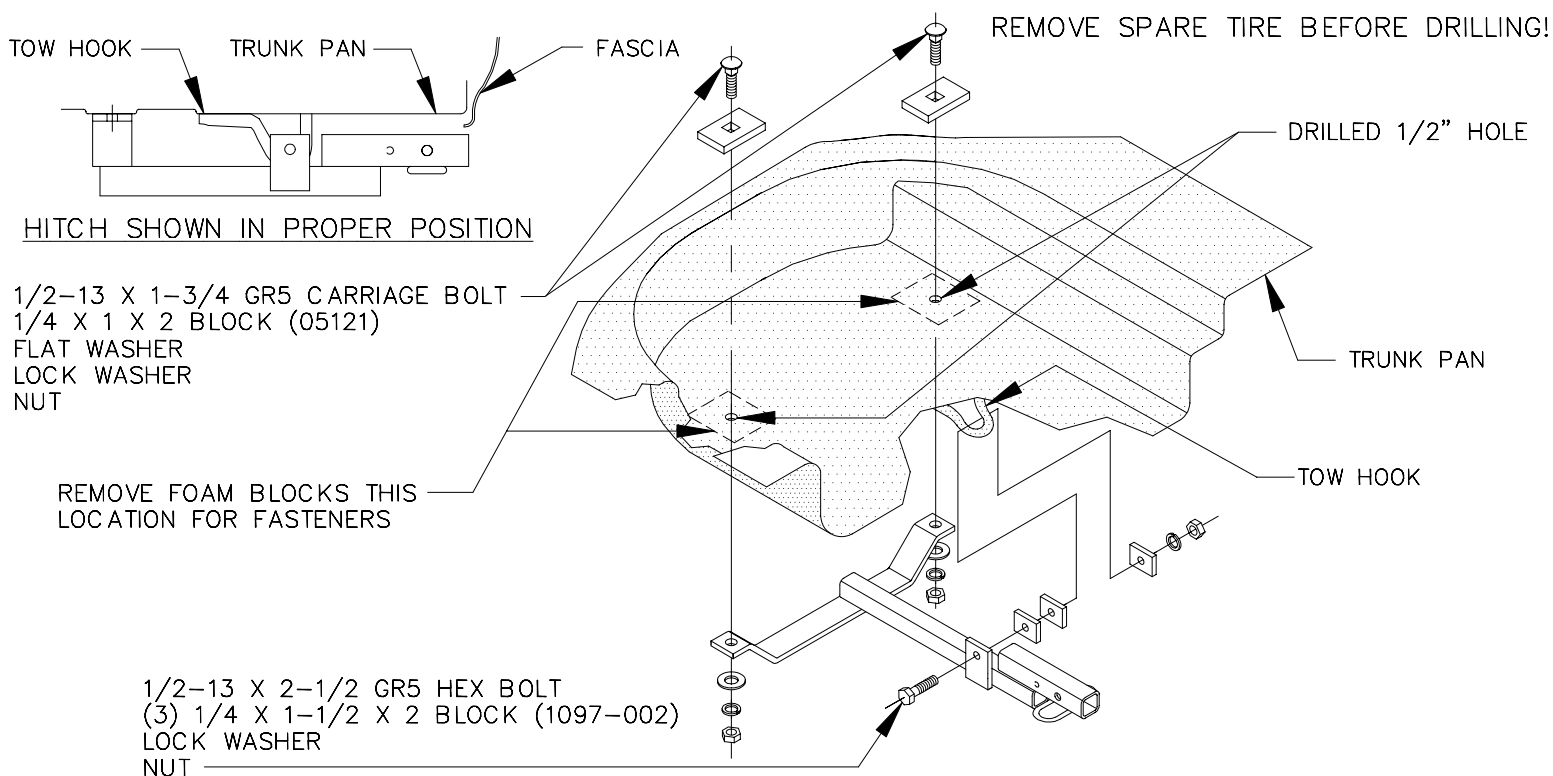
WIRING ACCESS LOCATION: PC3, PC4

DRILL BITS: 1/2"

HITCH REQUIRES 1/2" PIN & CLIP

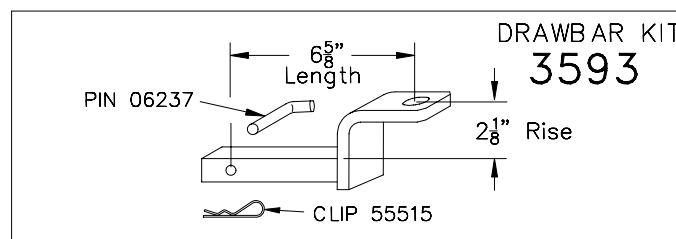
WRENCHES: (TIGHTEN ALL FASTENERS WITH TORQUE WRENCH) 13/16, 7/8

2000 LB MAX GROSS TRAILER WT  
200 LB MAX TONGUE WEIGHT  
DO NOT EXCEED TOWING VEHICLE RATINGS



1. REMOVE SPARE TIRE AND (2) FOAM BLOCKS LOCATED LEFT AND RIGHT OF SPARE TIRE, FROM TRUNK.
2. ATTACH HITCH TO TOW HOOK AS SHOWN ABOVE.
3. USING HITCH AS TEMPLATE, DRILL (2) 1/2" HOLES IN TRUNK PAN.
4. INSTALL 1/2" CARRIAGE BOLTS, BLOCKS, WASHERS AND NUTS AS SHOWN ABOVE.
5. SEAL HOLES DRILLED IN TRUNK PAN TO PREVENT INTRUSION OF EXHAUST FUMES AND WATER.
6. REINSTALL SPARE TIRE AND FOAM BLOCKS IN TRUNK.

TIGHTEN ALL 1/2" GR5 FASTENERS TO 75 LB.-FT.



USE ONLY THE DRAWBAR SHOWN FOR CORRECT BUMPER CLEARANCE AND HEIGHT.  
DRAWBAR MUST BE USED IN THE RISE POSITION ONLY.

THIS PRODUCT COMPLIES WITH SAFETY SPECIFICATIONS AND REQUIREMENTS FOR CONNECTING DEVICES AND TOWING SYSTEMS OF THE STATE OF NEW YORK, V.E.S.C. REGULATION V-5 AND SAE J684.

APPROX WEIGHT (LB.)

12.5

FASTENER KIT

K24646

NOTE: Check hitch frequently, making sure all fasteners and ball are properly tightened. If hitch is removed, plug all holes in trunk pan or other body panels to prevent entry of water and exhaust fumes. A hitch or ball which has been damaged should be removed and replaced. Observe safety precautions when working beneath a vehicle and wear eye protection. Follow car maker's specs for maximum trailer weight and tongue weight. Do not cut access or attachment holes with a torch.

TOWING PRODUCTS  
Plymouth, Michigan