

INSTALLATION INSTRUCTIONS

EQUIPMENT REQUIRED:

WIRING ACCESS LOCATION: PC4

DRILL BITS:

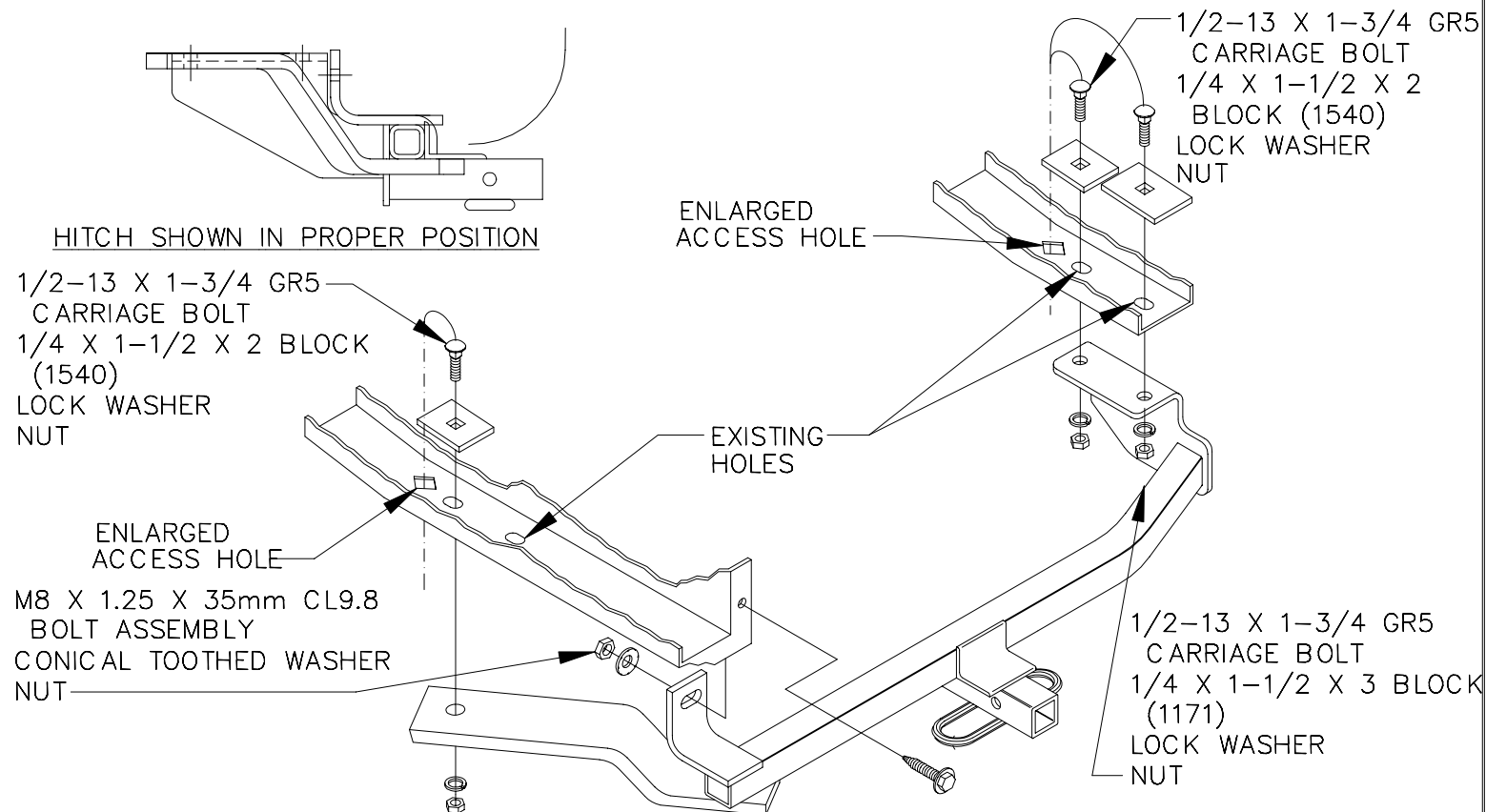
HITCH REQUIRES 1/2" PIN AND CLIP.

WRENCHES: (TIGHTEN ALL FASTENERS WITH TORQUE WRENCH) 13mm, 3/4

VEHICLE

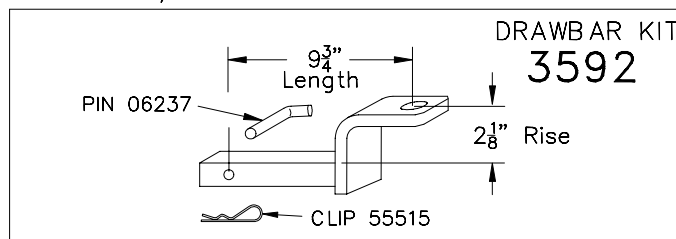
CHEVROLET MALIBU
OLDSMOBILE CUTLASS

2000 LB MAX GROSS TRAILER WT
200 LB MAX TONGUE WEIGHT
DO NOT EXCEED TOWING VEHICLE RATINGS



1. REMOVE LOWER, INBOARD M8 BUMPER BOLT ON DRIVER'S SIDE AND RETURN TO VEHICLE OWNER.
2. ENLARGE DIAMOND SHAPED HOLE IN BOTH FRAME RAILS TO ACCEPT BLOCKS AND CARRIAGE BOLTS.
3. FISHWIRE CARRIAGE BOLTS AND BLOCKS THROUGH ENLARGED ACCESS HOLE INTO EXISTING HOLES IN FRAME AS SHOWN.
4. RAISE HITCH INTO POSITION AND INSTALL 1/2" LOCKWASHERS, NUTS AND M8 FASTENER AS SHOWN.
5. FISHWIRE CARRIAGE BOLT AND BLOCK THROUGH ENLARGED ACCESS HOLE AS SHOWN. INSTALL 1/2" LOCKWASHER AND NUT.

TIGHTEN M8 CL9.8 FASTENERS TO 25 LB-FT
TIGHTEN 1/2" GR5 FASTENERS TO 75 LB-FT



USE ONLY THE DRAWBAR SHOWN FOR CORRECT BUMPER CLEARANCE AND HEIGHT.
DRAWBAR MUST BE USED IN THE RISE POSITION ONLY.

THIS PRODUCT COMPLIES WITH SAFETY SPECIFICATIONS AND REQUIREMENTS FOR CONNECTING DEVICES AND TOWING SYSTEMS OF THE STATE OF NEW YORK, V.E.S.C. REGULATION V-5 AND SAE J684.

APPROX WEIGHT (LB.)

22.5

FASTENER KIT

01131-004

NOTE: Check hitch frequently, making sure all fasteners and ball are properly tightened. If hitch is removed, plug all holes in trunk pan or other body panels to prevent entry of water and exhaust fumes. A hitch or ball which has been damaged should be removed and replaced. Observe safety precautions when working beneath a vehicle and wear eye protection. Follow car maker's specs for maximum trailer weight and tongue weight. Do not cut access or attachment holes with a torch.

TOWING PRODUCTS
Plymouth, Michigan