

# INSTALLATION INSTRUCTIONS

EQUIPMENT REQUIRED:

**WIRING ACCESS LOCATION:** SUV1, SUV2

**DRILL BITS:** 1/2"

**HITCH REQUIRES 1/2" PIN AND CLIP**

**WRENCHES:** (TIGHTEN ALL FASTENERS WITH TORQUE WRENCH) 10mm, 15mm, 3/4, 7/8

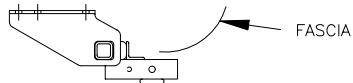
VEHICLE

HITCH NO.

CHEVROLET VENTURE  
OLDSMOBILE SILHOUETTE  
PONTIAC TRANS SPORT

24721  
77040  
60842

2000 LB MAX GROSS TRAILER WT  
200 LB MAX TONGUE WEIGHT  
DO NOT EXCEED TOWING VEHICLE RATINGS



HITCH SHOWN IN PROPER POSITION

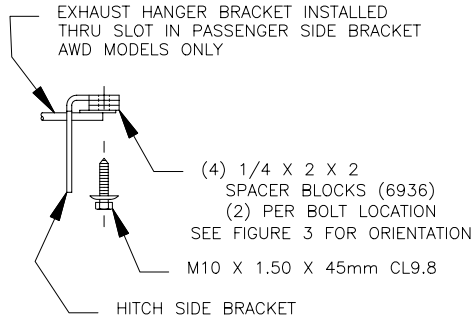


FIGURE 2

EXHAUST HANGER BRACKET INSTALLED THRU SLOT IN PASSENGER SIDE BRACKET AWD MODELS ONLY

HITCH SIDE BRACKET PASSENGER SIDE

MIDDLE 2 HOLES IN HITCH SIDE BRACKET

FIGURE 3  
ORIENTATION OF SPACER BLOCKS AWD MODELS ONLY

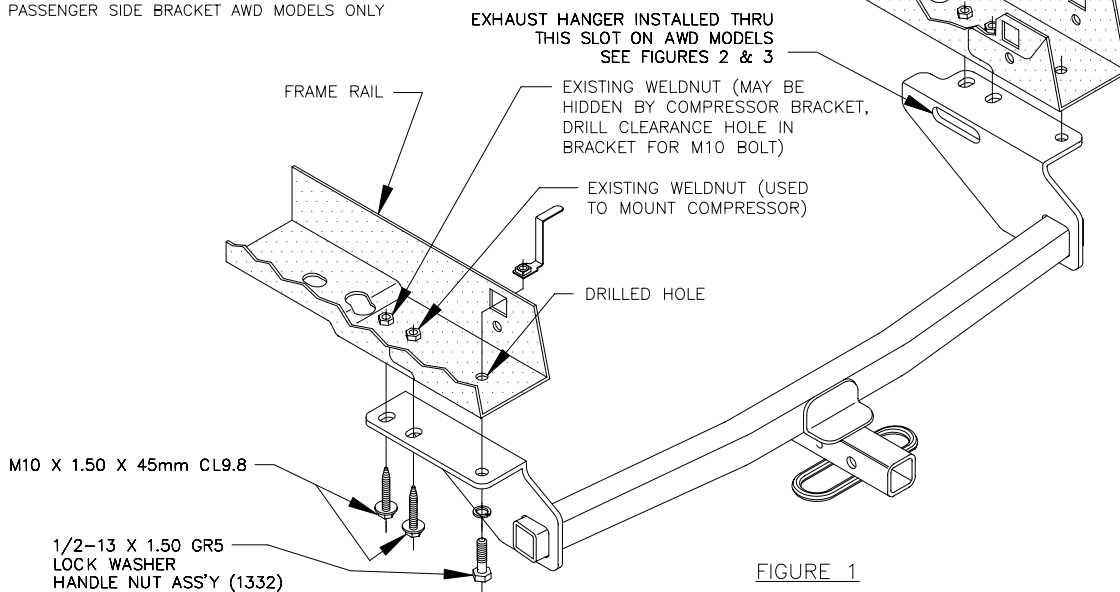
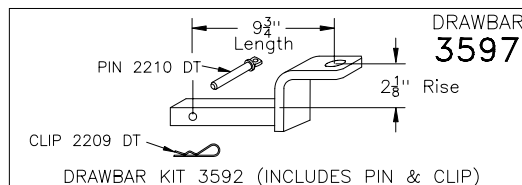


FIGURE 1

1. LOWER VEHICLE EXHAUST BY LOWERING THE EXHAUST HANGER ON THE PASSENGERS SIDE.
2. IF PRESENT, LOWER LOAD LEVELING COMPRESSOR ON DRIVERS SIDE, (1) M10 BOLT & (2) M6 NUTS.  
NOTE: IF NECESSARY, TRIM VERTICAL TAB ON COMPRESSOR BRACKET TO CLEAR ADJACENT M10 BOLT.
3. RAISE HITCH INTO POSITION. INSTALL M10 X 1.50 X 45mm CL9.8 BOLTS INTO EXISTING WELDNUTS, BOTH SIDES.
4. USING REARMOST HOLES IN HITCH SIDE BRACKETS AS A TEMPLATE DRILL 1/2" HOLES IN VEHICLE FRAME RAILS.
5. INSTALL HANDLE NUT THRU SQUARE HOLE IN SIDE OF VEHICLE FRAME RAIL AND INSTALL HEX BOLT AND LOCK WASHER THRU REARMOST HOLE (DRILLED IN STEP 4) AS SHOWN, BOTH SIDES.
6. REMOVE M10 FASTENERS TO REATTACH EXHAUST HANGER AND LOAD LEVELING COMPRESSOR, AND REINSTALL FASTENERS.  
NOTE: ON AWD MODELS, IT WILL BE NECESSARY TO PASS EXHAUST HANGER THRU 3" LONG SLOT IN SIDE BRACKET AND USE (2) 1/4" SPACER BLOCKS, AS SHOWN IN FIGURE 2 AND FIGURE 3, TO REATTACH EXHAUST HANGER BRACKET.  
TIGHTEN ALL M6 CL8.8 FASTENERS TO 5 LB-FT.  
TIGHTEN ALL 1/2 GR5 FASTENERS TO 75 LB-FT.  
TIGHTEN ALL M10 CL9.8 FASTENERS TO 42 LB-FT.



USE ONLY THE DRAWBAR SHOWN FOR CORRECT BUMPER CLEARANCE AND HEIGHT.  
DRAWBAR MUST BE USED IN THE RISE POSITION ONLY.

THIS PRODUCT COMPLIES WITH SAFETY SPECIFICATIONS AND REQUIREMENTS FOR CONNECTING DEVICES AND TOWING SYSTEMS OF THE STATE OF NEW YORK AND V.E.S.C. REGULATION V-5.

APPROX WEIGHT (LB.)  
18

FASTENER KIT  
F24721

NOTE: Check hitch frequently, making sure all fasteners and ball are properly tightened. If hitch is removed, plug all holes in trunk pan or other body panels to prevent entry of water and exhaust fumes. A hitch or ball which has been damaged should be removed and replaced. Observe safety precautions when working beneath a vehicle and wear eye protection. Follow car maker's specs for maximum trailer weight and tongue weight. Do not cut access or attachment holes with a torch.

**TOWING PRODUCTS**

Canton, Michigan  
Elkhart, Indiana