

# INSTALLATION INSTRUCTIONS

VEHICLE

HITCH NO.

 TOYOTA CAMRY  
 TOYOTA SOLARA

 60863  
 24715  
 77035

 2000 LB MAX GROSS TRAILER WT  
 200 LB MAX TONGUE WEIGHT  
 DO NOT EXCEED TOWING VEHICLE RATINGS

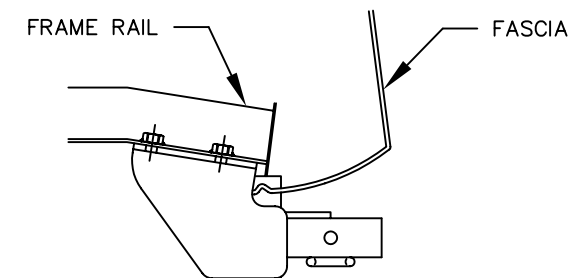
## EQUIPMENT REQUIRED:

WIRING ACCESS LOCATION: PC3, PC4

DRILL BITS: NONE

HITCH REQUIRES 1/2" PIN AND CLIP

WRENCHES: (TIGHTEN ALL FASTENERS WITH TORQUE WRENCH) 17mm



HITCH SHOWN IN PROPER POSITION

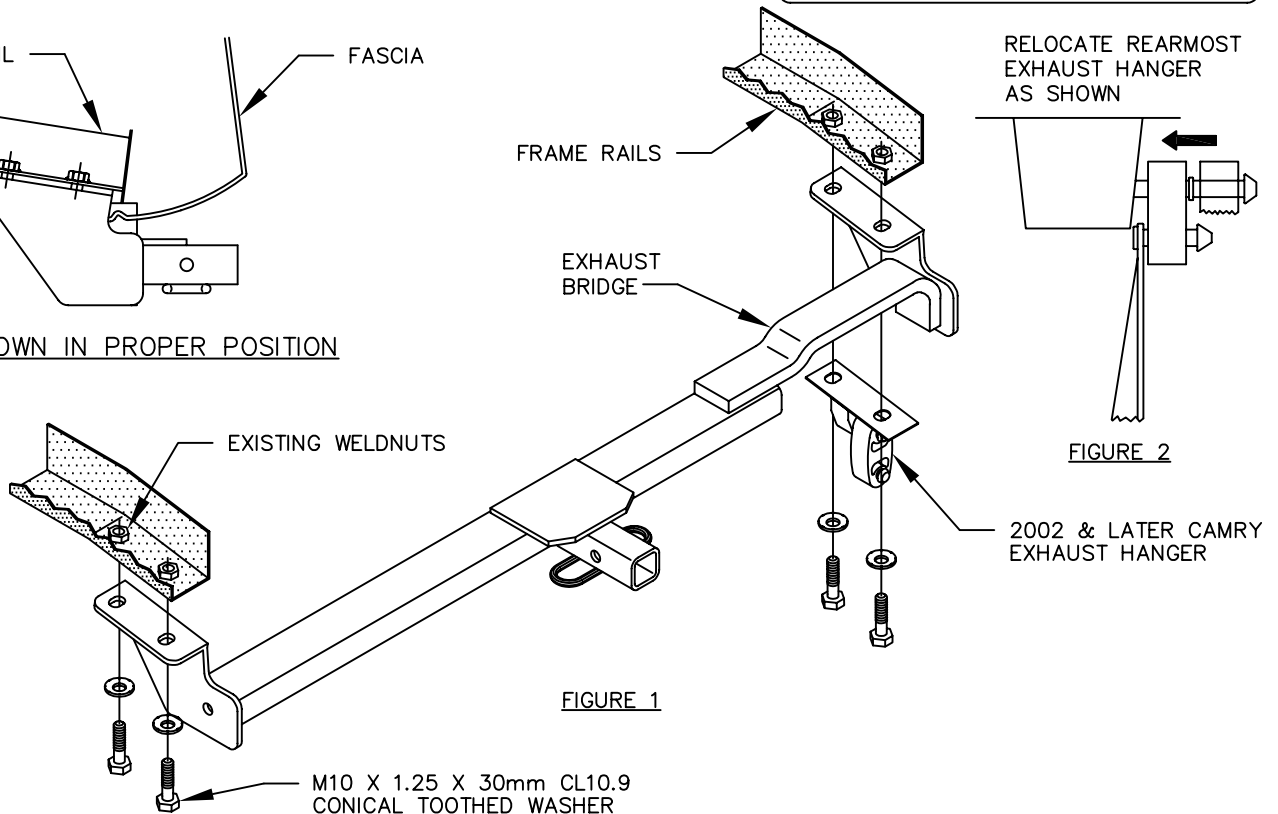
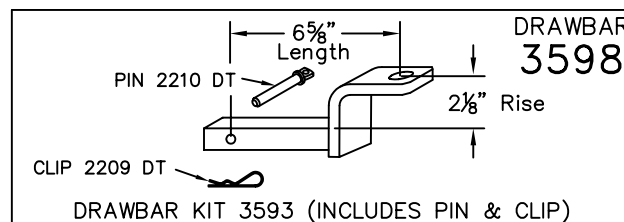


FIGURE 2

- ON 2002 AND LATER CAMRY MODELS, LOWER REAR EXHAUST HANGER, LOCATE HITCH BETWEEN EXHAUST HANGER AND FRAME.
- RAISE HITCH INTO POSITION AND INSTALL FASTENERS AS SHOWN IN FIGURE 1.
- IF EXHAUST BRIDGE INTERFERES WITH LOWER CORNER OF VEHICLE END PANEL FOLD END PANEL UP TO CLEAR.
- ON SOLARA MODELS RELOCATE REAR MOST EXHAUST HANGER AS SHOWN IN FIGURE 2.

TIGHTEN ALL M10 CL10.9 FASTENERS TO 53 LB.-FT.



USE ONLY THE DRAWBAR SHOWN FOR CORRECT BUMPER CLEARANCE AND HEIGHT.  
 DRAWBAR MUST BE USED IN THE RISE POSITION ONLY.

THIS PRODUCT COMPLIES WITH SAFETY SPECIFICATIONS AND REQUIREMENTS FOR CONNECTING DEVICES AND TOWING SYSTEMS OF THE STATE OF NEW YORK AND V.E.S.C. REGULATION V-5.

APPROX WEIGHT (LB.)

25

FASTENER KIT

F24715

NOTE: Check hitch frequently, making sure all fasteners and ball are properly tightened. If hitch is removed, plug all holes in trunk pan or other body panels to prevent entry of water and exhaust fumes. A hitch or ball which has been damaged should be removed and replaced. Observe safety precautions when working beneath a vehicle and wear eye protection. Follow car maker's specs for maximum trailer weight and tongue weight. Do not cut access or attachment holes with a torch.

**TOWING PRODUCTS**  
 Plymouth, Michigan