

INSTALLATION INSTRUCTIONS

EQUIPMENT REQUIRED:

WIRING ACCESS LOCATION: PC3, PC4

DRILL BITS: NONE

HITCH REQUIRES 1/2" PIN AND CLIP

WRENCHES: (TIGHTEN ALL FASTENERS WITH TORQUE WRENCH) 14mm, 17mm, 7/8

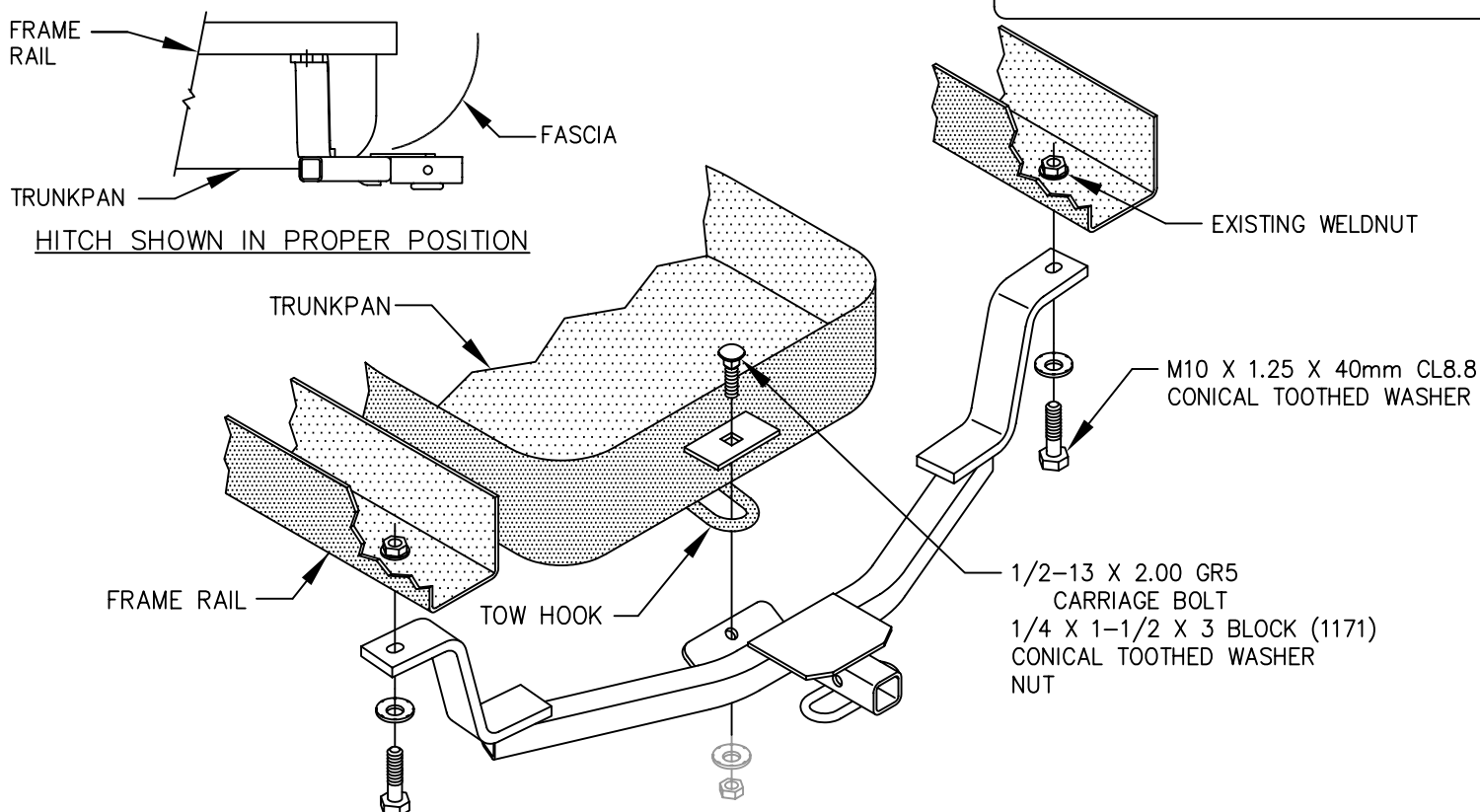
VEHICLE

HYUNDAI SONATA

HITCH NO.

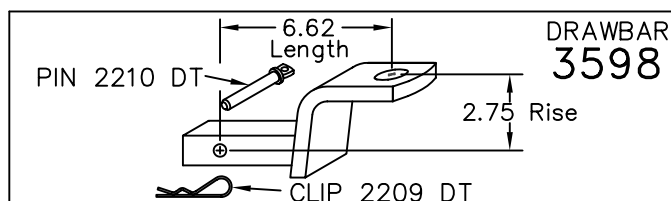
24713
77030
60861

2000 LB MAX GROSS TRAILER WT
200 LB MAX TONGUE WEIGHT
DO NOT EXCEED TOWING VEHICLE RATINGS



1. REMOVE TWO (2) EXISTING BOLTS FROM FRAME.
2. INSTALL CARRIAGE BOLT & BLOCK (1171) THRU TOW HOOK AS SHOWN ABOVE.
3. RAISE HITCH INTO POSITION AND INSTALL TWO (2) M10 BOLTS AND CONICAL TOOTHED WASHERS.
4. INSTALL CONICAL TOOTHED WASHER & NUT ON CARRIAGE BOLT.

TIGHTEN ALL M10 CL8.8 FASTENERS TO 38 LB-FT.
TIGHTEN ALL 1/2 GR5 FASTENERS TO 75 LB-FT.



USE ONLY THE DRAWBAR SHOWN FOR CORRECT BUMPER CLEARANCE AND HEIGHT.
DRAWBAR MUST BE USED IN THE RISE POSITION ONLY.

THIS PRODUCT COMPLIES WITH SAFETY SPECIFICATIONS AND REQUIREMENTS FOR CONNECTING DEVICES AND TOWING SYSTEMS OF THE STATE OF NEW YORK AND V.E.S.C. REGULATION V-5.

APPROX WEIGHT (LB.)
20

FASTENER KIT
F24713

NOTE: Check hitch frequently, making sure all fasteners and ball are properly tightened. If hitch is removed, plug all holes in trunk pan or other body panels to prevent entry of water and exhaust fumes. A hitch or ball which has been damaged should be removed and replaced. Observe safety precautions when working beneath a vehicle and wear eye protection. Follow car maker's specs for maximum trailer weight and tongue weight. Do not cut access or attachment holes with a torch.

TOWING PRODUCTS
Plymouth, Michigan