

# INSTALLATION INSTRUCTIONS

EQUIPMENT REQUIRED: PHILLIPS SCREWDRIVER,  
16 GAGE MECHANIC WIRE

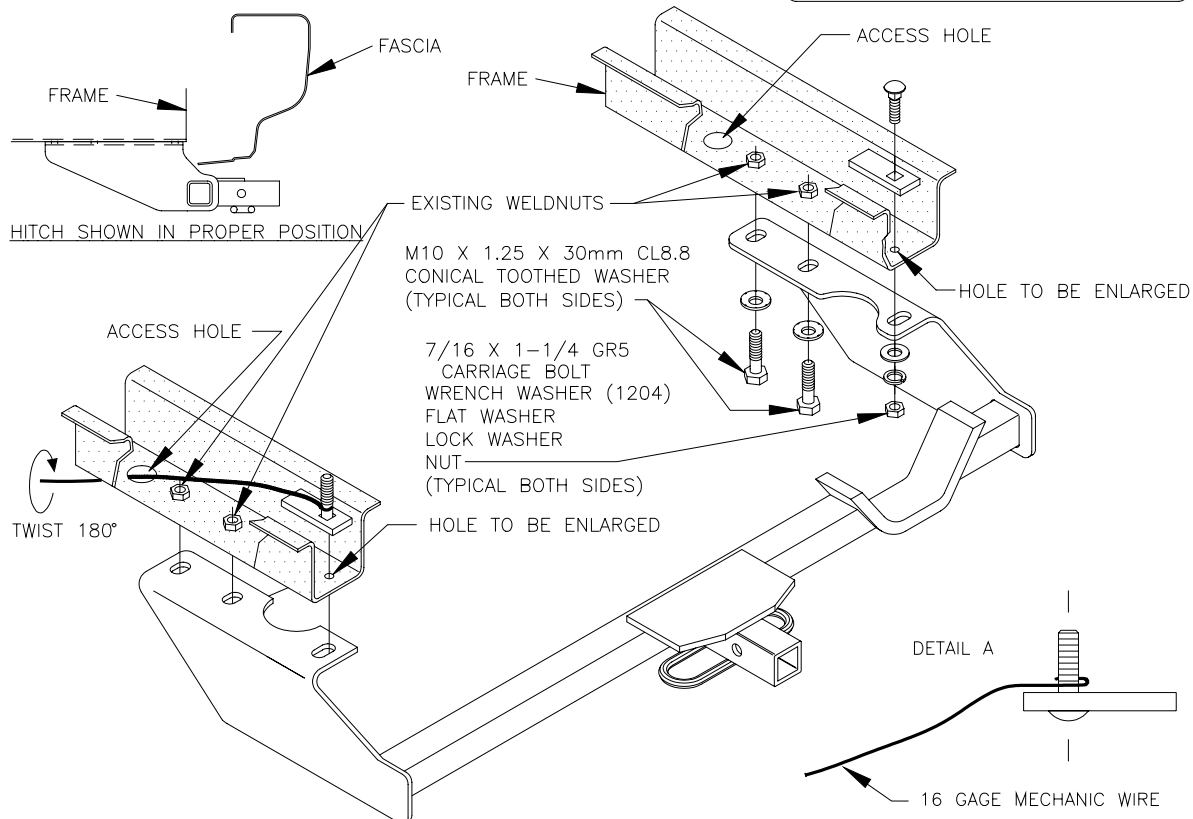
WIRING ACCESS CODE: PC3, PC4

DRILL BITS: 1/2"

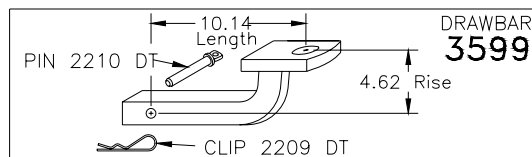
HITCH REQUIRES 1/2" PIN AND CLIP

WRENCHES: (TIGHTEN ALL FASTENERS WITH TORQUE WRENCH) 14mm, 17mm, 7/8"

2000 LB MAX GROSS TRAILER WT  
200 LB MAX TONGUE WEIGHT  
DO NOT EXCEED TOWING VEHICLE RATINGS



1. REMOVE TWO (2) BOLTS, EACH SIDE, THAT ATTACH VEHICLE TIE-DOWN BRACKETS TO BOTTOM OF FRAME. RETURN TIE-DOWN BRACKETS AND BOLTS TO VEHICLE OWNER FOR REINSTALLATION IF THE HITCH IS REMOVED.
2. USE A PHILLIPS HEAD SCREWDRIVER TO REMOVE THE PLASTIC END CAP LOCATED ON THE BOTTOM OF THE FRAME AT THE REAR OF THE VEHICLE, EACH SIDE. RETURN THESE PLASTIC END CAPS AND PLASTIC FASTENERS TO VEHICLE OWNER FOR REINSTALLATION IF THE HITCH IS REMOVED.
3. POSITION HITCH ON VEHICLE AS SHOWN ABOVE.
4. INSTALL M10 BOLTS AND CONICAL TOOTHED WASHERS THROUGH THE TWO (2) FORWARD HOLES IN HITCH, EACH SIDE, INTO EXISTING WELDNUITS AS SHOWN ABOVE. POSITION HITCH AS FAR REARWARD AS POSSIBLE BEFORE TIGHTENING BOLTS.
5. USE THE MOST REARWARD HOLE IN HITCH AS A TEMPLATE AND ENLARGE EXISTING HOLE IN BOTTOM OF FRAME TO 1/2", EACH SIDE.
6. REMOVE RUBBER PLUG FROM ACCESS HOLE IN THE BOTTOM OF THE FRAME (LOCATED APPROX. 6" FORWARD OF SIDE BRACKET), EACH SIDE.
7. INSTALL 16 GAGE MECHANIC WIRE AROUND 7/16 CARRIAGE BOLT AND WRENCH WASHER AS SHOWN IN DETAIL A. INSERT ASSEMBLY THRU ACCESS HOLE AND FEED ASSEMBLY WITH BOLT POINTING UP, TO CLEAR WELDNUITS, TO THE ENLARGED HOLE AT THE END OF THE FRAME. TWIST THE MECHANIC WIRE ASSEMBLY 180° PLACING BOLT THRU ENLARGED HOLE. LOOSELY SECURE WITH WASHERS AND NUT. PULL MECHANIC WIRE LOOSE AND REMOVE.
8. TIGHTEN ALL NUTS AND BOLTS TO TORQUE SPECIFICATIONS BELOW. REPLACE RUBBER PLUGS REMOVED IN STEP 6.  
TIGHTEN M10 CL8.8 FASTENERS TO 38 LB.-FT.  
TIGHTEN 7/16 GR5 FASTENERS TO 50 LB.-FT.



USE ONLY THE DRAWBAR SHOWN FOR CORRECT BUMPER CLEARANCE AND HEIGHT.  
DRAWBAR MUST BE USED IN THE RISE POSITION ONLY.

THIS PRODUCT COMPLIES WITH SAFETY SPECIFICATIONS AND REQUIREMENTS FOR CONNECTING DEVICES AND TOWING SYSTEMS OF THE STATE OF NEW YORK AND V.E.S.C. REGULATION V-5.

APPROX WEIGHT (LB.)	FASTENER KIT
33	01130-719

NOTE: Check hitch frequently, making sure all fasteners and ball are properly tightened. If hitch is removed, plug all holes in trunk pan or other body panels to prevent entry of water and exhaust fumes. A hitch or ball which has been damaged should be removed and replaced. Observe safety precautions when working beneath a vehicle and wear eye protection. Follow car maker's specs for maximum trailer weight and tongue weight. Do not cut access or attachment holes with a torch.

**TOWING PRODUCTS**  
Canton, Michigan  
Elkhart, Indiana