

INSTALLATION INSTRUCTIONS

EQUIPMENT REQUIRED: ADJUSTABLE WRENCH, TIN SNIPS
 WIRING ACCESS LOCATION: PC3 & PC4

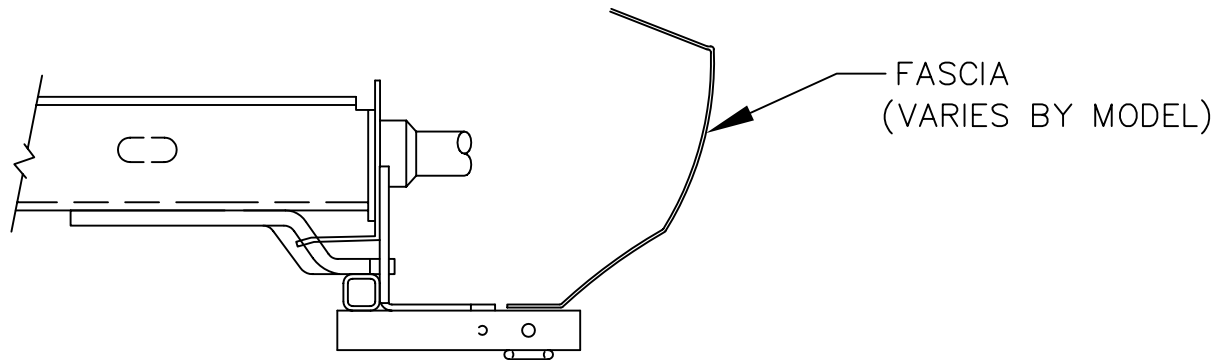
DRILL BITS: NONE

HITCH REQUIRES 1/2" PIN AND CLIP

WRENCHES: (TIGHTEN ALL FASTENERS WITH TORQUE WRENCH) 3/4, 10mm, 13mm, 15mm

VEHICLE
 FORD TAURUS
 MERCURY SABLE
 LINCOLN CONTINENTAL

2000 LB MAX GROSS TRAILER WT
 200 LB MAX TONGUE WEIGHT
 DO NOT EXCEED TOWING VEHICLE RATINGS



HITCH SHOWN IN PROPER POSITION

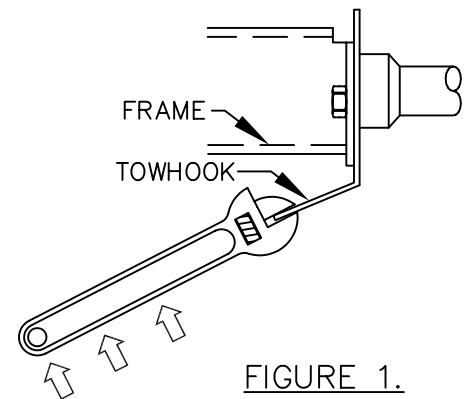


FIGURE 1.

86-95 TAURUS AND SABLE 88 & LATER CONTINENTAL

ROTATE TOWHOOK 3/4" UPWARD OUT OF THE WAY OF THE HITCH WITH AN ADJUSTABLE WRENCH.

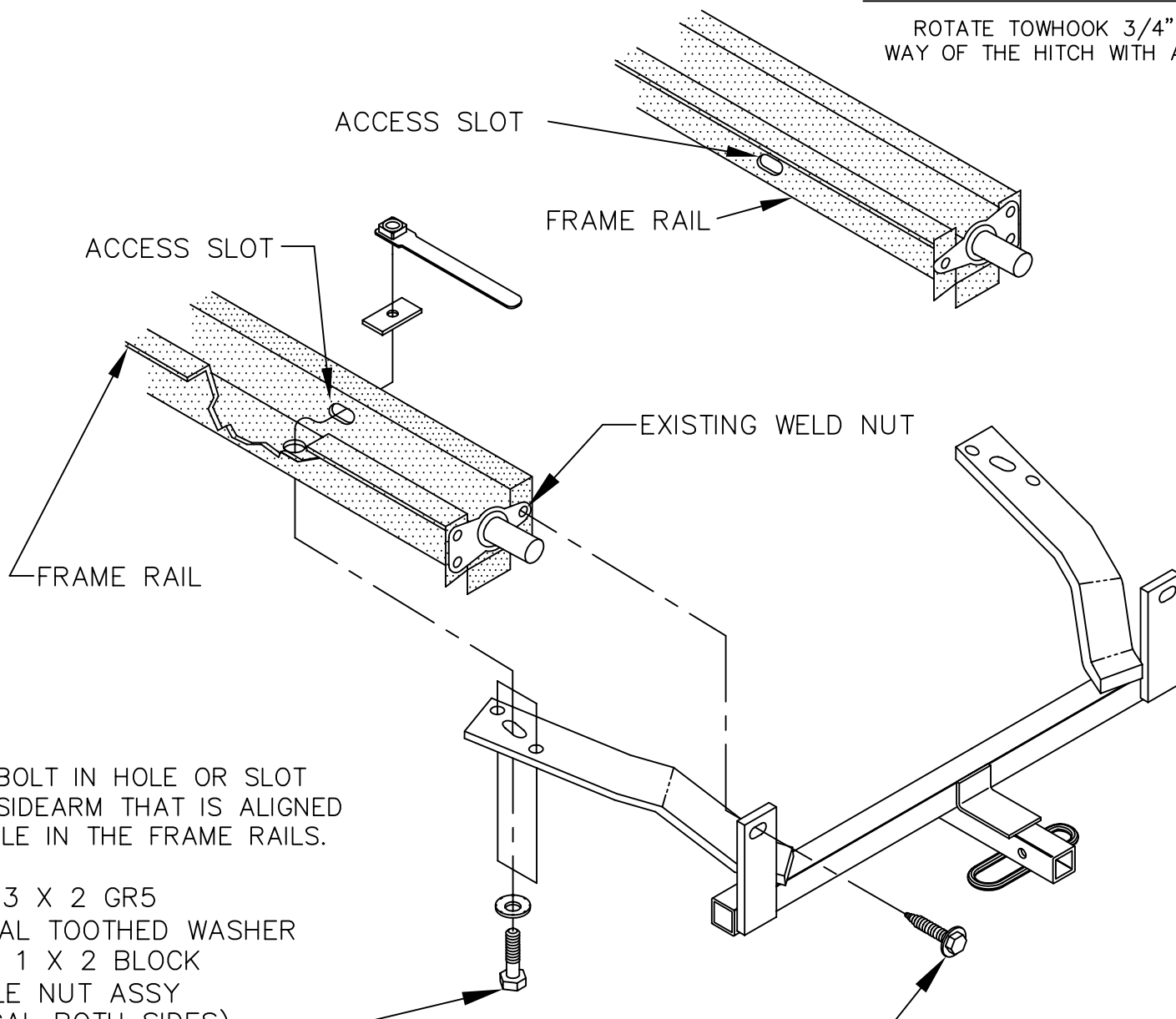


FIGURE 2.

NOTE:
 INSERT BOLT IN HOLE OR SLOT
 IN THE SIDEARM THAT IS ALIGNED
 WITH HOLE IN THE FRAME RAILS.

- 1/2-13 X 2 GR5
- CONICAL TOOTHED WASHER
- 1/4 X 1 X 2 BLOCK
- HANDLE NUT ASSY
- (TYPICAL BOTH SIDES)

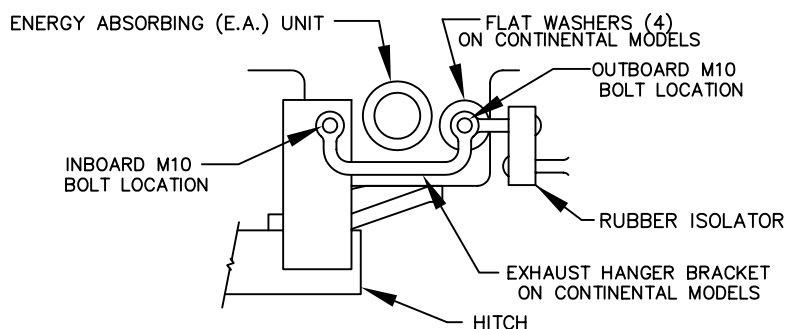
THIS PRODUCT COMPLIES WITH SAFETY SPECIFICATIONS AND REQUIREMENTS FOR CONNECTING DEVICES AND TOWING SYSTEMS OF THE STATE OF NEW YORK AND V.E.S.C. REGULATION V-5.

APPROX WEIGHT (LB.)	FASTENER KIT
27.0	F24699

NOTE: Check hitch frequently, making sure all fasteners and ball are properly tightened. If hitch is removed, plug all holes in trunk pan or other body panels to prevent entry of water and exhaust fumes. A hitch or ball which has been damaged should be removed and replaced. Observe safety precautions when working beneath a vehicle and wear eye protection. Follow car maker's specs for maximum trailer weight and tongue weight. Do not cut access or attachment holes with a torch.

TOWING PRODUCTS
 Plymouth, Michigan

FIGURE 3.

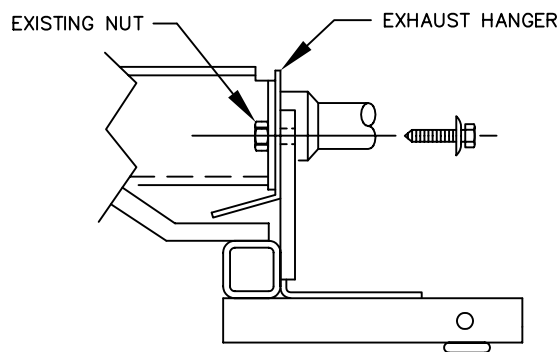


88-94 CONTINENTALS WITH DUAL EXHAUST
TAURUS SHO WITH DUAL EXHAUST

HITCH & (4) FLAT WASHERS ARE SHOWN BETWEEN
E.A. AND EXHAUST HANGER BRACKET

VEHICLE

FIGURE 4.



95 & LATER CONTINENTALS

NOTE: SOME PRE-1987 TAURUS AND SABLE MODELS HAVE A HEAT SHIELD THAT PARTIALLY COVERS THE HITCH ATTACHING HOLE. REMOVE TWO (2) RIVETS AND TRIM HEAT SHIELD FOR PROPER CLEARANCE. SANDWICH SHIELD BETWEEN HITCH ARM AND VEHICLE FRAME, AND INSTALL HITCH AS DESCRIBED BELOW.

1. DETACH RUBBER ISOLATOR FROM EXHAUST HANGER BRACKET.
NOTE: 86-95 MODELS USE ADJUSTABLE WRENCH TO BEND TOWHOOK UPWARD APPROXIMATELY 3/4" AS SHOWN IN FIGURE 1.
NOTE: ON 96 AND LATER MODELS IF TOWHOOKS ARE PRESENT ON BUMPER, REMOVE AND REINSTALL FASTENERS.
 2. REMOVE TWO (2) INBOARD E.A BOLTS, ONE (1) PER SIDE FROM E.A. UNIT (SEE FIGURE 2), DISCARD BOLTS.
NOTE: 88-94 CONTINENTALS AND TAURUS SHO WITH DUAL EXHAUST NEED TO HAVE INBOARD & OUTBOARD BOLTS REMOVED AND DISCARDED.
 3. POSITION HITCH ON VEHICLE AND ATTACH WITH TWO (2) M10 BOLTS, ON THE INBOARD SIDE OF THE E.A., ONE PER SIDE, AS SHOWN IN FIGURES 2 AND 4.
NOTE: IN ADDITION, ON 88-94 CONTINENTALS AND TAURUS SHO WITH DUAL EXHAUST, REINSTALL EXHAUST HANGER BRACKETS WITH FOUR (4) 1/2" WASHERS PLACED ON EACH OUTBOARD SIDE AS SPACERS AND M10 BOLTS, ONE (1) PER SIDE, SEE FIG. 3.
- FORWARD ATTACHMENT-NO DRILLING REQUIRED; USE EXISTING HOLES IN VEHICLE FRAME.
4. INSERT BLOCK AND HANDLE NUT THROUGH ACCESS SLOT. INSTALL HEX BOLT AND CONICAL TOOTHED WASHER THROUGH FRAME AND BLOCK INTO HANDLE NUT AS SHOWN IN FIGURE 2. ENSURE THAT HANDLE NUT CAN BE EASILY THREADED ONTO BOLT BEFORE INSTALLATION.
 5. TIGHTEN BOLTS TO SPECIFIED TORQUE.
 6. REATTACH RUBBER ISOLATOR TO EXHAUST HANGER BRACKET.

TIGHTEN ALL M10 FASTENERS TO 42 LB.-FT.
TIGHTEN ALL 1/2 GR5 FASTENERS TO 50 LB.-FT.

STANDARD DRAWBAR	OPTIONAL DRAWBAR (SOLD SEPERATELY) FOR 1999 AND EARLIER MODELS ONLY
<p>DRAWBAR KIT 3592</p>	<p>DRAWBAR KIT 3593</p>

USE ONLY THE DRAWBAR SHOWN FOR CORRECT BUMPER CLEARANCE AND HEIGHT.
DRAWBAR MUST BE USED IN THE RISE POSITION ONLY.

THIS PRODUCT COMPLIES WITH SAFETY SPECIFICATIONS AND REQUIREMENTS FOR CONNECTING DEVICES AND TOWING SYSTEMS OF THE STATE OF NEW YORK AND V.E.S.C. REGULATION V-5.

APPROX WEIGHT (LB.)

NOTE: Check hitch frequently, making sure all fasteners and ball are properly tightened. If hitch is removed, plug all holes in trunk pan or other body panels to prevent entry of water and exhaust fumes. A hitch or ball which has been damaged should be removed and replaced. Observe safety precautions when working beneath a vehicle and wear eye protection. Follow car maker's specs for maximum trailer weight and tongue weight. Do not cut access or attachment holes with a torch.

TOWING PRODUCTS
Plymouth, Michigan