

INSTALLATION INSTRUCTIONS

EQUIPMENT REQUIRED:

WIRING ACCESS LOCATION: SUV5, SUV7

DRILL BITS:

HITCH REQUIRES 1/2" PIN AND CLIP

WRENCHES: (TIGHTEN ALL FASTENERS WITH TORQUE WRENCH) 5/8, 3/4

VEHICLE

JEEP WRANGLER

HITCH NO.

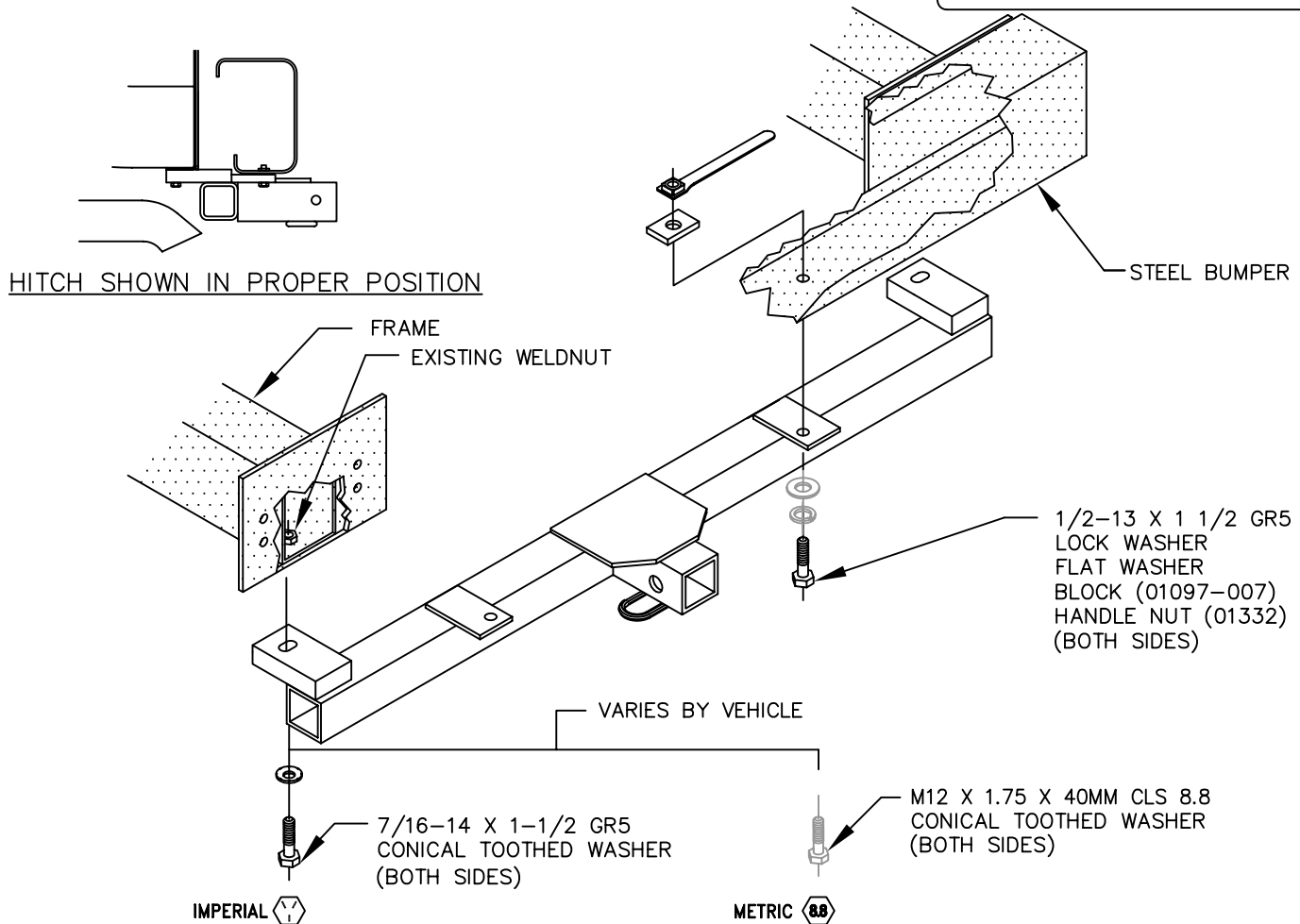
24631

77016

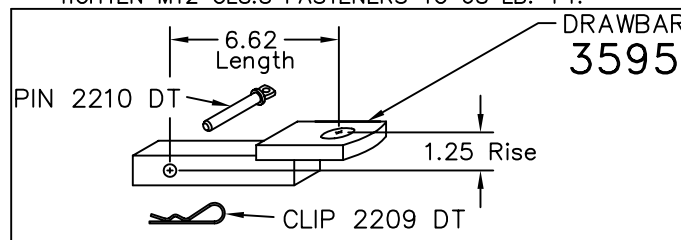
60860

•WILL NOT FIT WITH OPTIONAL ACCESSORY TUBE BUMPER

2000 LB MAX GROSS TRAILER WT
200 LB MAX TONGUE WEIGHT
DO NOT EXCEED TOWING VEHICLE RATINGS



1. REMOVE EXISTING BOLT FROM FRAME/BUMPER ATTACHMENT (ONE FROM EACH SIDE OF VEHICLE).
2. IF VEHICLE IS EQUIPPED, REMOVE TOW HOOK AND RETURN TO CUSTOMER.
3. LIFT HITCH INTO POSITION AS SHOWN. REPLACE BOLTS REMOVED IN STEP ONE WITH 7/16-14 X 1 1/2 BOLTS OR M12 X 1.75 X 40MM BOLTS AS SHOWN. BOLTS REQUIRED VARY BY VEHICLE. INSTALL REMAINING FASTENERS AS SHOWN ABOVE. TIGHTEN 7/16 GR5 FASTENERS TO 50 LB.-FT.
TIGHTEN 1/2 GR5 FASTENERS TO 50 LB.-FT.
TIGHTEN M12 CL8.8 FASTENERS TO 68 LB.-FT.



USE ONLY THE DRAWBAR SHOWN FOR CORRECT BUMPER CLEARANCE AND HEIGHT.
DRAWBAR MUST BE USED IN THE RISE POSITION ONLY.

THIS PRODUCT COMPLIES WITH SAFETY SPECIFICATIONS AND REQUIREMENTS FOR CONNECTING DEVICES AND TOWING SYSTEMS OF THE STATE OF NEW YORK AND V.E.S.C. REGULATION V-5.

APPROX WEIGHT (LB.)
17.0

FASTENER KIT
01130-958

NOTE: Check hitch frequently, making sure all fasteners and ball are properly tightened. If hitch is removed, plug all holes in trunk pan or other body panels to prevent entry of water and exhaust fumes. A hitch or ball which has been damaged should be removed and replaced. Observe safety precautions when working beneath a vehicle and wear eye protection. Follow car maker's specs for maximum trailer weight and tongue weight. Do not cut access or attachment holes with a torch.

TOWING PRODUCTS
Plymouth, Michigan