

# INSTALLATION INSTRUCTIONS

EQUIPMENT REQUIRED:

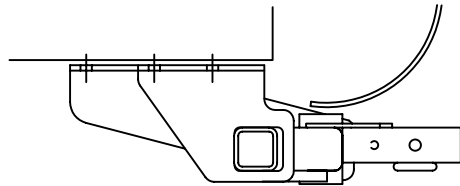
WIRING ACCESS LOCATION: PC3

DRILL BITS:

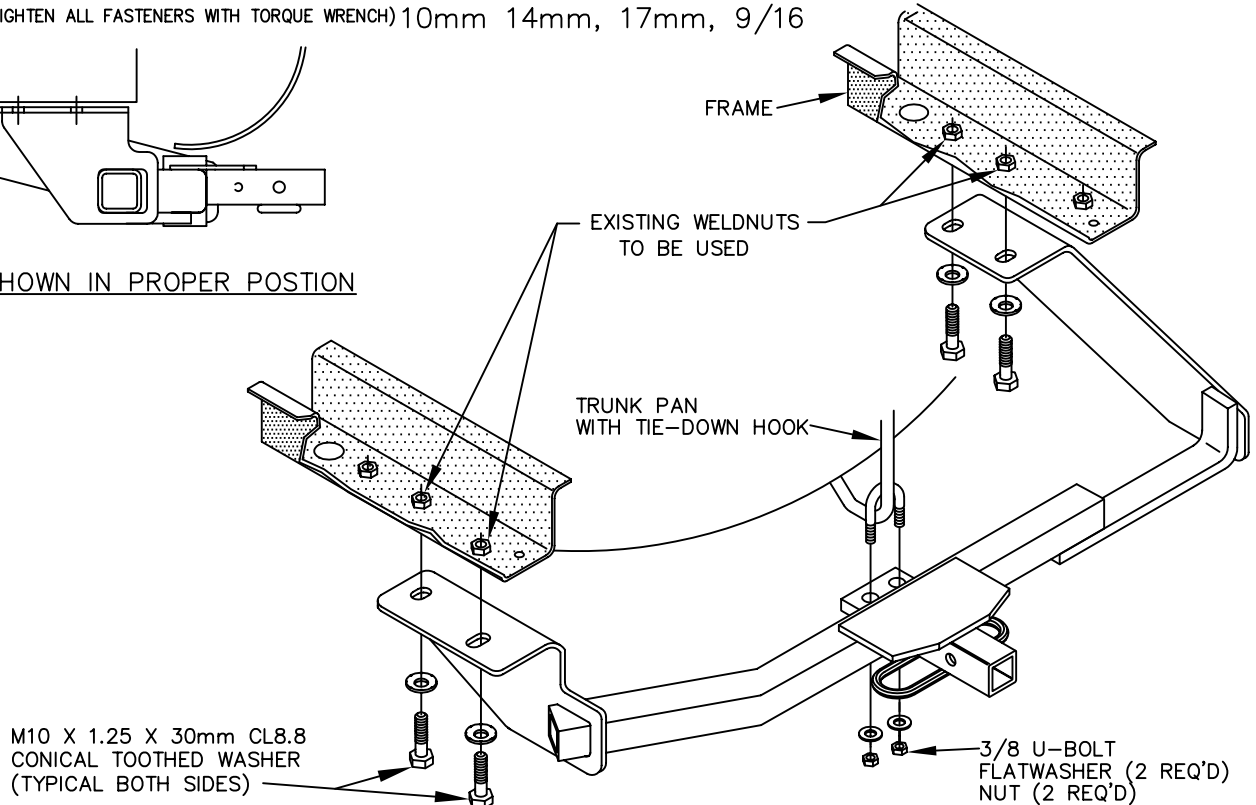
HITCH REQUIRES 1/2" PIN AND CLIP

WRENCHES: (TIGHTEN ALL FASTENERS WITH TORQUE WRENCH) 10mm 14mm, 17mm, 9/16

2000 LB MAX GROSS TRAILER WT  
200 LB MAX TONGUE WEIGHT  
DO NOT EXCEED TOWING VEHICLE RATINGS



HITCH SHOWN IN PROPER POSITION

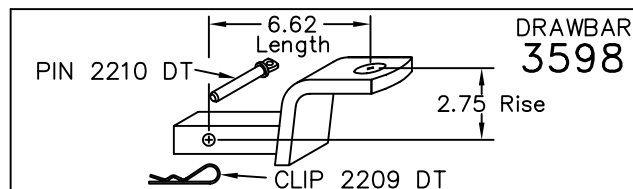


1. REMOVE TWO (2) BOLTS, EACH SIDE, WHICH ATTACH VEHICLE TIE-DOWN BRACKETS TO BOTTOM OF FRAME. RETURN TIE-DOWN BRACKETS AND BOLTS TO VEHICLE OWNER FOR REINSTALLATION IN THE EVENT THE HITCH IS REMOVED.
2. RAISE HITCH INTO POSITION, CENTERING HITCH OVER WELDNUTS AND HOLES ON BOTTOM OF FRAME.
3. INSTALL M10 BOLTS AND 3/8 CONICAL TOOTHED WASHERS THROUGH THE TWO (2) HOLES IN HITCH, EACH SIDE, UP INTO EXISTING WELDNUTS AS SHOWN ABOVE. POSITION HITCH AS FAR REARWARD AS POSSIBLE BEFORE TIGHTENING BOLTS.

**NOTE:** THE FOUR (4) M10 NUTS ARE FOR SHIPPING PURPOSES ONLY AND MAY BE DISCARDED.

4. INSTALL REMAINING 3/8 U-BOLT AND FASTENERS THROUGH TRUNK PAN TIE-DOWN HOOK AND SMALL PLATE ON HITCH AS SHOWN ABOVE.
5. FOR ADDITIONAL EXHAUST CLEARANCE, LOOSEN 6mm BOLT(S) ON TAILPIPE EXTENSION(S) AND ROTATE EXTENSION(S).
6. RETIGHTEN 6mm BOLT(S).

TIGHTEN 3/8 GR2 U-BOLT FASTENERS TO 20 LB.-FT.  
TIGHTEN M10 CL8.8 FASTENERS TO 38 LB.-FT.



USE ONLY THE DRAWBAR SHOWN FOR CORRECT BUMPER CLEARANCE AND HEIGHT.  
DRAWBAR MUST BE USED IN THE RISE POSITION ONLY.

THIS PRODUCT COMPLIES WITH SAFETY SPECIFICATIONS AND REQUIREMENTS FOR CONNECTING DEVICES AND TOWING SYSTEMS OF THE STATE OF NEW YORK AND V.E.S.C. REGULATION V-5.

APPROX WEIGHT (LB.)

29

FASTENER KIT

01130-939

**NOTE:** Check hitch frequently, making sure all fasteners and ball are properly tightened. If hitch is removed, plug all holes in trunk pan or other body panels to prevent entry of water and exhaust fumes. A hitch or ball which has been damaged should be removed and replaced. Observe safety precautions when working beneath a vehicle and wear eye protection. Follow car maker's specs for maximum trailer weight and tongue weight. Do not cut access or attachment holes with a torch.

**TOWING PRODUCTS**  
Plymouth, Michigan