

Installation Instructions

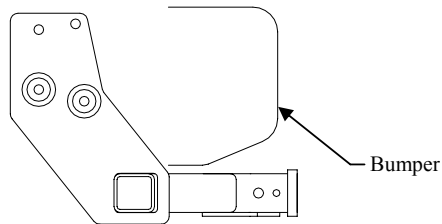
Part Numbers:

Nissan Pathfinder

51046

Infiniti QX4

**Do Not Exceed Lower of Towing Vehicle
Manufacturer's Rating or**



Hitch Shown In Proper Position

Hitch type	Max Gross Trailer WT (LB)	Max Tongue WT (LB)
Weight Distributing	5500 (2497 Kg)	550 (250 Kg)
Weight Carrying Ball Mount	5000 (2270 Kg)	500 (227 Kg)

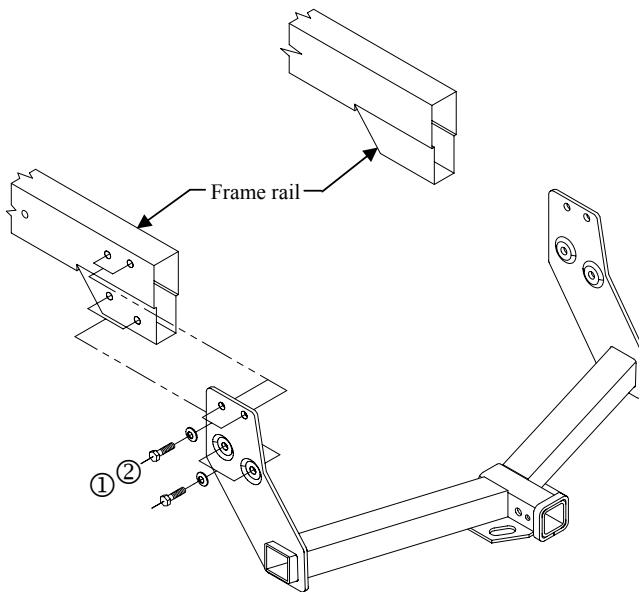
Wiring Access Location: SUV1, SUV2

Equipment Required:

Fastener Kit: K51046

Wrenches: 17mm

Drill Bits: None



①	Qty. (8)	Hex Bolt M12 X 1.25 X 35	②	Qty. (8)	Conical Washer 1/2
---	----------	--------------------------	---	----------	--------------------

1. Remove tow hooks from each frame rail.
2. Raise hitch into position and insert fasteners as shown above.
3. Return fasteners and tow hooks to vehicle owner.

Tighten all M12 CL8.8 fasteners with torque wrench to 68 Lb.-Ft. (92 N*M)

Note: check hitch frequently, making sure all fasteners and ball are properly tightened. If hitch is removed, plug all holes in trunk pan or other body panels to prevent entry of water and exhaust fumes. A hitch or ball which has been damaged should be removed and replaced. Observe safety precautions when working beneath a vehicle and wear eye protection. Do not cut access or attachment holes with a torch.

This product complies with safety specifications and requirements for connecting devices and towing systems of the state of New York, V.E.S.C. Regulation V-5 and SAE J684.