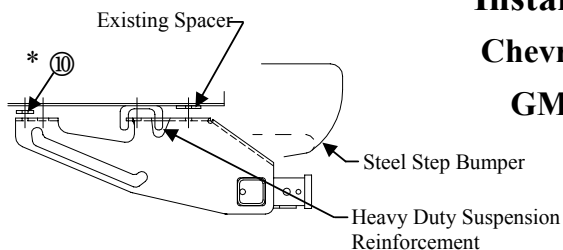


Installation Instructions

Chevrolet Full Size Pickup

GMC Full Size Pickup

Part Numbers:
51021



(All Models)

**Do Not Exceed Lower of Towing Vehicle
Manufacturer's Rating or**

Hitch type	Max Gross Trailer WT (LB)	Max Tongue WT (LB)
Weight Distributing	10,000 (4540 Kg)	1000 (454Kg)
Weight Carrying Ball Mount	5000 (2270 Kg)	500 (227 Kg)

Hitch Shown In Proper Position

For 6 Ft. beds with Optional Heavy Duty Suspension.

Equipment Required:

Fastener Kit: 51021-051

Wrenches: 7/8, 13mm, 18mm, 19mm

Drill Bits: None

Wiring Access Location: PU3

Fasteners typical both sides

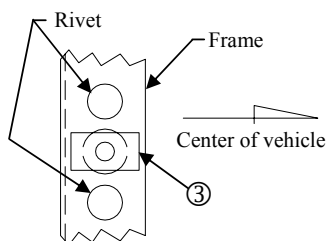
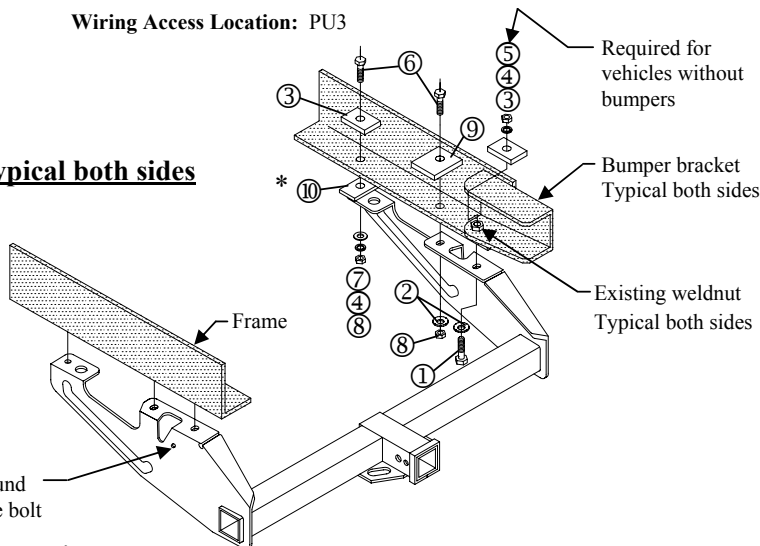


Figure 1.

*** Only used on 6 FT. beds with Heavy Duty Suspension**



①	Qty. (2)	Hex Bolt M12 X 1.75 X 45	⑥	Qty. (4)	Hex Bolt 1/2-13 X 1.75
②	Qty. (4)	Conical Washer 1/2	⑦	Qty. (2)	Flat Washer 1/2
③	Qty. (4)	Spacer .250 X 1.50 X 2.00	⑧	Qty. (4)	Hex Nut 1/2-13
④	Qty. (4)	Lock Washer 1/2	⑨	Qty. (2)	Spacer .25 X 1.50 X 2.00
⑤	Qty. (2)	Hex Nut M12 X 1.75	⑩	Qty. (2)	* Spacer .188 X 1.50 X 2.00

Note: On vehicles without factory bumper, it will be necessary to relocate license plate mounting bracket.

1. Remove and discard M12 hex bolts from end of each frame rail if present.
2. Remove ground wire and ground wire bolt, if present, on driver's side frame rail.
3. Lift receiver into position, locating slots in receiver over weldnuts in vehicle frame.

Note: For vehicles w/o bumper, locate slot in receiver over fore/aft slot near end of frame.

4. Install M12 hex bolt (supplied) and conical washer through receiver into weldnut in vehicle frame.

Note: See illustration for placement of fasteners on vehicles w/o bumper.

5. Install remaining fasteners as shown.
6. Reinstall ground wire and ground wire bolt to hole in side of side bracket.

Note: On 6' bed models, spacer (Item 3) located at forward-most attachment on driver's side may be oriented as shown in Figure 1, if necessary to insure clearance of rivets. Spacer must sit flat on frame.

Tighten all M12 CL10.9 fasteners with torque wrench to 75 Lb.-Ft. (102 N*M)

Tighten all 1/2-13 GR5 fasteners with torque wrench to 75 Lb.-Ft. (102 N*M)

Note: check hitch frequently, making sure all fasteners and ball are properly tightened. If hitch is removed, plug all holes in trunk pan or other body panels to prevent entry of water and exhaust fumes. A hitch or ball which has been damaged should be removed and replaced. Observe safety precautions when working beneath a vehicle and wear eye protection. Do not cut access or attachment holes with a torch.

This product complies with safety specifications and requirements for connecting devices and towing systems of the state of New York, V.E.S.C. Regulation V-5 and SAE J684.