

Equipment Required:

Fastener Kit: 44716F

Wrenches: 18MM, 19MM, 9/16",
Masking Tape, Marking Pencil, Tin Snips,
Torque Wrench, Safety Glasses

Installation Instructions

Part Numbers:

44716

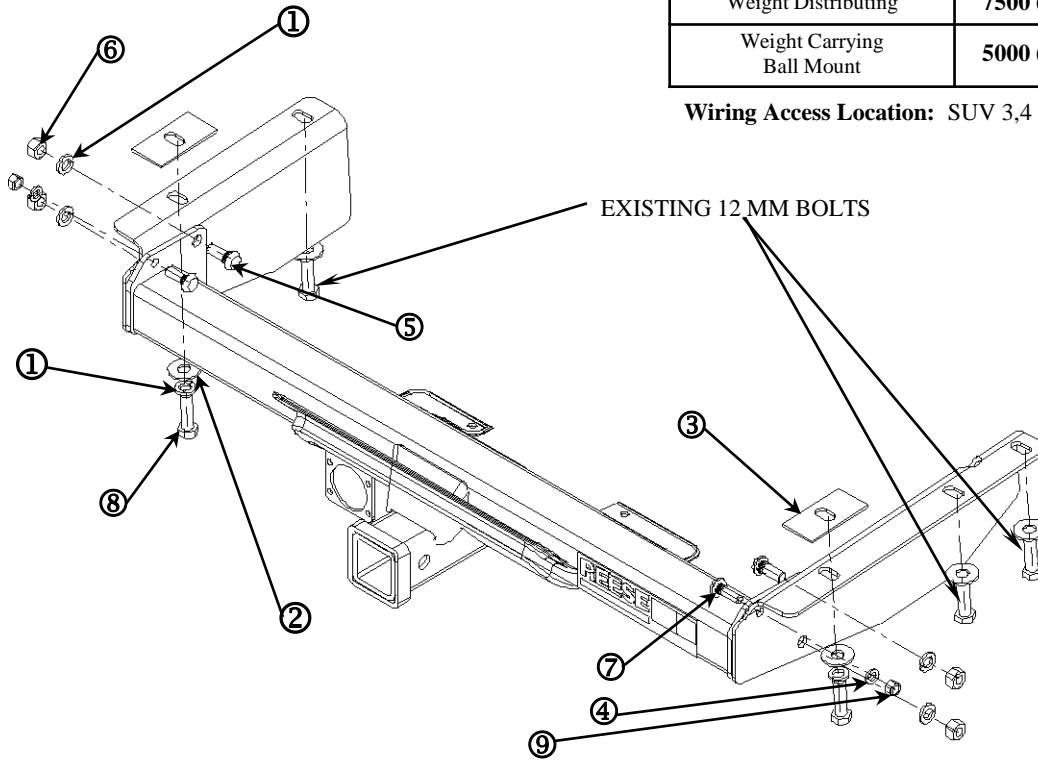
Jeep Grand Cherokee

**Do Not Exceed Lower of Towing Vehicle
Manufacturer's Rating or**

Hitch type	Max Gross Trailer WT (LB)	Max Tongue WT (LB)
Weight Distributing	7500 (3405 Kg)	750 (341 Kg)
Weight Carrying Ball Mount	5000 (2270 Kg)	500 (227 Kg)

Wiring Access Location: SUV 3,4

Accessory Rating	D
------------------	----------



WARNING: DO NOT LUBRICATE THREADS, BOLT FAILURE MAY OCCUR DUE TO OVER TIGHTENING.
WARNING: DO NOT DRILL OR WELD TO THIS HITCH.

①	Qty. (5)	Lockwasher ½" Plated	⑥	Qty. (4)	Nut, Hex ½-13 GR5
②	Qty. (2)	Washer Conical ½"	⑦	Qty. (2)	Bolt; KNL 3/8-16 x 1.25
③	Qty. (2)	Shim Tab	⑧	Qty. (2)	Bolt, HXHD M12 x 1.75 x 35
④	Qty. (2)	Washer, Lock 3/8"	⑨	Qty. (2)	Nut, Hex 3/8-16 GR5
⑤	Qty. (4)	Bolt Knurl ½-13 x1.5 GR5			

1. A piece of plastic will have to be cut out of the bumper cover to install this hitch. Use the template provided to mark the piece to be removed. A plastic trim piece is provided to cover the cutout.
2. Go to the paper template and follow those instructions.
3. Remove the two remaining plastic rivets in the bottom of the plastic bumper cover. Save the rivets.
4. Remove from the both sides of the gas tank shield, the two rear bolts in the bottom of the frame. Remove bolts in fuel tank reinforcing bar, if present. (Early models have no reinforcing bars.)

Tighten all M12 x 1.75 CL9.8 fasteners with torque wrench to 75 Lb.-Ft. (102 N*M)
Tighten all ½-13 GR5 fasteners with torque wrench to 75 Lb.-Ft. (102 N*M)
Tighten all 3/8-16 x 1.25 GR5 fasteners to 30 Lb.-Ft. (41 N*M)

Note: check hitch frequently, making sure all fasteners and ball are properly tightened. If hitch is removed, plug all holes in trunk pan or other body panels to prevent entry of water and exhaust fumes. A hitch or ball which has been damaged should be removed and replaced. Observe safety precautions when working beneath a vehicle and wear eye protection. Do not cut access or attachment holes with a torch.

This product complies with safety specifications and requirements for connecting devices and towing systems of the state of New York, V.E.S.C. Regulation V-5 and SAE J684.

5. Pull the plastic down and put the hitch brackets up against the frame with the large round holes in the brackets going over the remaining bolt heads in the frame. Reinstall the 12 mm bolts that were removed. Install the shim tab between the frame and bracket flange. Then install the 12 mm bolts with the 1/2" lock washers, and 1/2" serrated washers into the rear holes.(Some newer vehicles have a reinforcing bar at the rear between the frame and gas tank.) Use the end of the reinforcing bar instead of the shim tab to space between the frame and the hitch brackets. Leave the bolts loose.
6. Lift the center section up between the brackets and install the (4) 1/2" knurled bolts from the inside with the 1/2" lock washers and 1/2" nuts and (2) 3/8" knurled bolts in top rearmost holes with 3/8" lock washer and 3/8" nut. Tighten until the bolt heads seat against the brackets. Now tighten the bolts in the frame.
7. Torque the 12mm bolts to 75 ft*lb*.
Torque the 1/2" nuts to 75 ft*lb*.
Torque the 3/8" nuts to 30 ft*lb*.
8. Check the fit of the plastic trim piece. Be sure the holes in the trim piece align with the holes in the bumper. Trim a little more if needed.
9. The plastic bumper must be clean before attaching the trim piece. Avoid applying the trim piece at temperatures below 65 deg. The adhesive strips won't work well. Using the supplied cleaner, clean the area of the bumper cover where the trim piece will make contact.
10. Loosely reattach the center two rivets through the trim piece and the bumper cover. Pull the top of the trim piece toward you and remove the tape from the adhesive strips. Push the trim piece firmly against the bumper.
11. Reinstall any remaining rivets in the bottom of the bumper.



Remove these two plastic rivets to apply the cutting template.

Note: check hitch frequently, making sure all fasteners and ball are properly tightened. If hitch is removed, plug all holes in trunk pan or other body panels to prevent entry of water and exhaust fumes. A hitch or ball which has been damaged should be removed and replaced. Observe safety precautions when working beneath a vehicle and wear eye protection. Do not cut access or attachment holes with a torch.

This product complies with safety specifications and requirements for connecting devices and towing systems of the state of New York, V.E.S.C. Regulation V-5 and SAE J684.