

**Ford Ranger**

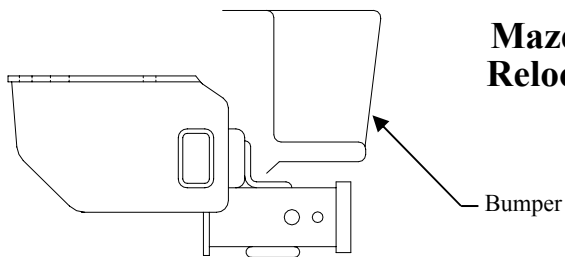
**51032**

**Mazda B2300, B3000, & B4000**

**44101**

**Relocation of spare tire bracket is not required**

**Do Not Exceed Lower of Towing Vehicle Manufacturer's Rating or**



Hitch type	Max Gross Trailer WT (LB)	Max Tongue WT (LB)
Weight Distributing	<b>5000 (2270 Kg)</b>	<b>500 (227 Kg)</b>
Weight Carrying Ball Mount	<b>3500 (1589 Kg)</b>	<b>300 (136 Kg)</b>

**Hitch Shown In Proper Position**

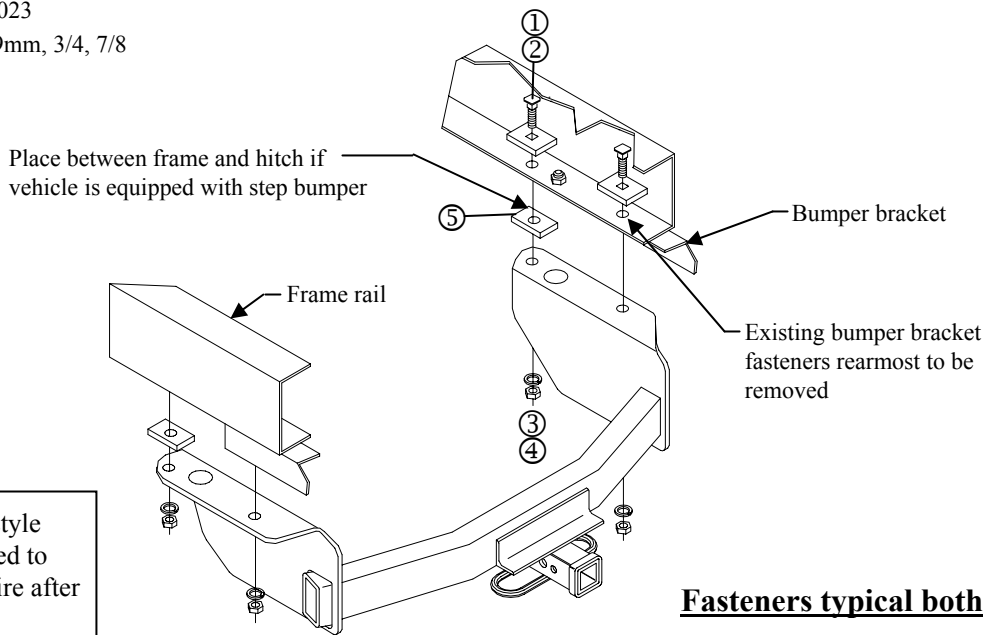
**Wiring Access Location: PC1, PC2**

**Equipment Required:**

**Fastener Kit:** 01131-023

**Wrenches:** 18mm, 19mm, 3/4, 7/8

**Drill Bits:** 1/2"



97 and Prior Models

**Note:** 19mm open end style wrench must be purchased to allow removal of spare tire after hitch installation,

①	Qty. (4)	Carriage Bolt 1/2-13 X 1.75	④	Qty. (4)	Hex Nut 1/2-13
②	Qty. (4)	Block .25 X 1.00 X 2.00	⑤	Qty. (2)	Block .19 X 1.00 X 2.00
③	Qty. (4)	Lock Washer 1/2			

- For vehicles with step bumper, remove rearmost bumper bracket bolt and j-nut (both sides).
- Position hitch on vehicle, sandwiching bumper bracket (if present) between hitch and vehicle frame, install rearmost fasteners.
- Using hitch as template drill two (2) 1/2 holes into frame at forward end of hitch.  
**Note:** On some models holes may already exist.
- Install remaining fasteners as shown. For vehicles with step bumper, place block (Item 5) between frame and side brackets at forward attachment, as shown.

Tighten all 1/2 GR5 fasteners with torque wrench to 75 Lb.-Ft. (102 N\*M)

Note: check hitch frequently, making sure all fasteners and ball are properly tightened. If hitch is removed, plug all holes in trunk pan or other body panels to prevent entry of water and exhaust fumes. A hitch or ball which has been damaged should be removed and replaced. Observe safety precautions when working beneath a vehicle and wear eye protection. Do not cut access or attachment holes with a torch.

This product complies with safety specifications and requirements for connecting devices and towing systems of the state of New York, V.E.S.C. Regulation V-5 and SAE J684.