

**Installation Instructions  
Chevrolet Blazer,  
Chevrolet TrailBlazer,  
GMC Envoy, GMC Jimmy,  
Oldsmobile Bravada**

**Do Not Exceed Lower of Towing Vehicle  
Manufacturer's Rating or**

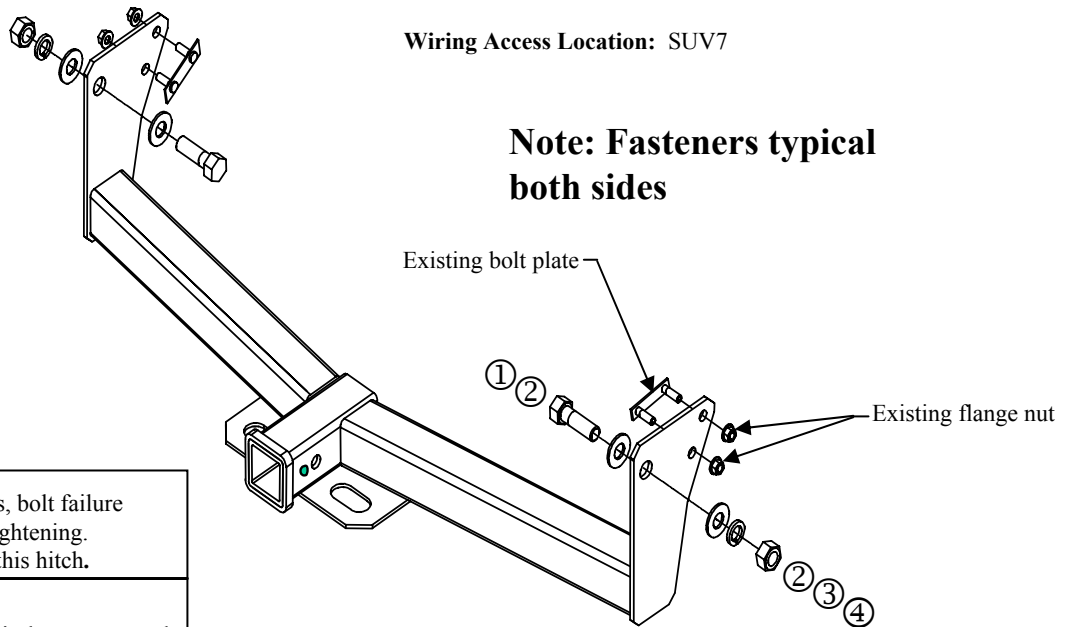
Hitch type	Max Gross Trailer WT (LB)	Max Tongue WT (LB)
Weight Distributing	<b>6000 (2724 Kg)</b>	<b>600 (272 Kg)</b>
Weight Carrying Ball Mount	<b>4000 (1816 Kg)</b>	<b>400 (182 Kg)</b>

**Equipment Required:**

- Fastener Kit:** F51031
- Wrenches:** 1-1/8, 18mm
- Drill Bits:** None

**Wiring Access Location:** SUV7

**Note: Fasteners typical both sides**



**Warning:** Do Not lubricate threads, bolt failure may occur due to over tightening.

**Warning:** Do Not drill or weld to this hitch.

**Important notes**

Use only Towing Products supplied or approved bolts, nuts, and washers to install this hitch.

①	Qty. (2)	Hex Bolt 3/4-10 X 2.00	③	Qty. (2)	Lock Washer 3/4
②	Qty. (4)	Flat Washer 3/4	④	Qty. (2)	Hex Nut 3/4-10

**98-CURRENT VEHICLES**

1. Spare tire may need to be loosened for hitch installation.
2. Remove the two forward 12mm nuts that hold the bumper bracket to the frame. These are above the leaf springs. Remove the bolts. Repeat for the other side. Do not remove the rear two bolts, the bumper will fall.
3. Lift the receiver up along the outside of the frame and bumper brackets. Insert 3/4" hex head bolts with flat washers through the holes in the side of the frame. See diagram above. Install 3/4" flat washer, 3/4" lock washer, and 3/4" nut.
4. Reinstall the factory bolts and nuts through the frame and receiver brackets. See diagram above.
5. Torque all Fasteners to the specification listed
6. Retighten the spare tire

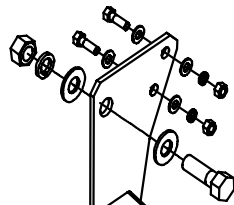
Tighten all M12 fasteners with torque wrench to 75 Lb.-Ft. (102 N\*M)

Tighten all 3/4-10 fasteners with torque wrench to 200 Lb.-Ft. (271 N\*M)

Note: check hitch frequently, making sure all fasteners and ball are properly tightened. If hitch is removed, plug all holes in trunk pan or other body panels to prevent entry of water and exhaust fumes. A hitch or ball which has been damaged should be removed and replaced. Observe safety precautions when working beneath a vehicle and wear eye protection. Do not cut access or attachment holes with a torch.

This product complies with safety specifications and requirements for connecting devices and towing systems of the state of New York, V.E.S.C. Regulation V-5 and SAE J684.

**Installation Instructions**  
**Chevrolet Blazer,**  
**GMC Jimmy,**  
**Oldsmobile Bravada**



**Do Not Exceed Lower of Towing Vehicle  
 Manufacturer's Rating or**

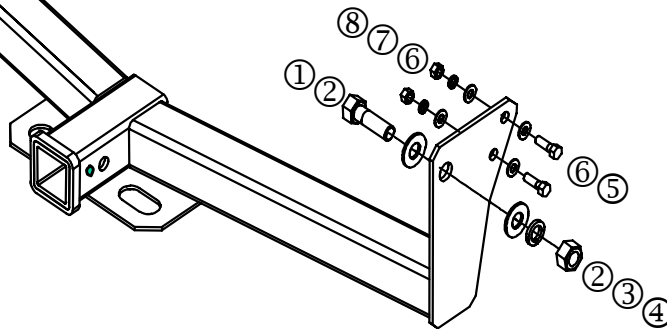
Hitch type	Max Gross Trailer WT (LB)	Max Tongue WT (LB)
Weight Distributing	<b>6000 (2724 Kg)</b>	<b>600 (272 Kg)</b>
Weight Carrying Ball Mount	<b>4000 (1816 Kg)</b>	<b>400 (182 Kg)</b>

**Note: Fasteners typical both sides**

**Warning:** Do Not lubricate threads, bolt failure may occur due to over tightening.  
**Warning:** Do Not drill or weld to this hitch.

**Important notes**

Use only Towing Products supplied or approved bolts, nuts, and washers to install this hitch.



①	Qty. (2)	Hex Bolt 3/4-10 X 2.00	⑤	Qty. (4)	Bolt M12 X 1.75 X 40
②	Qty. (4)	Flat Washer 3/4	⑥	Qty. (8)	Flat Washer 1/2
③	Qty. (2)	Lock Washer 3/4	⑦	Qty. (4)	Lock Washer 1/2
④	Qty. (2)	Hex Nut 3/4-10	⑧	Qty. (4)	Nut M12 X 1.75

**95-97 VEHICLES**

**NOTE:** You may have to loosen the bumper brackets and spread them apart to get the hitch installed if the holes don't line up. There are five bolts per bumper bracket.

1. Spare tire may need to be loosened for hitch installation.
2. Lift the hitch up along the outside of the frame. Insert the 3/4" hex head bolts with flat washers through the side of the frame. Install 3/4" flat washers, lock washers, and nuts on the bolts. SEE DIAGRAM ABOVE.
3. Insert 12mm bolts with flat washers through the remaining holes. Install flat washer, lock washers, and nuts on the bolts. SEE DIAGRAM ABOVE.
4. Tighten the bolts evenly so the hitch remains centered on the vehicle.
5. Torque all Fasteners to the specification listed
6. Retighten spare tire and bumper if they were loosened.

Tighten all M12 fasteners with torque wrench to 75 Lb.-Ft. (102 N\*M)  
 Tighten all 3/4-10 fasteners with torque wrench to 200 Lb.-Ft. (271 N\*M)

Note: check hitch frequently, making sure all fasteners and ball are properly tightened. If hitch is removed, plug all holes in trunk pan or other body panels to prevent entry of water and exhaust fumes. A hitch or ball which has been damaged should be removed and replaced. Observe safety precautions when working beneath a vehicle and wear eye protection. Do not cut access or attachment holes with a torch.

This product complies with safety specifications and requirements for connecting devices and towing systems of the state of New York, V.E.S.C. Regulation V-5 and SAE J684.