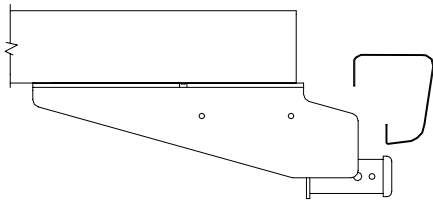


**Chevrolet Astro Van
GMC Safari Van
-Extended Body**

51029

44010



**Do Not Exceed Lower of Towing Vehicle
Manufacturer's Rating or**

Hitch type	Max Gross Trailer WT (LB)	Max Tongue WT (LB)
Weight Distributing	6000 (2724 Kg)	600 (272 Kg)
Weight Carrying Ball Mount	3500 (1589 Kg)	300 (136 Kg)

Hitch Shown In Proper Position

Equipment Required:

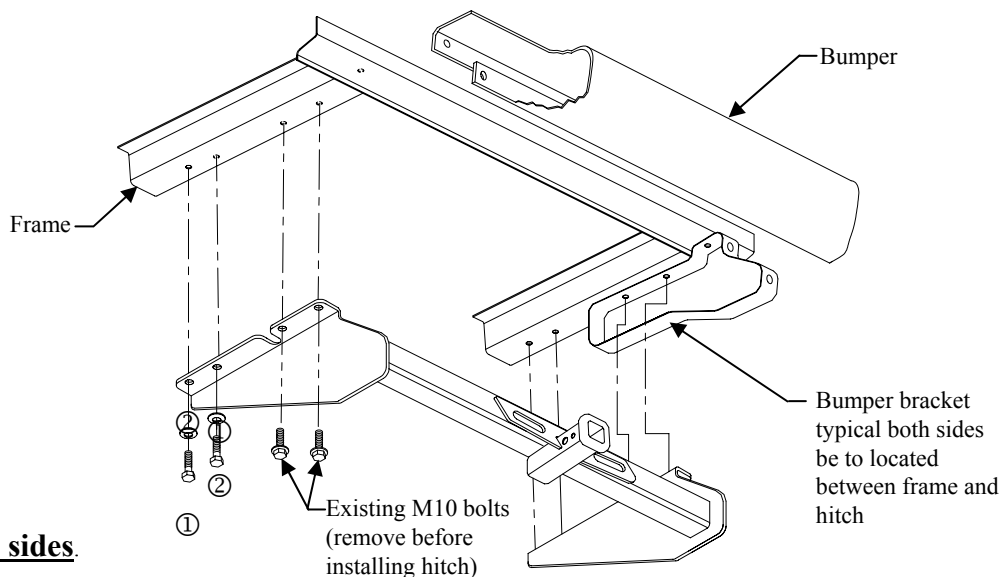
Fastener Kit: F51029

Wrenches: 15mm, 17mm

Drill Bits: None

Wiring Access Location: SUV4

Bumper bracket not shown for clarity



Fasteners typical both sides.

①	Qty. (4)	Hex Bolt M10 X 1.5 X 35	②	Qty. (4)	Washer Conical 7/16
---	----------	-------------------------	---	----------	---------------------

1. Remove (2) bolts per side, attaching bumper bracket to frame.
Note: The bumper and bracket will remain rigidly attached to the vehicle when these bolts are removed.
2. Lift the receiver into position, centering slots in side bracket over weldnuts in frame.
3. Install the M10 bolts in Step 1.
4. Install M10 hex bolts and conical washers (provided) through slots in side bracket into weldnuts in frame as shown.

Tighten all M10 fasteners with torque wrench to 42 Lb.-Ft. (57 N*M)

Note: check hitch frequently, making sure all fasteners and ball are properly tightened. If hitch is removed, plug all holes in trunk pan or other body panels to prevent entry of water and exhaust fumes. A hitch or ball which has been damaged should be removed and replaced. Observe safety precautions when working beneath a vehicle and wear eye protection. Do not cut access or attachment holes with a torch.

This product complies with safety specifications and requirements for connecting devices and towing systems of the state of New York, V.E.S.C. Regulation V-5 and SAE J684.