

INSTALLATION INSTRUCTIONS

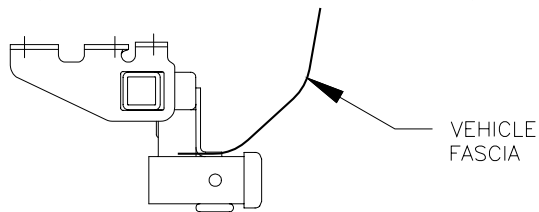
VEHICLE

VOLVO XC90

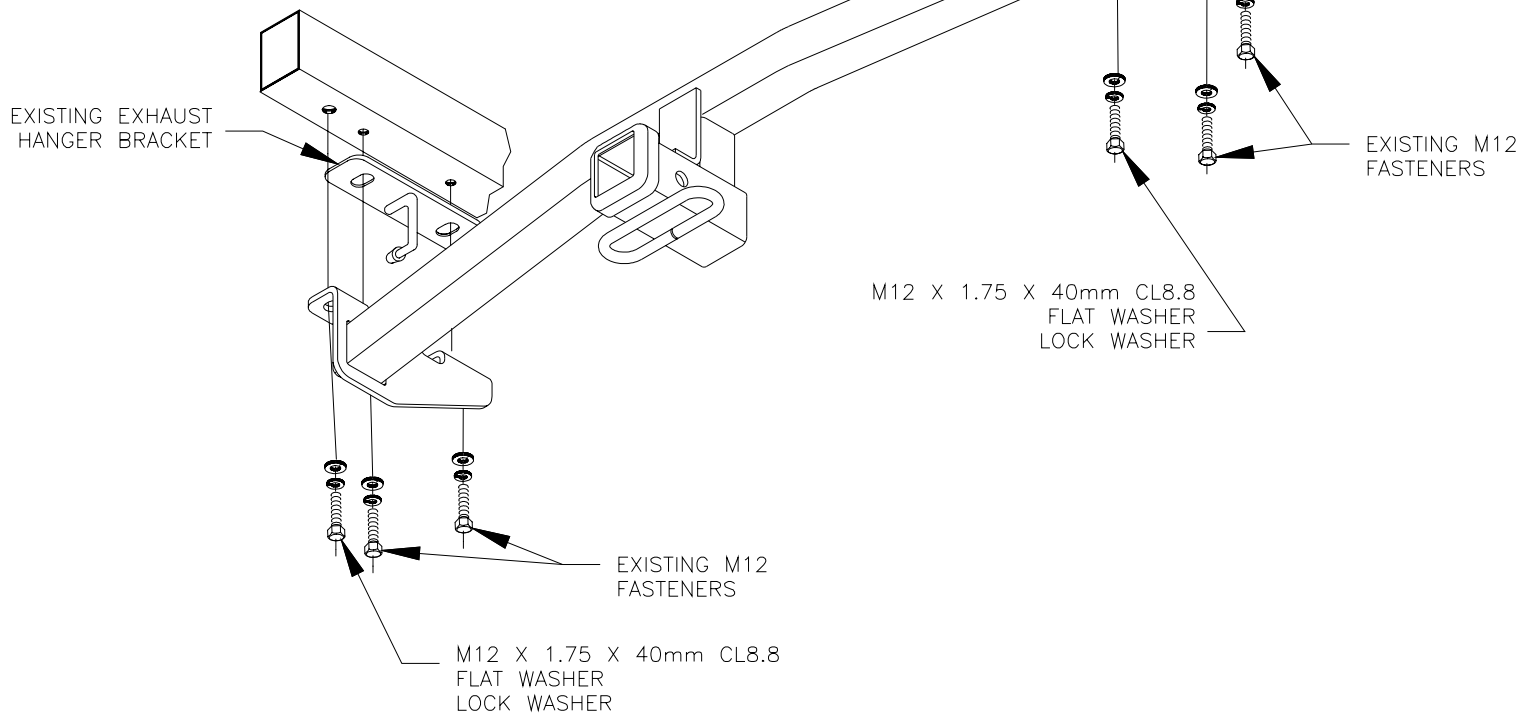
EQUIPMENT REQUIRED:

WIRING ACCESS LOCATION: SUV1, SUV2**DRILL BITS:** NONE**HITCH REQUIRES 5/8" PIN AND CLIP****WRENCHES:** (TIGHTEN ALL FASTENERS WITH TORQUE WRENCH) 17mm, 18mmDO NOT EXCEED LOWER OF
TOWING VEHICLE MFR'S RATINGS OR

HITCH TYPE ▼	MAX GROSS TRLR WT(LB)	MAX TONGUE WT(LB)
WEIGHT DISTRIBUTING	5000	500
WEIGHT CARRYING BALL MOUNT	5000	500

VEHICLE
FASCIA

HITCH SHOWN IN PROPER POSITION



1. LOWER SPARE TIRE
2. REMOVE EXISTING TOW BRACKET ON PASSENGER SIDE AND RETURN TO VEHICLE OWNER.
3. LOWER EXHAUST BY REMOVING 2 BOLTS WHICH SECURE EXHAUST HANGER BRACKET TO DRIVER SIDE FRAME.
4. RAISE HITCH INTO POSITION, SANDWICHING EXHAUST HANGER BRACKET BETWEEN HITCH SIDE BRACKET AND DRIVER SIDE FRAME RAIL.
5. INSTALL FASTENERS AS SHOWN.
TIGHTEN ALL M12 CL8.8 FASTENERS TO 64 LB-FT.
6. RAISE SPARE TIRE BACK INTO POSITION.

APPROX WEIGHT: 29 LB. / 13.2 KG.

THIS PRODUCT COMPLIES WITH SAFETY SPECIFICATIONS AND REQUIREMENTS FOR CONNECTING DEVICES AND TOWING SYSTEMS OF THE STATE OF NEW YORK AND V.E.S.C. REGULATION V-5.

Check receiver frequently, making sure all fasteners are properly tightened. A receiver which has been damaged should be removed and replaced. Observe safety precautions when working beneath a vehicle and wear eye protection.

WARNING: DO NOT CUT ACCESS OR ATTACHMENT HOLES WITH A TORCH.
DO NOT CUT, WELD, OR MODIFY RECEIVER.

Reese Products, INC.
Plymouth, Michigan
www.reeseprod.com

LIMITED WARRANTY

Reese warrants its Hitches, Custom Hitch Receivers, and Sway Controls from the date of purchase against defects in material and workmanship under normal use and service, ordinary wear and tear expected, for the ownership life of the original consumer purchaser. Reese will replace FREE OF CHARGE any part which proves defective in material or workmanship when presented to any Reese dealer, Reese Warehouse or return to factory. TRANSPORTATION CHARGES PREPAID, at the address above. THIS WARRANTY IS LIMITED TO DEFECTIVE PARTS ONLY. LABOR CHARGES AND/OR DAMAGE INCURRED IN INSTALLATION OR REPLACEMENT AS WELL AS INCIDENTAL AND CONSEQUENTIAL DAMAGES CONNECTED THEREWITH ARE EXCLUDED. Some states do not allow the exclusion or limitation of incidental or consequential damages, so the above limitation or exclusion may not apply to you. Any damage to the Hitch, Custom Hitch Receiver or Sway Control as a result of misuse, abuse, neglect, accident, improper installation, or any use that violates the instructions furnished by us, WILL VOID THE WARRANTY. This warranty gives you specific legal rights, and you may have other rights which vary from state to state. In the event of a problem with warranty service or performance, you may be able to go to a small claims court, a state court, or a federal district court.