

INSTALLATION INSTRUCTIONS

EQUIPMENT REQUIRED:

WIRING ACCESS LOCATION: SUV1, SUV2

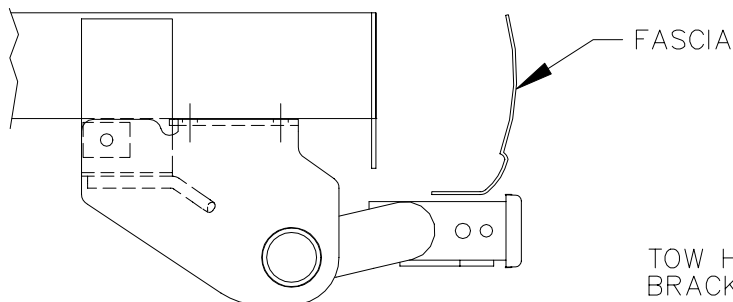
DRILL BITS: 1/2

HITCH REQUIRES 5/8" PIN AND CLIP IF STABILIZING PIN IS NOT INSTALLED.

WRENCHES: (TIGHTEN ALL FASTENERS WITH TORQUE WRENCH) 7/8, 17mm, 18mm

DO NOT EXCEED LOWER OF
TOWING VEHICLE MFR'S RATINGS OR

HITCH TYPE ▼	MAX GROSS TRLR WT(LB)	MAX TONGUE WT(LB)
WEIGHT DISTRIBUTING	5500	550
WEIGHT CARRYING BALL MOUNT	5000	500



HITCH SHOWN IN PROPER POSITION

TOW HOOK
BRACKETEXISTING WELDNUT
2 PLACES
(BOTH SIDES)

FRAME RAIL

DRILLED HOLE
(BOTH SIDES)

1/2-13 X 1-3/4 GR5
CARRIAGE BOLT
1/4 X 1-1/2 X 2
BLOCK (1540)
HELICAL LOCK WASHER
NUT

M12 X 1.50 X 45mm CL10.9
CONICAL TOOTHED WASHER

NOTE:
FASTENERS TYPICAL
BOTH SIDES

FIGURE 1

OPTIONAL LOCKING STABILIZING PIN

J-PIN

(Order Separately)

1. REMOVE THE FOUR (4) EXISTING BUMPER BOLTS FROM THE BOTTOM OF THE FRAME RAILS AND RETURN TO VEHICLE OWNER.
2. RAISE HITCH INTO POSITION AND INSTALL HEX BOLTS AND CONICAL TOOTHED WASHERS INTO EXISTING WELDNUTS IN FRAME.
3. USING THE HITCH AS A TEMPLATE, DRILL A 1/2 HOLE THRU TOW HOOK BRACKET AS SHOWN.
4. INSTALL CARRIAGE BOLTS AND BLOCKS (1540) TO THE INSIDE SURFACE OF TOW HOOK BRACKETS.
5. INSTALL HELICAL LOCK WASHERS AND HEX NUTS ON CARRIAGE BOLTS.

TIGHTEN ALL M12 CL10.9 FASTENERS TO 92 LB-FT.

TIGHTEN ALL 1/2-13 FASTENERS TO 75 LB-FT.

THIS PRODUCT COMPLIES WITH SAFETY SPECIFICATIONS AND REQUIREMENTS FOR CONNECTING DEVICES AND TOWING SYSTEMS OF THE STATE OF NEW YORK AND V.E.S.C. REGULATION V-5.

APPROX WEIGHT (LB.)

32

FASTENER KIT

F75131

NOTE: Check hitch frequently, making sure all fasteners and ball are properly tightened. If hitch is removed, plug all holes in trunk pan or other body panels to prevent entry of water and exhaust fumes. A hitch or ball which has been damaged should be removed and replaced. Observe safety precautions when working beneath a vehicle and wear eye protection. Follow car maker's specs for maximum trailer weight and tongue weight. Do not cut access or attachment holes with a torch.

TOWING PRODUCTS
Plymouth, Michigan