

INSTALLATION INSTRUCTIONS

EQUIPMENT REQUIRED: PHILLIPS HEAD SCREW DRIVER

WIRING ACCESS LOCATION: SUV1, SUV2

DRILL BITS: NONE

HITCH REQUIRES 5/8" PIN & CLIP IF STABILIZING PIN IS NOT INSTALLED.

WRENCHES: (TIGHTEN ALL FASTENERS WITH TORQUE WRENCH) 10mm, 19mm

VEHICLE

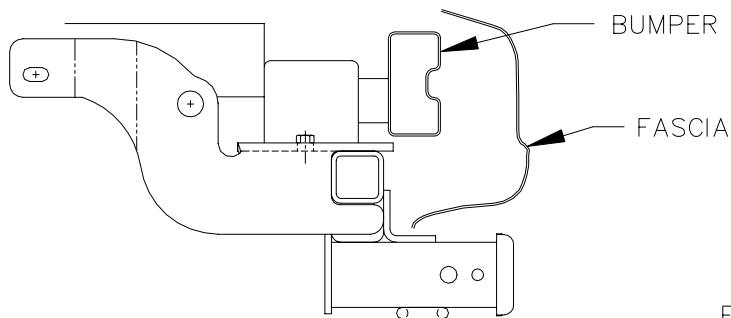
HITCH NO.

MERCURY VILLAGER
NISSAN QUEST

75102
33017

DO NOT EXCEED LOWER OF
TOWING VEHICLE MFR'S RATINGS OR

HITCH TYPE ▼	MAX GROSS TRLR WT(LB)	MAX TONGUE WT(LB)
WEIGHT DISTRIBUTING	5000	500
WEIGHT CARRYING BALL MOUNT	3500	350



HITCH SHOWN IN PROPER POSITION

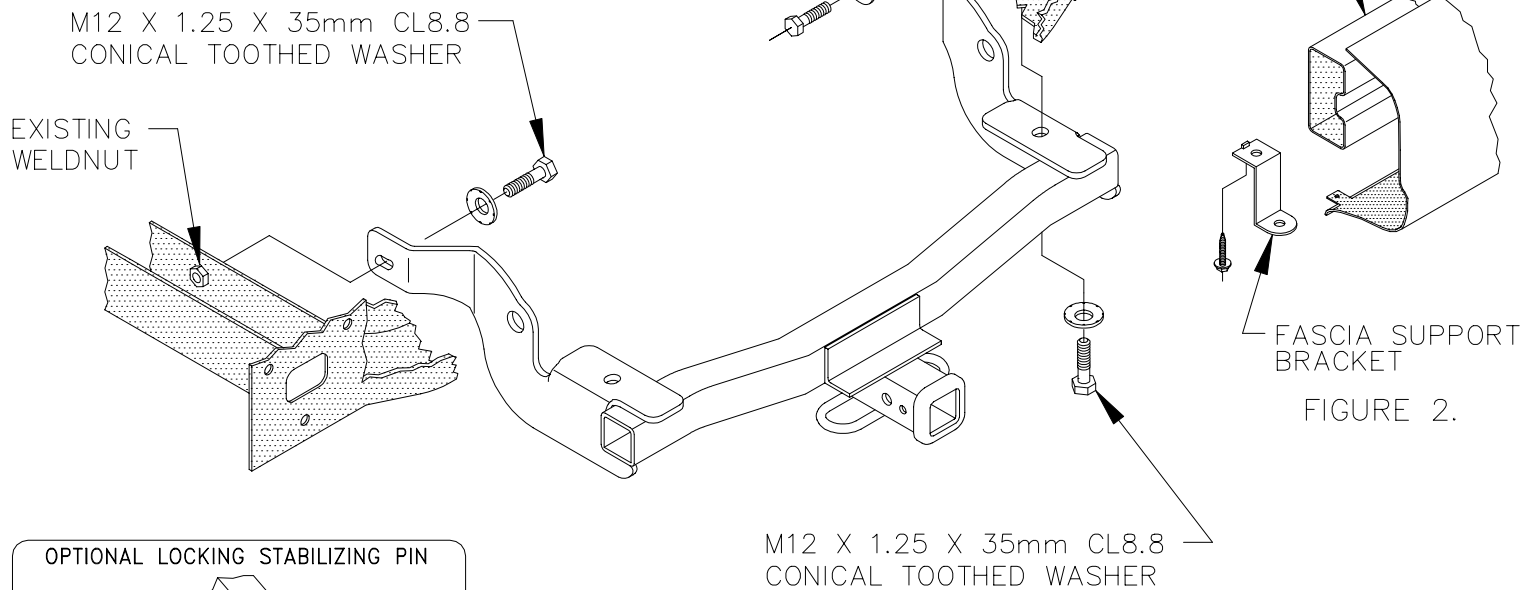
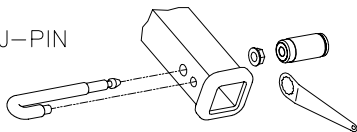


FIGURE 1.

OPTIONAL LOCKING STABILIZING PIN

J-PIN



(Order Separately)

1. REMOVE THE (2) TWO FASCIA SUPPORT BRACKETS AND RETURN TO VEHICLE OWNER. (SEE FIGURE 2.)
2. LOWER VEHICLE EXHAUST.
3. RAISE HITCH INTO POSITION AND INSTALL FASTENERS AS SHOWN ABOVE. (SEE FIGURE 1.)
4. REATTACH VEHICLE EXHAUST LOWERED IN STEP 2.

TIGHTEN ALL M12 CL8.8 FASTENERS TO 68 LB.-FT

THIS PRODUCT COMPLIES WITH SAFETY SPECIFICATIONS AND REQUIREMENTS FOR CONNECTING DEVICES AND TOWING SYSTEMS OF THE STATE OF NEW YORK AND V.E.S.C. REGULATION V-5.

APPROX WEIGHT (LB.)

32

FASTENER KIT

01131-138

NOTE: Check hitch frequently, making sure all fasteners and ball are properly tightened. If hitch is removed, plug all holes in trunk pan or other body panels to prevent entry of water and exhaust fumes. A hitch or ball which has been damaged should be removed and replaced. Observe safety precautions when working beneath a vehicle and wear eye protection. Follow car maker's specs for maximum trailer weight and tongue weight. Do not cut access or attachment holes with a torch.

TOWING PRODUCTS

Plymouth, Michigan