

INSTALLATION INSTRUCTIONS

EQUIPMENT REQUIRED:

WIRING ACCESS LOCATION: SUV1, SUV2

DRILL BITS:

HITCH REQUIRES 1/2" PIN AND CLIP

WRENCHES: (TIGHTEN ALL FASTENERS WITH TORQUE WRENCH) 18mm, 19mm

VEHICLE

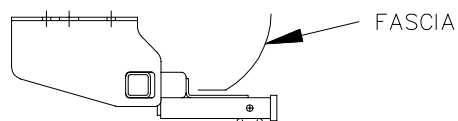
JEEP LIBERTY

HITCH NO.

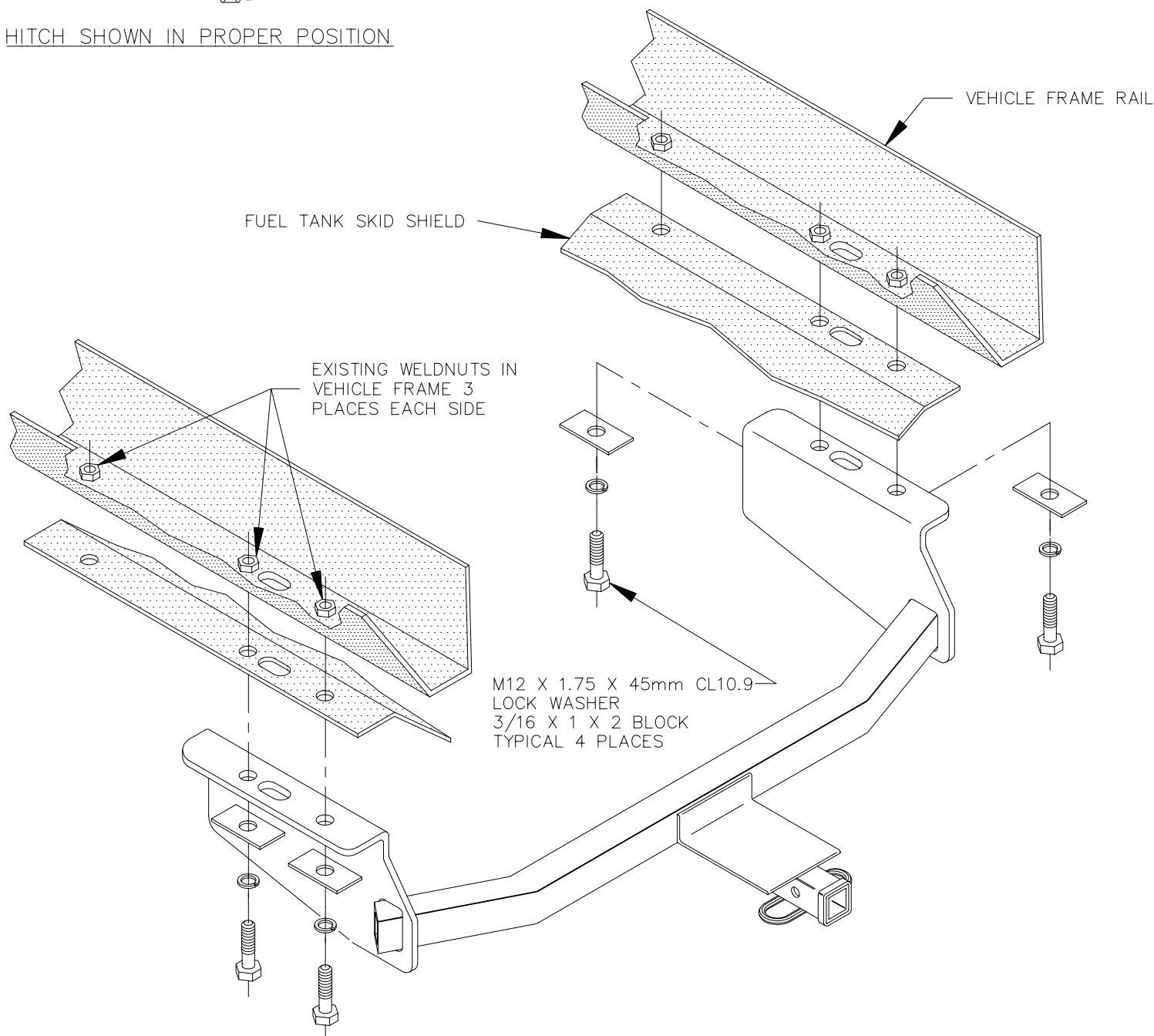
36303

06971

3500 LB MAX GROSS TRAILER WT
300 LB MAX TONGUE WEIGHT
DO NOT EXCEED TOWING VEHICLE RATINGS

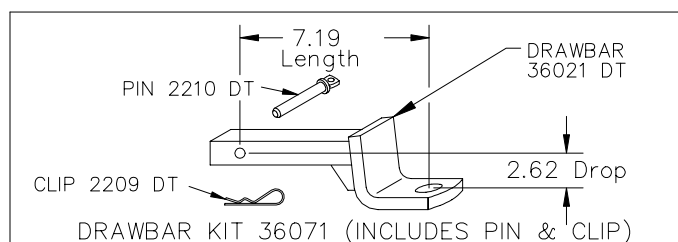


HITCH SHOWN IN PROPER POSITION



1. IF VEHICLE IS EQUIPPED WITH A FUEL TANK SKID SHIELD, REMOVE FOUR (4) REARMOST M12 BOLTS (2 EACH SIDE) HOLDING SKID SHIELD TO VEHICLE FRAME RAILS AND DISCARD BOLTS.
2. RAISE HITCH INTO POSITION AND INSTALL FASTENERS AS SHOWN ABOVE. FUEL TANK SKID SHIELD WILL BE SANDWICHED BETWEEN HITCH AND VEHICLE FRAME RAILS.

TIGHTEN ALL M12 CL10.9 FASTENERS TO 92 LB-FT.



USE ONLY THE DRAWBAR SHOWN FOR CORRECT BUMPER CLEARANCE AND HEIGHT.
DRAWBAR MUST BE USED IN THE DROP POSITION ONLY.

THIS PRODUCT COMPLIES WITH SAFETY SPECIFICATIONS AND REQUIREMENTS FOR CONNECTING DEVICES AND TOWING SYSTEMS OF THE STATE OF NEW YORK AND V.E.S.C. REGULATION V-5.

APPROX WEIGHT (LB.)
31

FASTENER KIT
F36303

NOTE: Check hitch frequently, making sure all fasteners and ball are properly tightened. If hitch is removed, plug all holes in trunk pan or other body panels to prevent entry of water and exhaust fumes. A hitch or ball which has been damaged should be removed and replaced. Observe safety precautions when working beneath a vehicle and wear eye protection. Follow car maker's specs for maximum trailer weight and tongue weight. Do not cut access or attachment holes with a torch.

TOWING PRODUCTS

Canton, Michigan
Elkhart, Indiana