

INSTALLATION INSTRUCTIONS

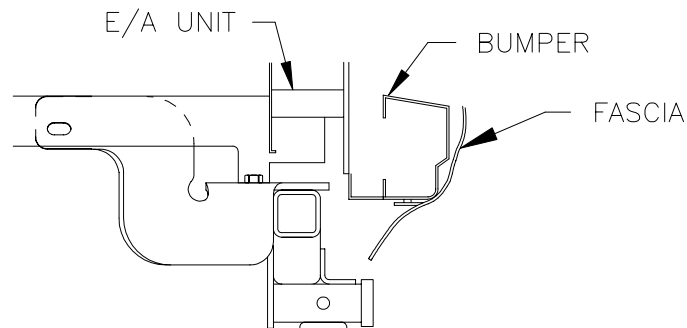
EQUIPMENT REQUIRED: NONE

WIRING ACCESS LOCATION: SUV1, SUV2

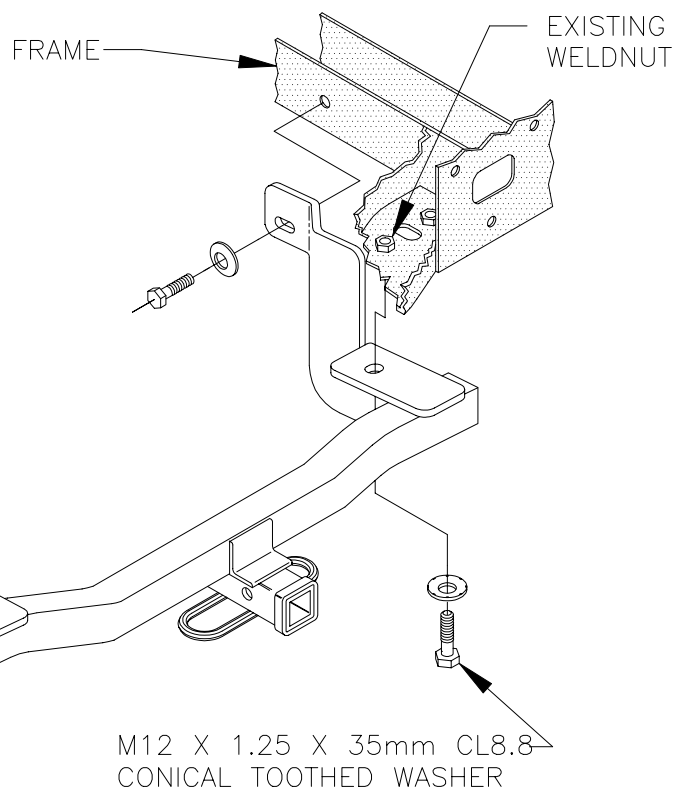
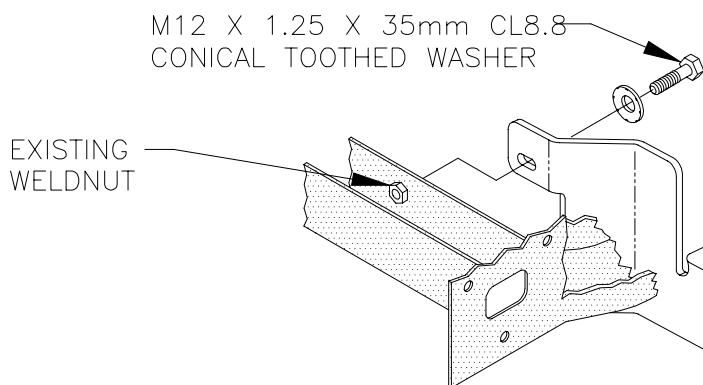
DRILL BITS: NONE

HITCH REQUIRES 1/2" PIN & CLIP

WRENCHES: (TIGHTEN ALL FASTENERS WITH TORQUE WRENCH) 18mm



HITCH SHOWN IN PROPER POSITION



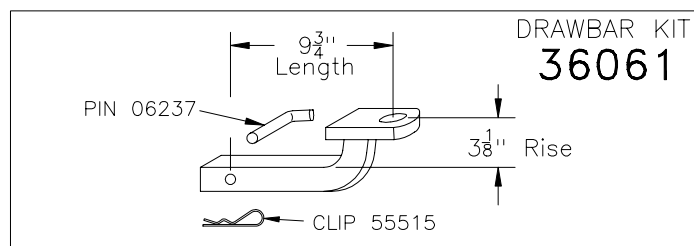
1. ON 1998 AND LATER VEHICLES LOWER VEHICLE EXHAUST.

2. RAISE HITCH INTO POSITION AND INSTALL FASTENERS AS SHOWN ABOVE.

NOTE: DUE TO VEHICLE VARIATION, EXHAUST HANGER BRACKET ON PASSENGER'S SIDE MAY NEED TO BE ADJUSTED TO ALLOW FASTENER INSTALLATION.

3. REATTACH VEHICLE EXHAUST IF LOWERED IN STEP 1.

TIGHTEN ALL M12 CL8.8 FASTENERS TO 68 LB.-FT



USE ONLY THE DRAWBAR SHOWN FOR CORRECT BUMPER CLEARANCE AND HEIGHT.
DRAWBAR MUST BE USED IN THE RISE POSITION ONLY.

THIS PRODUCT COMPLIES WITH SAFETY SPECIFICATIONS AND REQUIREMENTS FOR CONNECTING DEVICES AND TOWING SYSTEMS OF THE STATE OF NEW YORK, V.E.S.C. REGULATION V-5 AND SAE J684.

APPROX WEIGHT (LB.)	FASTENER KIT
26.5	01130-040

NOTE: Check hitch frequently, making sure all fasteners and ball are properly tightened. If hitch is removed, plug all holes in trunk pan or other body panels to prevent entry of water and exhaust fumes. A hitch or ball which has been damaged should be removed and replaced. Observe safety precautions when working beneath a vehicle and wear eye protection. Follow car maker's specs for maximum trailer weight and tongue weight. Do not cut access or attachment holes with a torch.

VEHICLE

MERCURY VILLAGER
NISSAN QUEST

3500 LB MAX GROSS TRAILER WT
300 LB MAX TONGUE WEIGHT
DO NOT EXCEED TOWING VEHICLE RATINGS

TOWING PRODUCTS
Plymouth, Michigan