

# Installation Instructions

## Cadillac DeVille

Part Numbers:

**36173**

**06616**

**90058**

**Drawbar Kit:**

36071

Drawbar must be used in the **DROP** position only.

**Equipment Required:**

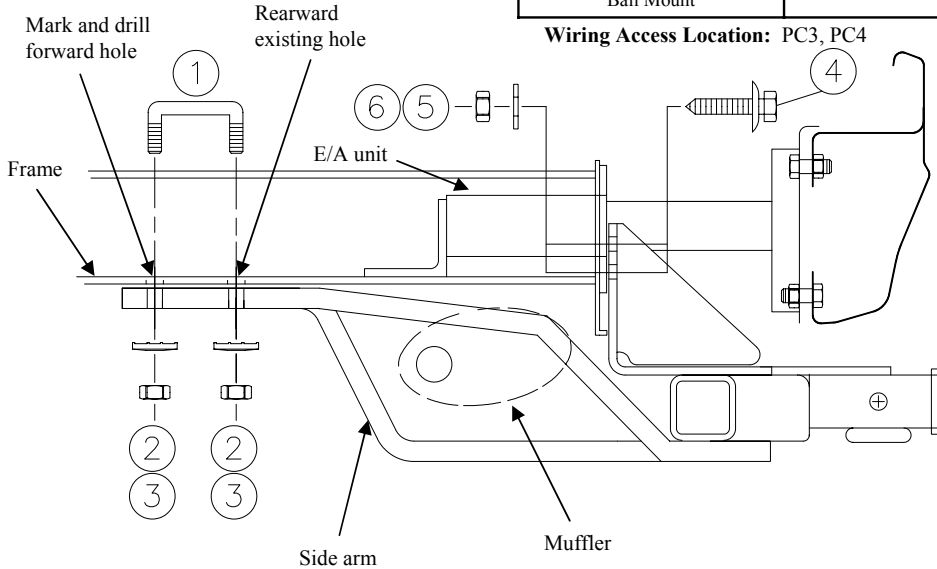
**Fastener Kit:** 1130-595

**Wrenches:** 9/16", 10mm, 13mm, 15mm

**Drill Bits:** 3/8", 1/2"

**Do Not Exceed Lower of Towing Vehicle  
Manufacturer's Rating or**

Hitch type	Max Gross Trailer WT (LB)	Max Tongue WT (LB)
Weight Distributing	<b>Not For Use With Spring Bars</b>	
Weight Carrying Ball Mount	<b>3,500 (1589 Kg)</b>	<b>300 (136 Kg)</b>



①	Qty. (2)	U-Bolt 3/8"	④	Qty. (5)	Hex bolt M8 x 1.25 x 55mm GR9.8
②	Qty. (4)	Conical washer 3/8"	⑤	Qty. (8)	Flat washer 5/16"
③	Qty. (4)	Hex nut 3/8"	⑥	Qty. (5)	Hex nut M8 x 1.25

1. Remove inboard and lower outboard energy absorber (E/A) unit mounting bolts from both sides of frame. Remove the tail pipe hanger bracket that is attached to end of the frame on passenger side.
2. Position hitch on vehicle and loosely install M8 E/A bolts provided. On pre-1992 models the exhaust pipe may make contact with hitch side arm on driver's side, remove exhaust pipe hanger bracket bolt to lower exhaust. Drill 3/8" hole 1" above existing weldnut hole in bracket (see Figure 3). Reattach exhaust to bracket through 3/8" hole using existing bolt and M8 nut.
3. Align rearward holes in hitch side arms with existing holes in vehicle frame. Using the hitch as a template, mark the forward hole locations for the u-bolts on both sides of the frame.
4. Remove hitch from vehicle and drill the two (2) 1/2" holes in both sides of frame. Install two (2) 3/8" u-bolts into the frame.
5. Reposition hitch on vehicle. **Note:** Be careful not to push u-bolts back into frame when installing hitch.
6. Install fasteners as shown. Outboard M8 fastener on passenger's side may have to be installed pointing rearward to prevent interference with rubber exhaust hanger.
7. Use three (3) 5/16" flat washers provided to shim space between tail pipe bracket and the upper outboard attachment for E/A unit on passenger side. Use fasteners provided to attach tail pipe hanger bracket, see Figure 2.

Tighten all 3/8 GR5 fasteners with torque wrench to 30 Lb.-Ft. (41 N\*M)  
Tighten all M8 x 1.25 CL9.8 fasteners with torque wrench to 25 Lb.-Ft. (34 N\*M)

Note: check hitch frequently, making sure all fasteners and ball are properly tightened. If hitch is removed, plug all holes in trunk pan or other body panels to prevent entry of water and exhaust fumes. A hitch or ball which has been damaged should be removed and replaced. Observe safety precautions when working beneath a vehicle and wear eye protection. Do not cut access or attachment holes with a torch.

This product complies with safety specifications and requirements for connecting devices and towing systems of the state of New York, V.E.S.C. Regulation V-5 and SAE J684.

© 1992, 2000, 2008 Cequent Towing Products	Sheet 1 of 2	N36173	11-19-08	Rev. B
--	--------------	--------	----------	--------

# Installation Instructions

## Cadillac DeVille

Part Numbers:

**36173**

**06616**

**90058**

**Equipment Required:**

**Fastener Kit:** 1130-595

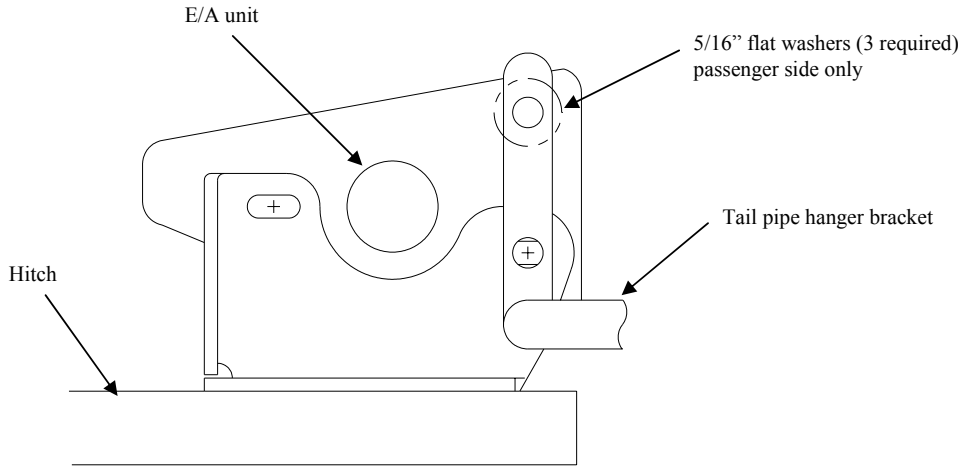
**Wrenches:** 9/16", 10mm, 13mm, 15mm

**Drill Bits:** 3/8", 1/2"

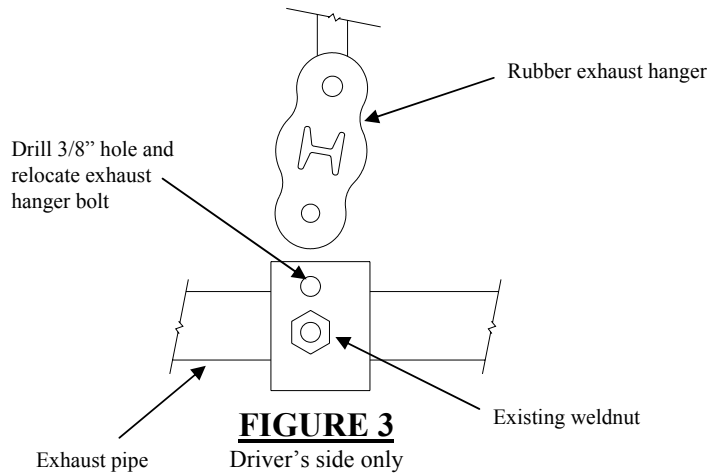
**Do Not Exceed Lower of Towing Vehicle  
Manufacturer's Rating or**

Hitch type	Max Gross Trailer WT (LB)	Max Tongue WT (LB)
Weight Distributing	<b>Not For Use With Spring Bars</b>	
Weight Carrying Ball Mount	<b>3,500 (1589 Kg)</b>	<b>300 (136 Kg)</b>

**Wiring Access Location:** PC3, PC4



**FIGURE 2**



**FIGURE 3**

Driver's side only  
Applies only to pre-1993 models

Tighten all 3/8 GR5 fasteners with torque wrench to 30 Lb.-Ft. (41 N\*M)  
Tighten all M8 x 1.25 CL9.8 fasteners with torque wrench to 25 Lb.-Ft. (34 N\*M)

Note: check hitch frequently, making sure all fasteners and ball are properly tightened. If hitch is removed, plug all holes in trunk pan or other body panels to prevent entry of water and exhaust fumes. A hitch or ball which has been damaged should be removed and replaced. Observe safety precautions when working beneath a vehicle and wear eye protection. Do not cut access or attachment holes with a torch.

This product complies with safety specifications and requirements for connecting devices and towing systems of the state of New York, V.E.S.C. Regulation V-5 and SAE J684.