

INSTALLATION INSTRUCTIONS

VEHICLE	HITCH NO.
CADILLAC DEVILLE	36185 90048 06614

EQUIPMENT REQUIRED:

3500 LB MAX GROSS TRAILER WT
300 LB MAX TONGUE WEIGHT
DO NOT EXCEED TOWING VEHICLE RATING

DRILL BITS: 7/16

WRENCHES: (TIGHTEN ALL FASTENERS WITH TORQUE WRENCH) 13mm, 15mm, 11/16, 7/8

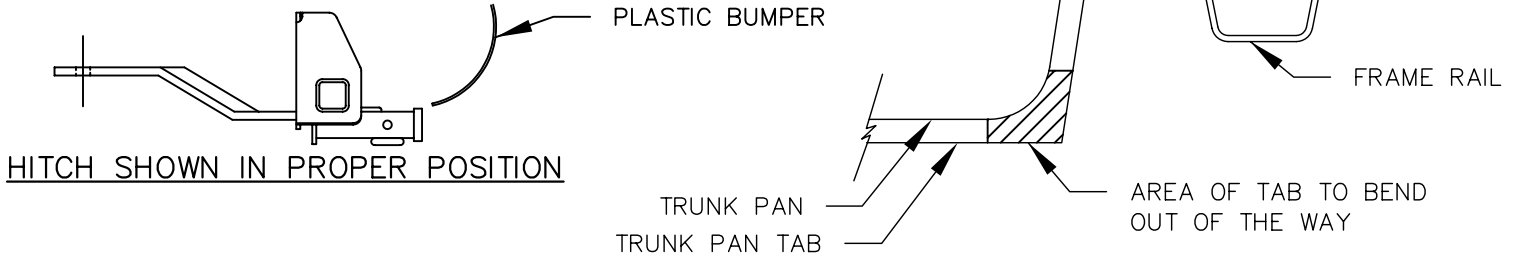


FIG. 1. TYPICAL BOTH SIDES

NOTE: REINFORCEMENT PLATES (5317) MUST BE INSTALLED INSIDE OF TRUNK FOR SAFE OPERATION.

1. LOWER VEHICLE EXHAUST AND REMOVE INBOARD AND LOWER OUTBOARD M8 E/A FASTENERS. RETAIN FOR HITCH INSTALLATION.
2. OBTAIN ACCESS TO TRUNK AND PULL BACK THE CARPETING TO EXPOSE THE TRUNK PAN.

NOTE: VEHICLES WITH OPTIONAL FACTORY CD PLAYER LOCATED IN TRUNK REQUIRES TEMPORARY REPOSITIONING TO INSTALL REINFORCEMENT PLATE.

3. DRILL ONE (1) 7/16" HOLE FROM UNDER THE VEHICLE UP THRU THE CENTER OF EACH FRAME EXTENSION FLANGE AS SHOWN, 2" FORWARD FROM END OF FRAME EXTENSION. BE CAREFUL NOT TO TEAR CARPET.
4. USING HOLE DRILLED IN STEP 3 CENTER REINFORCEMENT PLATE IN VEHICLE TRUNK AND USE AS A TEMPLATE TO DRILL THREE (3) REMAINING HOLES PER SIDE.
5. INSTALL FOUR (4) 7/16" CARRIAGE BOLTS THRU REINFORCEMENT PLATE, TRUNK PAN, AND FRAME FLANGE. INSTALL FLAT WASHER, LOCK WASHER, AND NUT AS SHOWN.

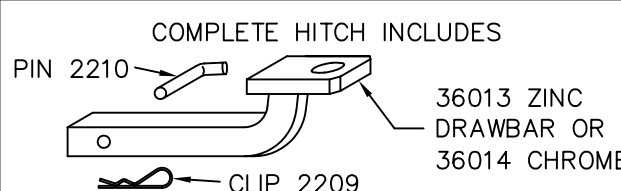
TIGHTEN ALL 7/16 GR5 FASTENERS TO 50 LB.-FT.

6. RESTORE CARPETING IN TRUNK TO ORIGINAL CONDITION.
7. FISHWIRE 1/2" CARRIAGE BOLT AND BLOCK THRU ACCESS HOLE ON INBOARD SIDE OF FRAME, AND THEN THRU HOLE IN BOTTOM OF FRAME AS SHOWN ON BOTH SIDES.
8. RAISE HITCH INTO POSITION AS SHOWN, BEING CAREFUL NOT TO PUSH FASTENERS BACK INTO FRAME. LOOSELY INSTALL CONICAL TOOTHED WASHER AND NUT ON BOTH FORWARD ATTACHMENTS.

NOTE: BEND TRUNK PAN TABS TO ELIMINATE INTERFERENCE, AS SHOWN IN FIG. 1.

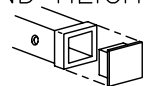
9. REINSTALL M8 FASTENER THRU THE E/A AND THE HITCH. RAISE VEHICLE EXHAUST OVER M8 BOLT AND THEN LOOSELY INSTALL FLAT WASHER AND NUT REMOVED IN STEP 1.

TIGHTEN ALL 1/2 GR5 FASTENERS TO 75 LB.-FT.
TIGHTEN ALL M8 FASTENERS TO 25 LB.-FT.

<p>COMPLETE HITCH INCLUDES</p>  <p>PIN 2210</p> <p>CLIP 2209</p> <p>36013 ZINC DRAWBAR OR 36014 CHROME</p>	<p>DRAWBAR REPLACEMENT KIT (INCLUDES PIN & CLIP)</p> <p>36063 ZINC 36064 CHROME</p> <p>NOTE: REPLACEMENT DRAWBAR AVAILABLE ONLY IN KIT. PINS & CLIPS AVAILABLE SEPARATELY.</p>
---	--

USE ONLY THE DRAWBAR SHOWN FOR CORRECT BUMPER CLEARANCE AND HEIGHT.
REMOVE DRAWBAR WHEN NOT TOWING

TO PROTECT DRAWBAR OPENING IN HITCH WHEN NOT TOWING, INSERT COVER #2211 (PURCHASED SEPARATELY).



THIS PRODUCT COMPLIES WITH SAFETY SPECIFICATIONS AND REQUIREMENTS FOR CONNECTING DEVICES AND TOWING SYSTEMS OF THE STATE OF NEW YORK AND V.E.S.C. REGULATION V-5.

APPROX WEIGHT (LB.)	32	FASTENER KIT NO.	1130-875
---------------------	----	------------------	----------

NOTE: Check hitch frequently, making sure all fasteners and ball are properly tightened. If hitch is removed, plug all holes in trunk pan or other body panels to prevent entry of water and exhaust fumes. A hitch or ball which has been damaged should be removed and replaced. Observe safety precautions when working beneath a vehicle and wear eye protection. Follow car maker's specs for maximum trailer weight and tongue weight. Do not cut access or attachment holes with a torch.

TOWING PRODUCTS
Plymouth, Michigan

INSTALLATION INSTRUCTIONS

VEHICLE	HITCH NO.
CADILLAC DEVILLE	36185 90048 06614

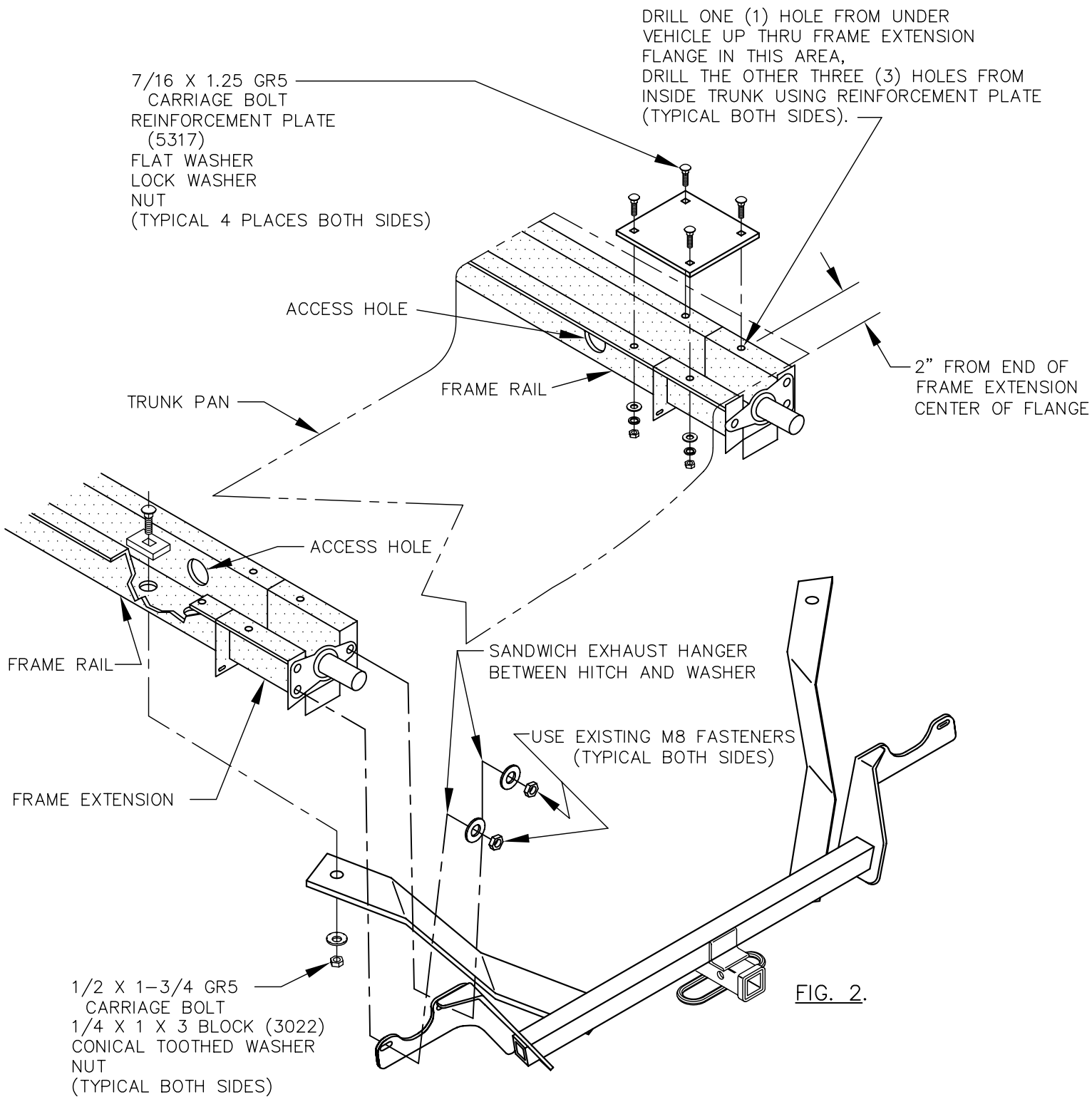


FIG. 2.

THIS PRODUCT COMPLIES WITH SAFETY SPECIFICATIONS AND REQUIREMENTS FOR CONNECTING DEVICES AND TOWING SYSTEMS OF THE STATE OF NEW YORK AND V.E.S.C. REGULATION V-5.

APPROX WEIGHT (LB.)	32	FASTENER KIT NO.	1130-875
---------------------	----	------------------	----------

NOTE: Check hitch frequently, making sure all fasteners and ball are properly tightened. If hitch is removed, plug all holes in trunk pan or other body panels to prevent entry of water and exhaust fumes. A hitch or ball which has been damaged should be removed and replaced. Observe safety precautions when working beneath a vehicle and wear eye protection. Follow car maker's specs for maximum trailer weight and tongue weight. Do not cut access or attachment holes with a torch.

TOWING PRODUCTS
Plymouth, Michigan