

INSTALLATION INSTRUCTIONS

EQUIPMENT REQUIRED:

WIRING ACCESS LOCATION: SUV1, SUV2

DRILL BITS: NONE

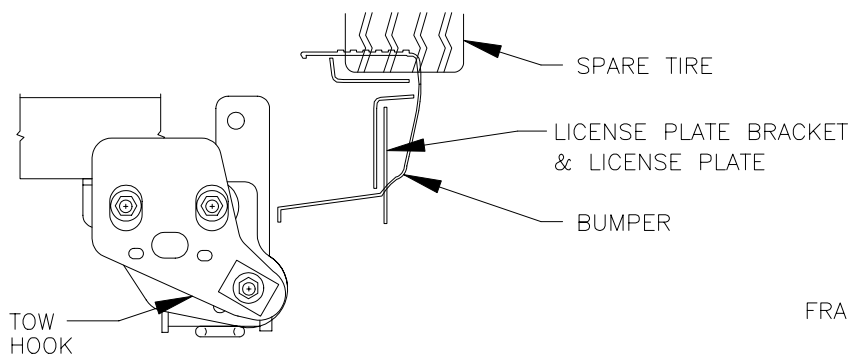
HITCH REQUIRES 1/2" PIN AND CLIP

WRENCHES: (TIGHTEN ALL FASTENERS WITH TORQUE WRENCH) 19mm, 3/4, 7/8

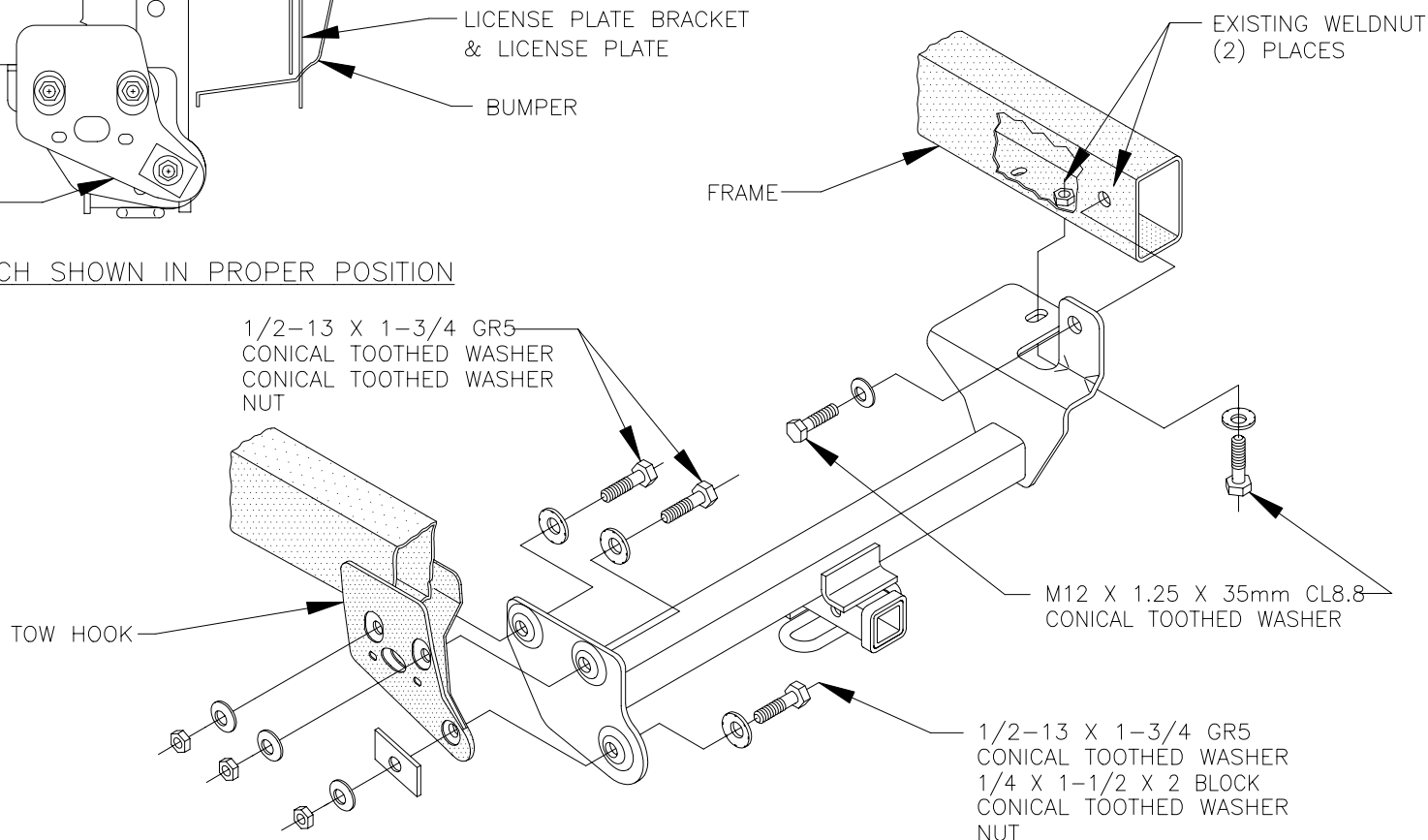
VEHICLE

ISUZU RODEO, RODEO SPORT, AMIGO
HONDA PASSPORT
(FOR MODELS WITH TAILGATE
MOUNTED SPARE TIRE ONLY)

3500 LB MAX GROSS TRAILER WT
300 LB MAX TONGUE WEIGHT
DO NOT EXCEED TOWING VEHICLE RATINGS



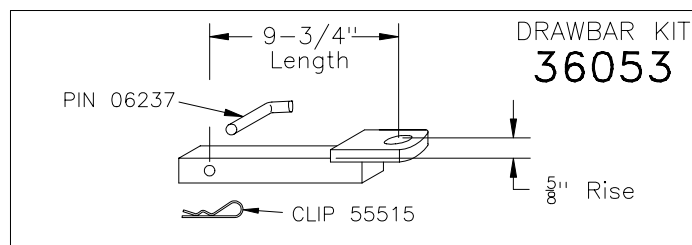
HITCH SHOWN IN PROPER POSITION



1. POSITION HITCH ON VEHICLE AS SHOWN, ALIGNING HOLES IN HITCH WITH EXISTING WELDNUTS IN VEHICLE FRAME (PASSENGER'S SIDE) AND SLOTS IN TOW HOOK (DRIVER'S SIDE).
2. LOOSELY INSTALL HEX BOLTS AS SHOWN.

TIGHTEN ALL M12 CL8.8 FASTENERS TO 68 LB.-FT.

TIGHTEN ALL 1/2 GR5 FASTENERS TO 75 LB.-FT.



USE ONLY THE DRAWBAR SHOWN FOR CORRECT BUMPER CLEARANCE AND HEIGHT.
DRAWBAR MUST BE USED IN THE RISE POSITION ONLY.

THIS PRODUCT COMPLIES WITH SAFETY SPECIFICATIONS AND REQUIREMENTS FOR CONNECTING DEVICES AND TOWING SYSTEMS OF THE STATE OF NEW YORK, V.E.S.C. REGULATION V-5 AND SAE J684.

APPROX WEIGHT (LB.)

23

FASTENER KIT

01131-027

NOTE: Check hitch frequently, making sure all fasteners and ball are properly tightened. If hitch is removed, plug all holes in trunk pan or other body panels to prevent entry of water and exhaust fumes. A hitch or ball which has been damaged should be removed and replaced. Observe safety precautions when working beneath a vehicle and wear eye protection. Follow car maker's specs for maximum trailer weight and tongue weight. Do not cut access or attachment holes with a torch.

TOWING PRODUCTS
Plymouth, Michigan