

INSTALLATION INSTRUCTIONS

EQUIPMENT REQUIRED: CENTER PUNCH

WIRING ACCESS LOCATION: PC3, PC4

DRILL BITS: 1/8, 3/8, 1/2

HITCH REQUIRES 1/2" PIN AND CLIP.

WRENCHES: (TIGHTEN ALL FASTENERS WITH TORQUE WRENCH) 13mm, 15mm, 9/16, 11/16, 7/8

VEHICLE

DODGE INTREPID
EAGLE VISION
CHRYSLER CONCORDE
CHRYSLER NEW YORKER
CHRYSLER LHS

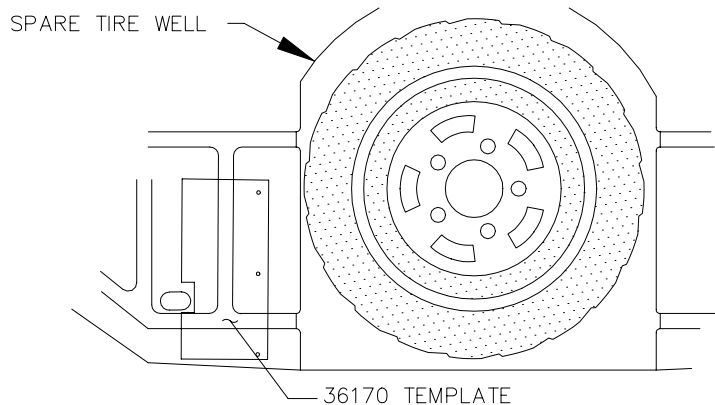


FIGURE 1. INSIDE TRUNK DRIVER'S SIDE

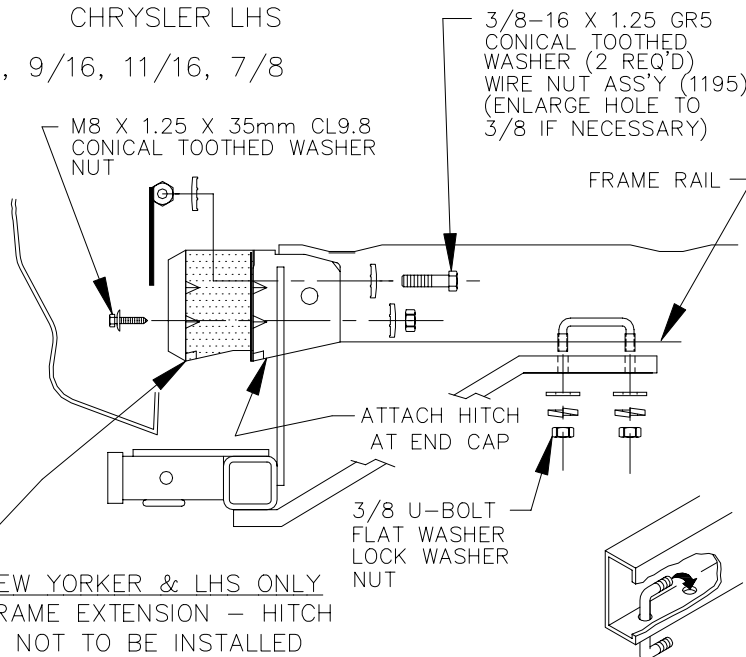


FIGURE 2. PASSENGER'S SIDE

NEW YORKER & LHS ONLY
FRAME EXTENSION - HITCH IS NOT TO BE INSTALLED IN THIS AREA.

U-BOLT INSTALLATION

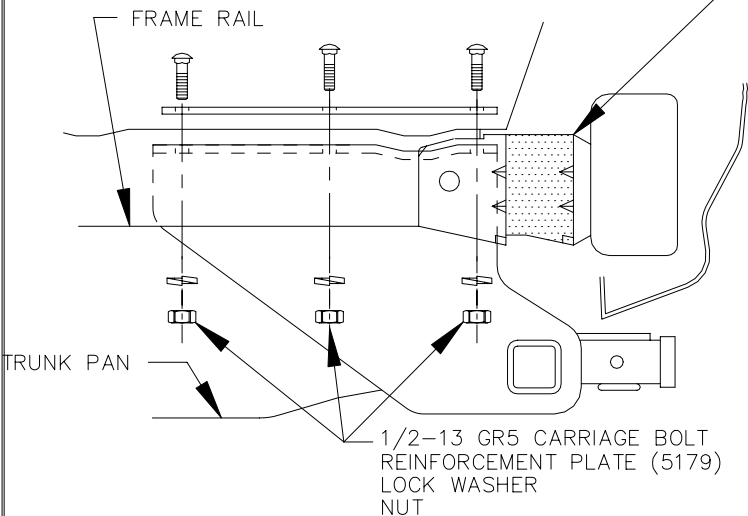


FIGURE 3. DRIVER'S SIDE

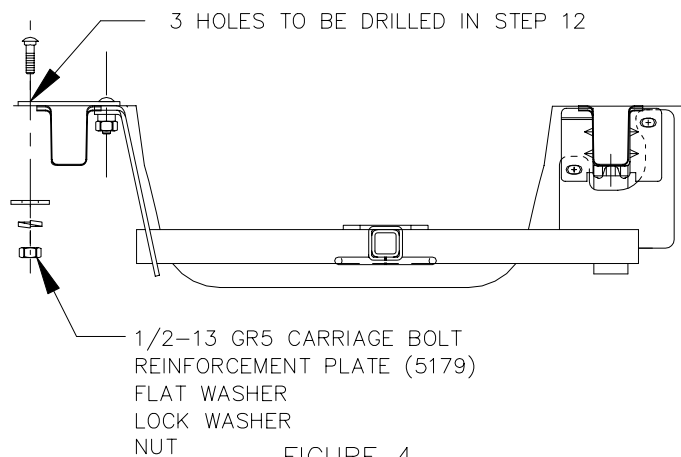


FIGURE 4.

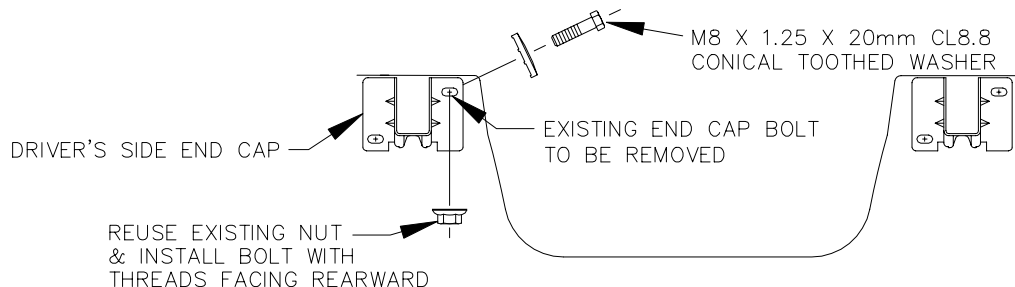


FIGURE 5.

*TIGHTEN U-BOLTS EVENLY WITH HAND TORQUE WRENCH. DO NOT USE IMPACT WRENCH.

THIS PRODUCT COMPLIES WITH SAFETY SPECIFICATIONS AND REQUIREMENTS FOR CONNECTING DEVICES AND TOWING SYSTEMS OF THE STATE OF NEW YORK, V.E.S.C. REGULATION V-5 AND SAE J684.

APPROX WEIGHT (LB.)	FASTENER KIT
38.5	01130-840

NOTE: Check hitch frequently, making sure all fasteners and ball are properly tightened. If hitch is removed, plug all holes in trunk pan or other body panels to prevent entry of water and exhaust fumes. A hitch or ball which has been damaged should be removed and replaced. Observe safety precautions when working beneath a vehicle and wear eye protection. Follow car maker's specs for maximum trailer weight and tongue weight. Do not cut access or attachment holes with a torch.

TOWING PRODUCTS
Plymouth, Michigan

VEHICLE

INSTALLATION INSTRUCTIONS

3500 LB MAX GROSS TRAILER WT
300 LB MAX TONGUE WEIGHT
DO NOT EXCEED TOWING VEHICLE RATINGS

- REMOVE THE TWO (2) FASTENERS THAT ATTACH THE PASSENGER'S SIDE BUMPER BRACKET TO THE FRAME RAIL END CAP. RETURN FASTENERS TO VEHICLE OWNER.
- REMOVE THE EXISTING DRIVER'S SIDE INBOARD FRAMERAIL END CAP BOLT AND REPLACE IT WITH FASTENERS AS SHOWN IN FIG 5 (TO PROVIDE ACCESS FOR CARRIAGE BOLTS INSTALLED IN STEP 12).
- REMOVE SPARE TIRE COVER & PULL THE TRUNK CARPETING BACK TO EXPOSE THE DRIVER'S SIDE OF THE TRUNK PAN.
- HOW TO USE THE "36170 TEMPLATE" (SHEET 3 OF INSTRUCTIONS):
 - * CUT TEMPLATE ALONG THE DOTTED LINES.
 - * PLACE TEMPLATE INSIDE TRUNK ON DRIVER'S SIDE OF SPARE TIRE WELL, SEE FIG 1.
 - * TEMPLATE SHOULD BE POSITIONED SO THAT THE ARROWS LINE UP WITH THE CENTERS OF THE RIBS IN THE TRUNK PAN.
 - * TAPE TEMPLATE IN PLACE ONCE THE ARROWS ARE LINED UP.
- CENTER PUNCH THREE (3) PLACES AS SPECIFIED ON "36170 TEMPLATE." REMOVE TEMPLATE. DRILL THREE (3) 1/8" HOLES DOWN THROUGH TRUNK PAN AT CENTER PUNCHED LOCATIONS.
NOTE: YOU MAY WISH TO TRANSFER THE "36170 TEMPLATE" TO A STIFFER MATERIAL FOR USE ON FUTURE INSTALLATIONS.
- LIFT THE HITCH INTO POSITION & LOOSELY FASTEN M8 & 3/8" FASTENERS PROVIDED THROUGH PASSENGER SIDE END CAP.
NOTE: IF NECESSARY ENLARGE EXISTING HOLE IN VEHICLE END CAP FOR 3/8 FASTENER. (USE 3/8 DRILL BIT)
- CHECK THE ALIGNMENT OF THE 1/8" DRILLED HOLES IN THE TRUNK PAN. MAKE ADJUSTMENTS AS NECESSARY AND ENLARGE HOLES TO 1/2"
- USING THE HITCH AS A TEMPLATE MARK THE PASSENGER SIDE FRAME RAIL FOR DRILLING.
- REMOVE THE HITCH AND DRILL TWO 1/2" DIAMETER HOLES THRU THE PASSENGER SIDE FRAME RAIL. INSTALL THE 3/8 U-BOLT IN THE PREVIOUSLY DRILLED HOLES, SEE FIG 2.
- REINSTALL HITCH BEING CAREFUL NOT TO KNOCK THE U-BOLT INTO THE FRAME RAIL. LOOSELY INSTALL THE 3/8 WASHERS, LOCK WASHERS, NUTS, & M8 FASTENERS PROVIDED.
- POSITION REINFORCEMENT PLATE (5179) INSIDE TRUNK, ALIGNING THE NOTCH WITH THE SEALED DRAIN HOLE AND MAKING SURE THE THE HOLES IN THE PLATE LINE UP WITH THE HOLES ENLARGED IN STEP 7.
- INSTALL 1/2" CARRIAGE BOLTS DOWN THRU REINFORCEMENT PLATE (5179) AND TRUNK PAN INTO HITCH. FASTEN WITH LOCK WASHERS AND NUTS AS SHOWN IN FIG 3.
- USING REINFORCEMENT PLATE (5179) AS A TEMPLATE, DRILL THREE (3) 1/2" HOLES (OUTBOARD OF HOLES DRILLED EARLIER), THROUGH TRUNK PAN, INSTALL REMAINING 1/2 CARRIAGE BOLTS AND FASTEN WITH FLAT WASHERS, LOCK WASHERS AND NUTS.
NOTE: SEAL ALL HOLES DRILLED IN VEHICLE TO PREVENT ENTRY OF EXHAUST FUMES INTO TRUNK.
NOTE: IT MAYBE NECESSARY TO TEMPORARILY LOWER EXHAUST SYSTEM TO TIGHTEN 1/2 FASTENERS.
TIGHTEN 1/2-13 GR5 FASTENERS TO 75 LB.-FT.
TIGHTEN NUTS ON 3/8 U-BOLT TO 25 LB.-FT.
TIGHTEN 3/8-16 GR5 FASTENERS TO 31 LB.-FT.
TIGHTEN M8 X 1.25 CL9.8 FASTENERS TO 25 LB.-FT.
TIGHTEN M8 X 1.25 CL8.8 FASTENERS TO 20 LB.-FT.
- REINSTALL CARPETING AND SPARE TIRE COVER IN TRUNK.
NOTE: REINFORCEMENT PLATE (5179) MUST BE INSTALLED AS DESCRIBED ABOVE TO INSURE SAFETY.

INTREPID, VISION, & CONCORDE MODELS ONLY	NEW YORKER & LHS MODELS ONLY
<p>DRAWBAR KIT 36061</p>	<p>DRAWBAR KIT 36063</p>

USE ONLY THE DRAWBAR SHOWN FOR CORRECT BUMPER CLEARANCE AND HEIGHT.
DRAWBAR MUST BE USED IN THE RISE POSITION ONLY.

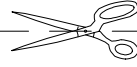
THIS PRODUCT COMPLIES WITH SAFETY SPECIFICATIONS AND REQUIREMENTS FOR CONNECTING DEVICES AND TOWING SYSTEMS OF THE STATE OF NEW YORK, V.E.S.C. REGULATION V-5 AND SAE J684.

APPROX WEIGHT (LB.)	FASTENER KIT
38.5	01130-840

NOTE: Check hitch frequently, making sure all fasteners and ball are properly tightened. If hitch is removed, plug all holes in trunk pan or other body panels to prevent entry of water and exhaust fumes. A hitch or ball which has been damaged should be removed and replaced. Observe safety precautions when working beneath a vehicle and wear eye protection. Follow car maker's specs for maximum trailer weight and tongue weight. Do not cut access or attachment holes with a torch.

TOWING PRODUCTS
Plymouth, Michigan

36170 TEMPLATE

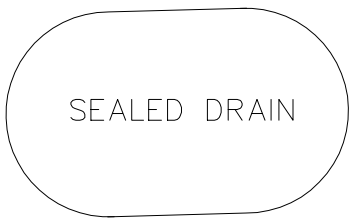


CUT ALONG DOTTED LINES

DO NOT REDUCE
TEMPLATE MUST REMAIN FULL
SIZE FOR USE. VERIFY HOLE
DIMENSIONS BEFORE USE.

ALIGN ARROWS WITH CENTER
OF RIBS IN TRUNK PAN

RIB IN TRUNK PAN



SEALED DRAIN



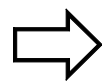
5-1/2"

CENTER PUNCH
AND DRILL 1/8"
HOLE HERE



CENTER PUNCH
AND DRILL 1/8"
HOLE HERE

5-1/2"



DRIVER'S SIDE
REAR OF VEHICLE

CENTER PUNCH
AND DRILL 1/8"
HOLE HERE

