

INSTALLATION INSTRUCTIONS

VEHICLE

CHRYSLER LHS
CHRYSLER CONCORD

3500 LB MAX GROSS TRAILER WT
300 LB MAX TONGUE WEIGHT
DO NOT EXCEED TOWING VEHICLE RATINGS

EQUIPMENT REQUIRED:

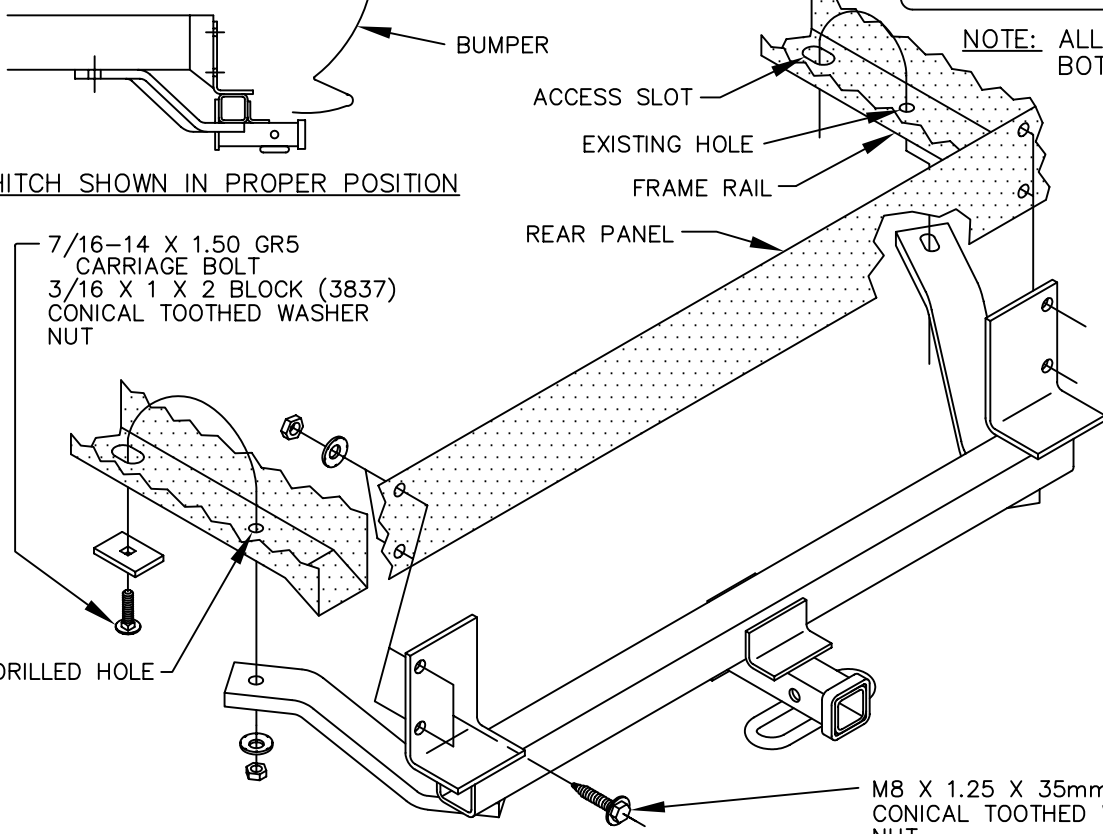
WIRING ACCESS LOCATION:

DRILL BITS: 1/2"

HITCH REQUIRES 1/2" PIN AND CLIP

WRENCHES: (TIGHTEN ALL FASTENERS WITH TORQUE WRENCH) 11/16, 13mm

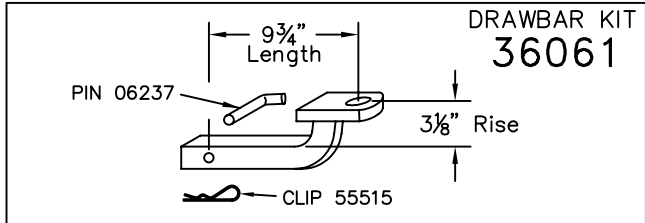
NOTE: ALL FASTENERS TYPICAL
BOTH SIDES OF VEHICLE



HITCH SHOWN IN PROPER POSITION

1. LOWER VEHICLE EXHAUST.
2. REMOVE THE FOUR (4) EXISTING BOLTS FROM REAR PANEL.
3. RAISE HITCH INTO POSITION AND INSTALL REAR MOST FASTENERS.
4. ON DRIVERS SIDE FRAME RAIL USE HITCH AS A TEMPLATE AND DRILL A 1/2" HOLE IN BOTTOM OF FRAME RAIL..
5. FISHWIRE REMAINING FASTENERS THRU ACCESS SLOTS IN EACH FRAME RAIL (ENLARGE SLOTS IF NECESSARY).
6. REATTACH VEHICLE EXHAUST.

TIGHTEN ALL 7/16 GR5 FASTENERS TO 50 LB-FT.
TIGHTEN ALL M8 CL9.8 FASTENERS TO 25 LB-FT.



USE ONLY THE DRAWBAR SHOWN FOR CORRECT BUMPER CLEARANCE AND HEIGHT.
DRAWBAR MUST BE USED IN THE RISE POSITION ONLY.

THIS PRODUCT COMPLIES WITH SAFETY SPECIFICATIONS AND REQUIREMENTS FOR CONNECTING DEVICES AND TOWING SYSTEMS OF THE STATE OF NEW YORK, V.E.S.C. REGULATION V-5 AND SAE J684.

APPROX WEIGHT (LB.)	FASTENER KIT
28	01131-071

NOTE: Check hitch frequently, making sure all fasteners and ball are properly tightened. If hitch is removed, plug all holes in trunk pan or other body panels to prevent entry of water and exhaust fumes. A hitch or ball which has been damaged should be removed and replaced. Observe safety precautions when working beneath a vehicle and wear eye protection. Follow car maker's specs for maximum trailer weight and tongue weight. Do not cut access or attachment holes with a torch.

TOWING PRODUCTS
Plymouth, Michigan