

INSTALLATION INSTRUCTIONS

VEHICLE

LEXUS RX300

EQUIPMENT REQUIRED:

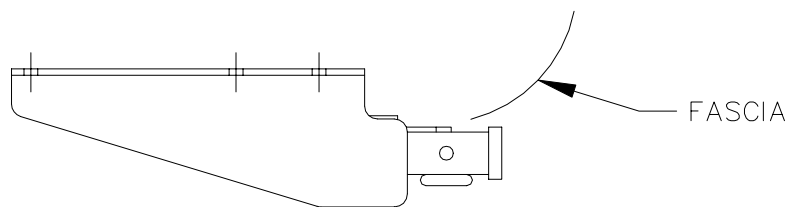
WIRING ACCESS LOCATION:

DRILL BITS:

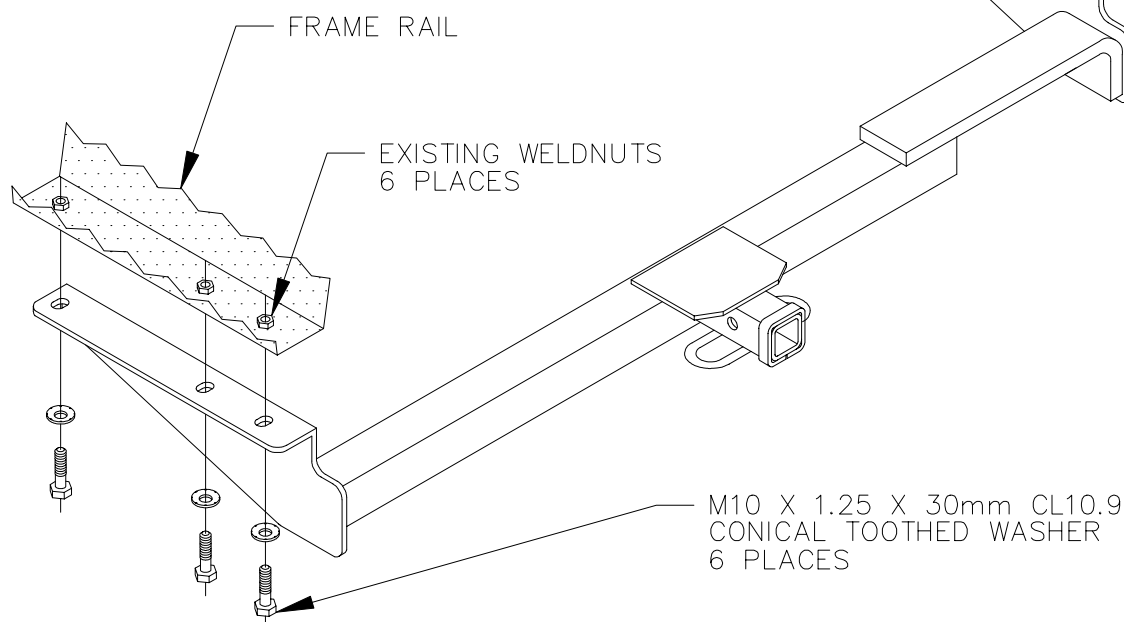
HITCH REQUIRES 1/2" PIN AND CLIP.

WRENCHES: (TIGHTEN ALL FASTENERS WITH TORQUE WRENCH) 14mm, 17mm

3500 LB MAX GROSS TRAILER WT
300 LB MAX TONGUE WEIGHT
DO NOT EXCEED TOWING VEHICLE RATINGS

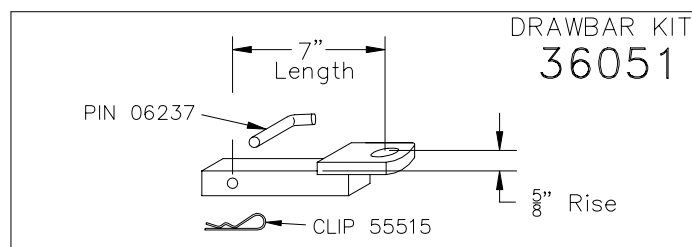


HITCH SHOWN IN PROPER POSITION



1. REMOVE TOW HOOKS FROM FRAME RAILS AND RETURN TO VEHICLE OWNER.
2. REMOVE PLASTIC CAP IN FOWARD ATTACHING HOLE.
3. RAISE HITCH INTO POSTION AND INSTALL FASTENERS AS SHOWN ABOVE.

TIGHTEN ALL M10 CL10.9 FASTENERS TO 42 LB-FT.



USE ONLY THE DRAWBAR SHOWN FOR CORRECT BUMPER CLEARANCE AND HEIGHT.
DRAWBAR MUST BE USED IN THE RISE POSITION ONLY.

THIS PRODUCT COMPLIES WITH SAFETY SPECIFICATIONS AND REQUIREMENTS FOR CONNECTING DEVICES AND TOWING SYSTEMS OF THE STATE OF NEW YORK, V.E.S.C. REGULATION V-5 AND SAE J684.

APPROX WEIGHT (LB.)

33

FASTENER KIT

01131-061

NOTE: Check hitch frequently, making sure all fasteners and ball are properly tightened. If hitch is removed, plug all holes in trunk pan or other body panels to prevent entry of water and exhaust fumes. A hitch or ball which has been damaged should be removed and replaced. Observe safety precautions when working beneath a vehicle and wear eye protection. Follow car maker's specs for maximum trailer weight and tongue weight. Do not cut access or attachment holes with a torch.

TOWING PRODUCTS
Plymouth, Michigan