

# INSTALLATION INSTRUCTIONS

VEHICLE

KIA SPORTAGE

## EQUIPMENT REQUIRED:

WIRING ACCESS LOCATION:

DRILL BITS: 1/2"

HITCH REQUIRES 1/2" PIN AND CLIP.

WRENCHES: (TIGHTEN ALL FASTENERS WITH TORQUE WRENCH) 17mm, 3/4

3500 LB MAX GROSS TRAILER WT  
300 LB MAX TONGUE WEIGHT  
DO NOT EXCEED TOWING VEHICLE RATINGS

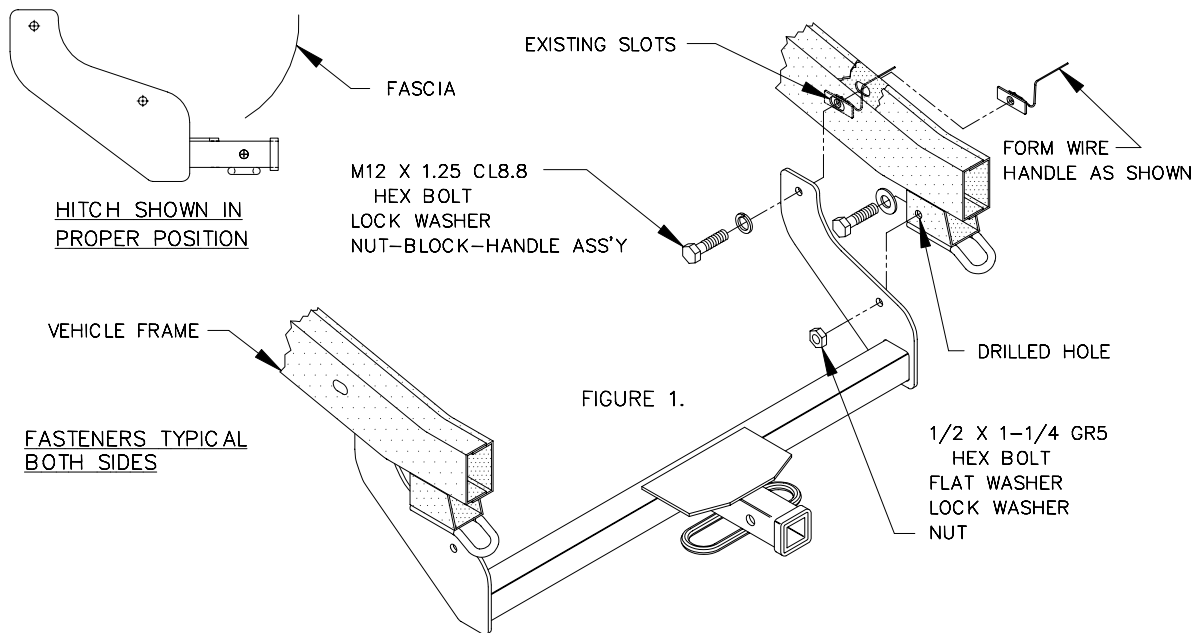


FIGURE 1.

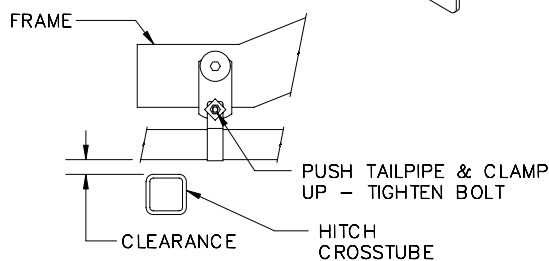


FIGURE 2.

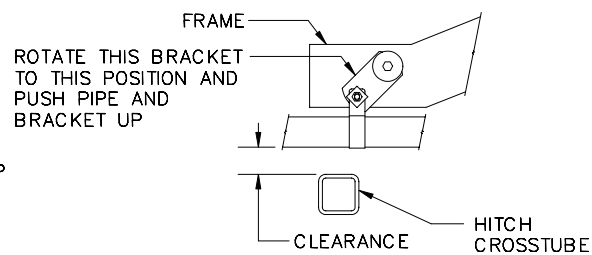
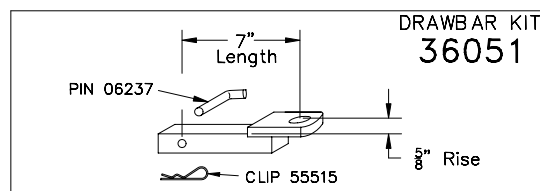


FIGURE 3.  
(ALTERNATE)

1. RAISE HITCH INTO POSITION
2. FEED NUT-BLOCK-HANDLE ASSEMBLIES THROUGH OUTER SLOT IN FRAME AND LOOSELY INSTALL 12mm HEX BOLTS THROUGH SIDE BRACKET AND INNER SLOT IN FRAME AS SHOWN IN FIGURE 1.
3. RAISE HITCH INTO POSITION SO THAT RECEIVER IS LEVEL WITH VEHICLE. HOLE IN HITCH SHOULD BE NEAR CENTER OF TIE DOWN LOOP EXTENSION. SEE FIGURE 1.
4. MARK AND DRILL 1/2" HOLE IN TIE DOWN LOOP EXTENSIONS. HITCH MAY BE LOWERED DURING DRILLING.
5. INSTALL 1/2" HEX BOLTS THROUGH SIDE BRACKET AND DRILLED HOLES AS SHOWN IN FIGURE 1.
6. ADDITIONAL TAILPIPE TO HITCH CLEARANCE MAY BE OBTAINED BY ONE OF THE FOLLOWING PROCEDURES:
  - A. LOOSEN LOWER TAILPIPE HANGER BOLT. PUSH TAILPIPE AND CLAMP UP AND TIGHTEN BOLT. SEE FIGURE 2.
  - B. LOOSEN LOWER TAILPIPE HANGER BOLT AND ROTATE BRACKET, PUSH TAILPIPE AND CLAMP UP. TIGHTEN BOLT IN POSITION SHOWN. SEE FIGURE 3.

TIGHTEN M12 CL8.8 FASTENERS TO 68 LB.-FT.  
TIGHTEN 1/2 GR5 FASTENERS TO 75 LB.-FT.



USE ONLY THE DRAWBAR SHOWN FOR CORRECT BUMPER CLEARANCE AND HEIGHT.  
DRAWBAR MUST BE USED IN THE RISE POSITION ONLY.

THIS PRODUCT COMPLIES WITH SAFETY SPECIFICATIONS AND REQUIREMENTS FOR CONNECTING DEVICES AND TOWING SYSTEMS OF THE STATE OF NEW YORK, V.E.S.C. REGULATION V-5 AND SAE J684.

APPROX WEIGHT (LB.)  
25

FASTENER KIT  
01130-956

NOTE: Check hitch frequently, making sure all fasteners and ball are properly tightened. If hitch is removed, plug all holes in trunk pan or other body panels to prevent entry of water and exhaust fumes. A hitch or ball which has been damaged should be removed and replaced. Observe safety precautions when working beneath a vehicle and wear eye protection. Follow car maker's specs for maximum trailer weight and tongue weight. Do not cut access or attachment holes with a torch.

TOWING PRODUCTS  
Plymouth, Michigan