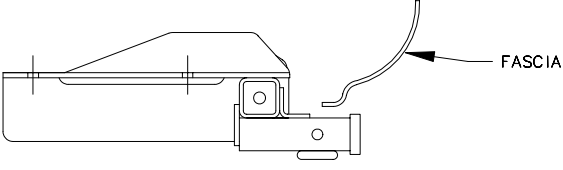


INSTALLATION INSTRUCTIONS

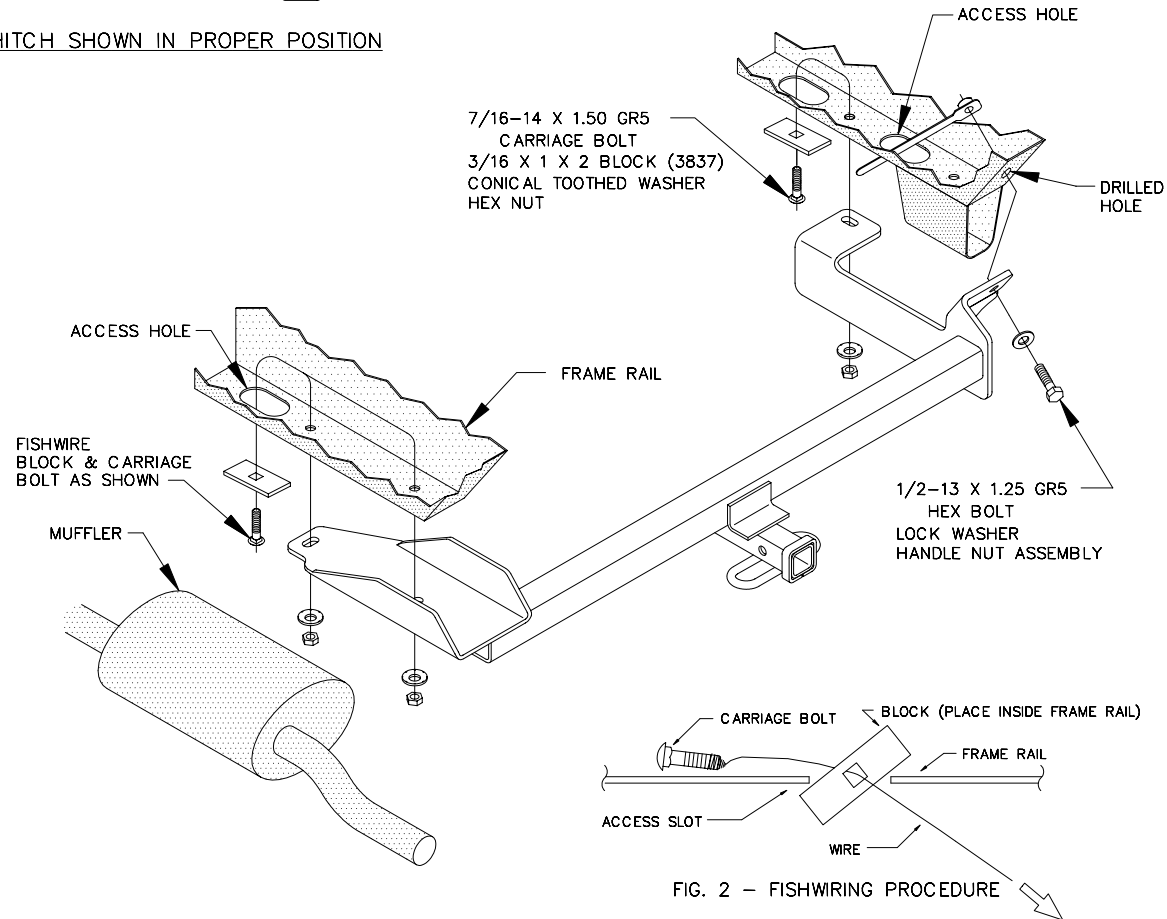
| | |
|----------------|----------------|
| VEHICLE | HITCH NO. |
| SAAB MODEL 9-3 | 36280 90042 |

EQUIPMENT REQUIRED:
 WIRING ACCESS LOCATION: PC1, PC2
 DRILL BITS: 1/2"
 HITCH REQUIRES 1/2" PIN & CLIP
 WRENCHES: (TIGHTEN ALL FASTENERS WITH TORQUE WRENCH) 11/16, 3/4

3500 LB MAX GROSS TRAILER WT
 300 LB MAX TONGUE WEIGHT
 DO NOT EXCEED TOWING VEHICLE RATINGS



HITCH SHOWN IN PROPER POSITION



1. TEMPORARILY LOWER VEHICLE EXHAUST.
2. RAISE HITCH INTO POSITION.
3. FISHWIRE CARRIAGE BOLTS AND BLOCKS (3837) THRU ACCESS HOLES IN FRAME AND SECURELY TIGHTEN HITCH TO VEHICLE.
4. USING HITCH AS A GUIDE, DRILL 1/2" HOLE IN REAR END OF PASSENGER SIDE FRAME RAIL.
5. INSTALL HANDLE NUT, HEX BOLT & LOCK WASHER AS SHOWN AND TIGHTEN ALL FASTENERS.

TIGHTEN 7/16-14 GR5 FASTENERS TO 50 LB.-FT.
 TIGHTEN 1/2-13 GR5 FASTENERS TO 50 LB.-FT.

| | |
|--|--|
| DESIGNED FOR USE WITH PIN 2210 CLIP 2209 DRAWBAR 36003 ZINC | DRAWBAR REPLACEMENT KIT (INCLUDES PIN & CLIP) 36053 ZINC NOTE: REPLACEMENT DRAWBAR AVAILABLE ONLY IN KIT. PINS & CLIPS AVAILABLE SEPARATELY. |
| USE ONLY DRAWBAR SHOWN FOR CORRECT BUMPER CLEARANCE & HEIGHT. REMOVE DRAWBAR WHEN NOT TOWING TO PROTECT DRAWBAR OPENING IN HITCH WHEN NOT TOWING, INSERT COVER #2211 (PURCHASED SEPARATELY). | |

THIS PRODUCT COMPLIES WITH SAFETY SPECIFICATIONS AND REQUIREMENTS FOR CONNECTING DEVICES AND TOWING SYSTEMS OF THE STATE OF NEW YORK AND V.E.S.C. REGULATION V-5.

| | | | |
|---------------------|------|------------------|--------|
| APPROX WEIGHT (LB.) | 29.5 | FASTENER KIT NO. | K36280 |
|---------------------|------|------------------|--------|

NOTE: Check hitch frequently, making sure all fasteners and ball are properly tightened. If hitch is removed, plug all holes in trunk pan or other body panels to prevent entry of water and exhaust fumes. A hitch or ball which has been damaged should be removed and replaced. Observe safety precautions when working beneath a vehicle and wear eye protection. Follow car maker's specs for maximum trailer weight and tongue weight. Do not cut access or attachment holes with a torch.

TOWING PRODUCTS
 Plymouth, Michigan