

INSTALLATION INSTRUCTIONS

EQUIPMENT REQUIRED:

WIRING ACCESS LOCATION: PC3, PC4

DRILL BITS: 3/8

HITCH REQUIRES 1/2" PIN AND CLIP.

WRENCHES: (TIGHTEN ALL FASTENERS WITH TORQUE WRENCH) 9/16, 11/16, 13mm

VEHICLE

CHRYSLER IMPERIAL
CHRYSLER LEBARON 2 DR. COUPE
CHRYSLER LEBARON 4DR. (NOT GTS)
CHRYSLER NEW YORKER
CHRYSLER NEW YORKER TURBO
DODGE DYNASTY
DODGE SPIRIT
PLYMOUTH ACCLAIM

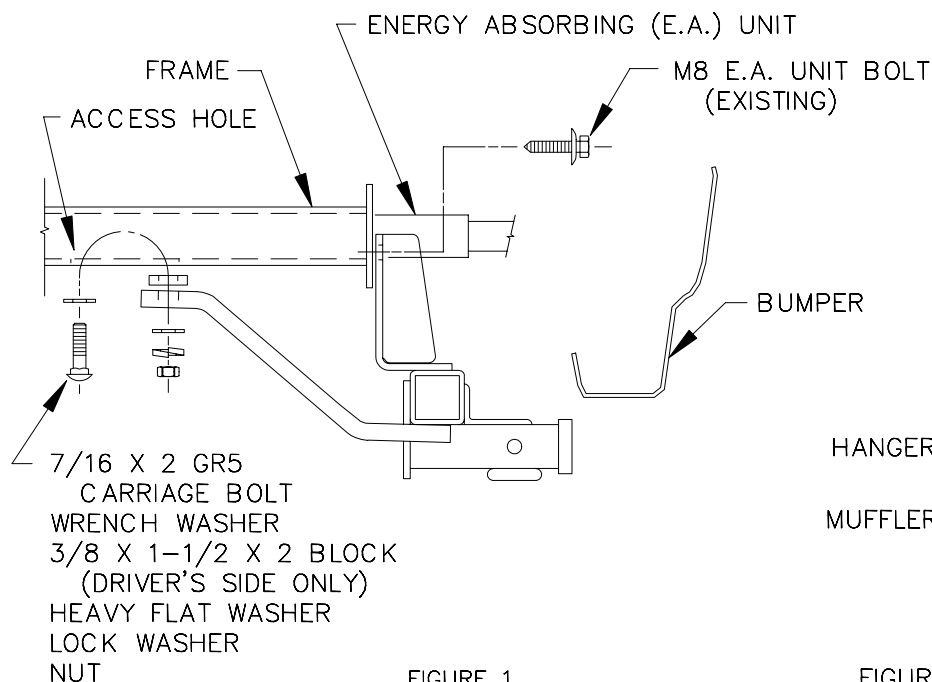


FIGURE 1

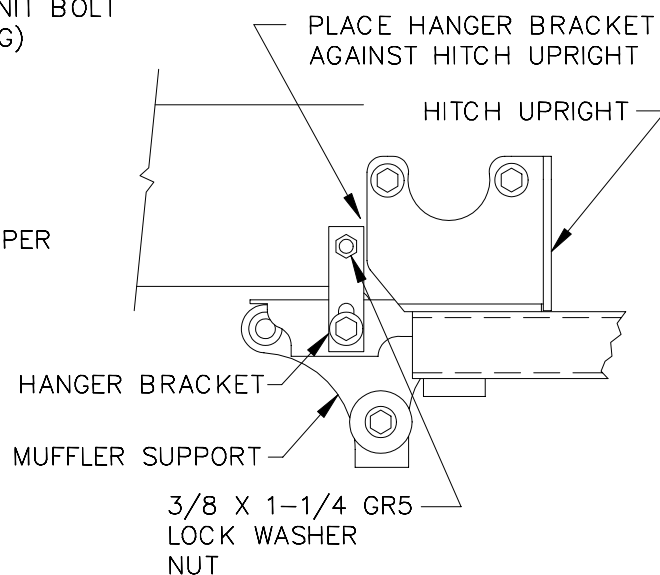


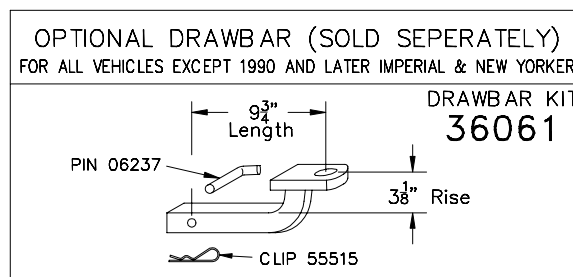
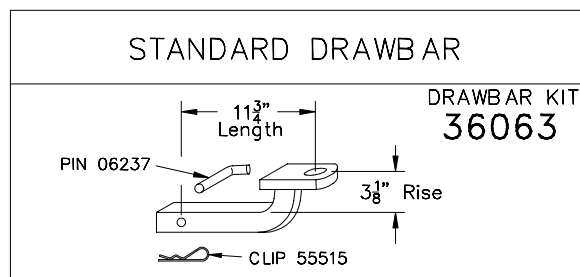
FIGURE 2 - REAR VIEW OF VEHICLE

1. REMOVE AND SAVE FOUR (4) M8 BOLTS WHICH HOLD E.A. UNIT TO FRAME (TWO BOLTS PER SIDE).
2. REMOVE AND SAVE M8 BOLT WHICH HOLDS MUFFLER SUPPORT TO REAR FRAME FACE.
3. FISHWIRE 7/16 X 2 CARRIAGE BOLTS AND WRENCH WASHERS INTO EXISTING HOLES IN FRAME USING FORWARD ACCESS HOLES.
4. POSITION HITCH OVER BOLTS, PLACING 3/8 BLOCK BETWEEN HITCH AND FRAME ON THE DRIVER'S SIDE. INSTALL HEAVY FLAT WASHERS, LOCK WASHERS, AND NUTS AS SHOWN IN FIGURE 1. REPLACE M8 E.A. UNIT BOLTS (REMOVED IN STEP 1).
5. ATTACH HANGER BRACKET TO MUFFLER SUPPORT USING M8 BOLT (REMOVED IN STEP 2). MOVE HANGER BRACKET AGAINST VERTICAL SURFACE OF HITCH UPRIGHT AS SHOWN IN FIGURE 2. ADJUST EXHAUST VERTICALLY AS REQUIRED TO CLEAR HITCH SIDE ARM. DRILL A 3/8" HOLE IN REAR FRAME FACE. ATTACH BRACKET TO VEHICLE USING 3/8 X 1-1/4 BOLT, LOCK WASHER AND NUT.

TIGHTEN M8 CL9.8 FASTENERS TO 25 LB.-FT.

TIGHTEN 3/8 GR5 FASTENERS TO 31 LB.-FT.

TIGHTEN 7/16 GR5 FASTENERS TO 50 LB.-FT.



USE ONLY THE DRAWBAR SHOWN FOR CORRECT BUMPER CLEARANCE AND HEIGHT.
DRAWBAR MUST BE USED IN THE RISE POSITION ONLY.

THIS PRODUCT COMPLIES WITH SAFETY SPECIFICATIONS AND REQUIREMENTS FOR CONNECTING DEVICES AND TOWING SYSTEMS OF THE STATE OF NEW YORK, V.E.S.C. REGULATION V-5 AND SAE J684.

APPROX WEIGHT (LB.)

35.1

FASTENER KIT

01130-743

NOTE: Check hitch frequently, making sure all fasteners and ball are properly tightened. If hitch is removed, plug all holes in trunk pan or other body panels to prevent entry of water and exhaust fumes. A hitch or ball which has been damaged should be removed and replaced. Observe safety precautions when working beneath a vehicle and wear eye protection. Follow car maker's specs for maximum trailer weight and tongue weight. Do not cut access or attachment holes with a torch.

TOWING PRODUCTS
Plymouth, Michigan