

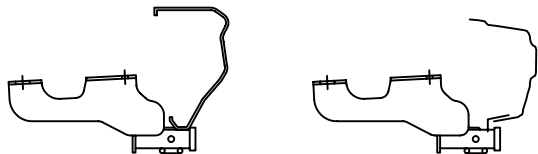
INSTALLATION INSTRUCTIONS

EQUIPMENT REQUIRED: CHISEL
 WIRING ACCESS LOCATION: SUV1, SUV2
 DRILL BITS: 15/32
 HITCH REQUIRES 1/2" PIN & CLIP
 WRENCHES: (TIGHTEN ALL FASTENERS WITH TORQUE WRENCH) 11/16, 7/8

VEHICLE

CHRYSLER TOWN & COUNTRY**
 DODGE CARAVAN
 DODGE GRAND CARAVAN**
 DODGE MINI RAM VAN
 PLYMOUTH VOYAGER
 PLYMOUTH GRAND VOYAGER**

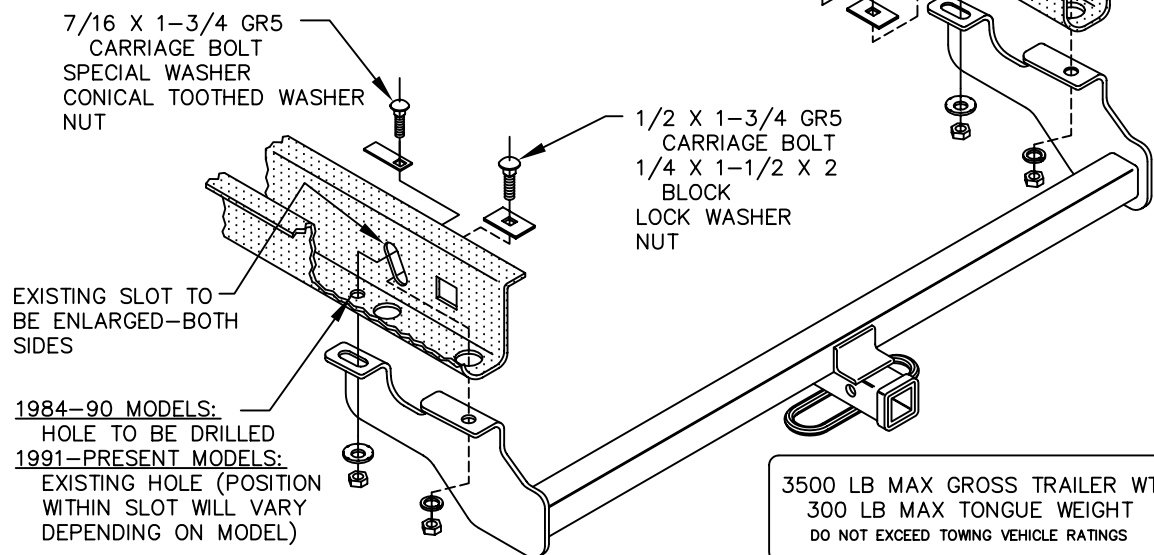
** DOES NOT FIT 4WD MODELS



1991-PRESENT MODELS 1984-1990 MODELS

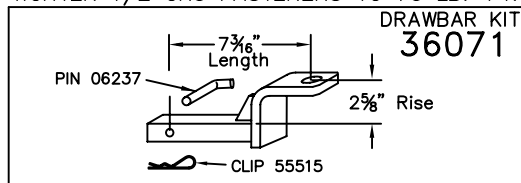
HITCH SHOWN IN POSITION ON VEHICLE

WARNING
 WILL FIT ALL MODELS WITH 14" TIRES AND COMPACT SPARE (EXCEPT 4WD)
 INSTALLATION OF HITCH REQUIRES THE REMOVAL OF SPARE TIRE FROM UNDER VEHICLE ON THE FOLLOWING MODELS:
 115" WHEELBASE (SHORT WHEELBASE), 2 AND 4 WHEEL DRIVE WITH 15" TIRES OR FULL SIZE SPARE TIRE.
 STOWAGE OF SPARE TIRE UNDER THESE MODELS MAY CAUSE DAMAGE TO REAR AXLE AND/OR BRAKING SYSTEM.



1. REMOVE ALL BUT A THIN LAYER OF UNDERCOATING FROM ATTACHING SURFACES.
2. ENLARGE 1-1/4 LONG X 3/4 WIDE SLOT ON SIDE OF FRAME RAIL TO ACCEPT 1-1/2 WIDE BLOCK AND 1/2 X 1-3/4 GR5 CARRIAGE BOLT. INDIVIDUALLY FISHWIRE BLOCK AND BOLT INTO EXISTING 1" HOLE AT END OF FRAME RAIL, EACH SIDE.
3. RAISE HITCH INTO POSITION. LOOSELY INSTALL LOCK WASHER AND NUT, EACH SIDE.
4. CENTER HITCH ON VEHICLE.
5. 1984-90 MODELS: USE FORWARD HOLES IN HITCH AS A TEMPLATE TO DRILL 15/32 HOLES IN FRAME RAILS.
1991-PRESENT MODELS: POSITION OF EXISTING HOLES WITHIN SLOTS WILL VARY DEPENDING ON MODEL.
6. FISHWIRE 7/16 X 1-3/4 GR5 CARRIAGE BOLT AND SPECIAL WASHER THROUGH ACCESS SLOT AND INTO FORWARD HOLES.

TIGHTEN 7/16 GR5 FASTENERS TO 50 LB.-FT.
 TIGHTEN 1/2 GR5 FASTENERS TO 75 LB.-FT.



USE ONLY THE DRAWBAR SHOWN FOR CORRECT BUMPER CLEARANCE AND HEIGHT.
 DRAWBAR MUST BE USED IN THE RISE POSITION ONLY.

THIS PRODUCT COMPLIES WITH SAFETY SPECIFICATIONS AND REQUIREMENTS FOR CONNECTING DEVICES AND TOWING SYSTEMS OF THE STATE OF NEW YORK, V.E.S.C. REGULATION V-5 AND SAE J684.

APPROX WEIGHT (LB.)	FASTENER KIT
25	01130-868

NOTE: Check hitch frequently, making sure all fasteners and ball are properly tightened. If hitch is removed, plug all holes in trunk pan or other body panels to prevent entry of water and exhaust fumes. A hitch or ball which has been damaged should be removed and replaced. Observe safety precautions when working beneath a vehicle and wear eye protection. Follow car maker's specs for maximum trailer weight and tongue weight. Do not cut access or attachment holes with a torch.

TOWING PRODUCTS
 Plymouth, Michigan