

# INSTALLATION INSTRUCTIONS

EQUIPMENT REQUIRED:

WIRING ACCESS LOCATION:

DRILL BITS:

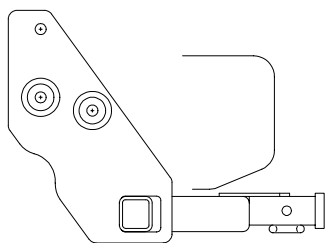
HITCH REQUIRES 1/2" PIN &amp; CLIP

WRENCHES: (TIGHTEN ALL FASTENERS WITH TORQUE WRENCH) 17mm

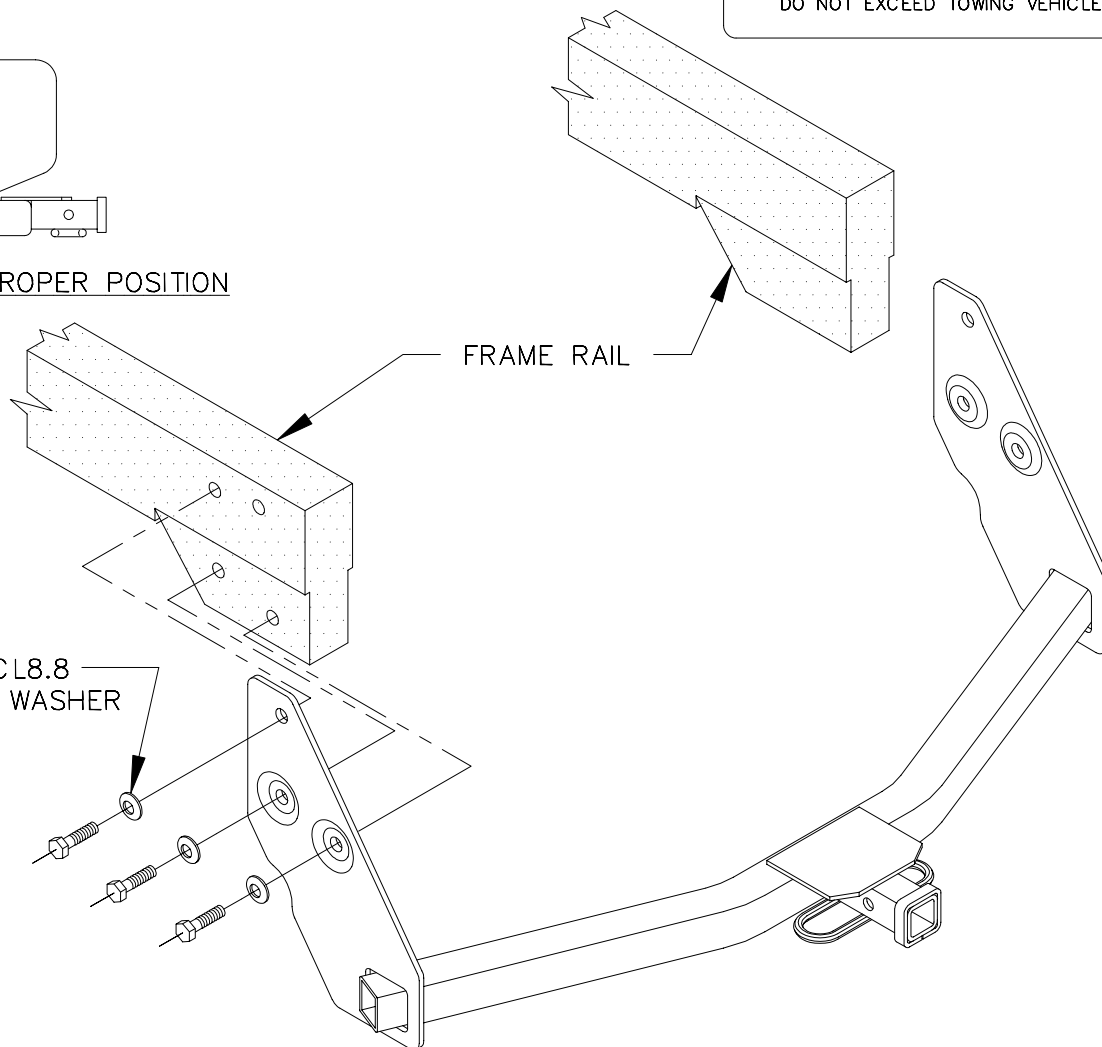
VEHICLE

NISSAN PATHFINDER  
INFINITI QX4

3500 LB MAX GROSS TRAILER WT  
300 LB MAX TONGUE WEIGHT  
DO NOT EXCEED TOWING VEHICLE RATINGS



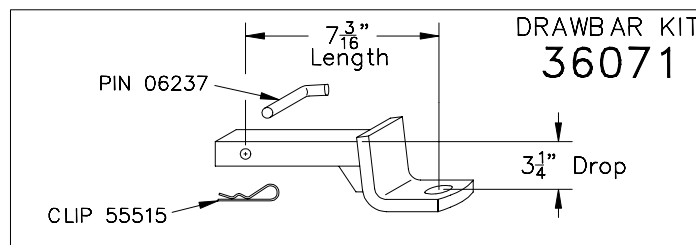
HITCH SHOWN IN PROPER POSITION



M12 X 1.25 X 35 CL8.8  
CONICAL TOOTHED WASHER  
(6 PLACES)

1. REMOVE TOW HOOKS FROM EACH FRAME RAIL.
2. RAISE HITCH INTO POSITION AND INSERT FASTENERS AS SHOWN ABOVE.
3. RETURN FASTENERS AND TOW HOOKS TO VEHICLE OWNER.

TIGHTEN ALL M12 CL8.8 FASTENERS TO 68 LB-FT.



USE ONLY THE DRAWBAR SHOWN FOR CORRECT BUMPER CLEARANCE AND HEIGHT.  
DRAWBAR MUST BE USED IN THE DROP POSITION ONLY.

THIS PRODUCT COMPLIES WITH SAFETY SPECIFICATIONS AND REQUIREMENTS FOR CONNECTING DEVICES AND TOWING SYSTEMS OF THE STATE OF NEW YORK, V.E.S.C. REGULATION V-5 AND SAE J684.

APPROX WEIGHT (LB.)

30

FASTENER KIT

01131-127

NOTE: Check hitch frequently, making sure all fasteners and ball are properly tightened. If hitch is removed, plug all holes in trunk pan or other body panels to prevent entry of water and exhaust fumes. A hitch or ball which has been damaged should be removed and replaced. Observe safety precautions when working beneath a vehicle and wear eye protection. Follow car maker's specs for maximum trailer weight and tongue weight. Do not cut access or attachment holes with a torch.

TOWING PRODUCTS  
Plymouth, Michigan