

# INSTALLATION INSTRUCTIONS

EQUIPMENT REQUIRED:

WIRING ACCESS LOCATION: SUV1, SUV2

DRILL BITS: 1/2

HITCH REQUIRES 1/2" PIN AND CLIP

WRENCHES: (TIGHTEN ALL FASTENERS WITH TORQUE WRENCH) 7/8, 17mm, 18mm

VEHICLE

HITCH NO.

KIA SEDONA

36305

06029

3500 LB MAX GROSS TRAILER WT  
300 LB MAX TONGUE WEIGHT  
DO NOT EXCEED TOWING VEHICLE RATINGS

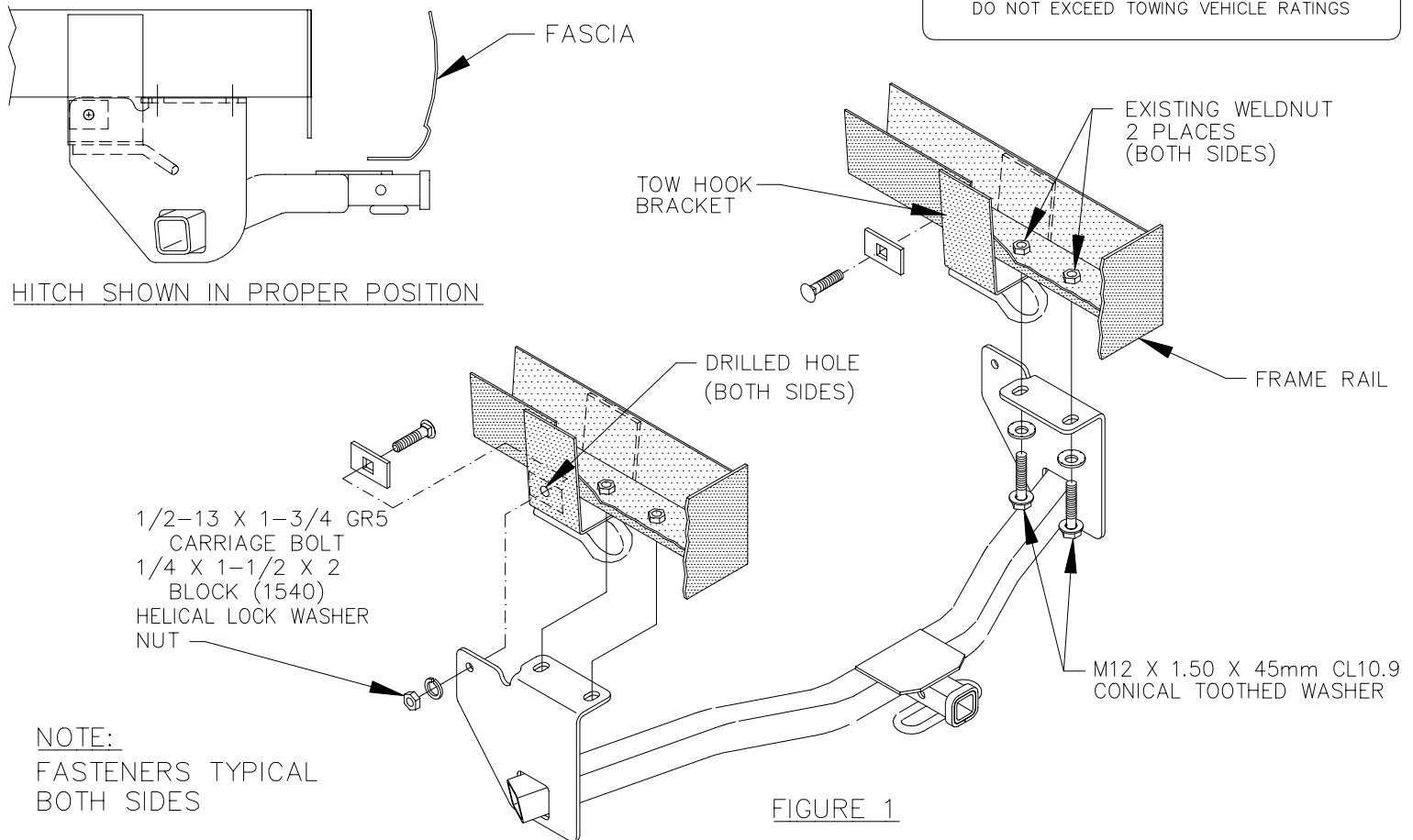
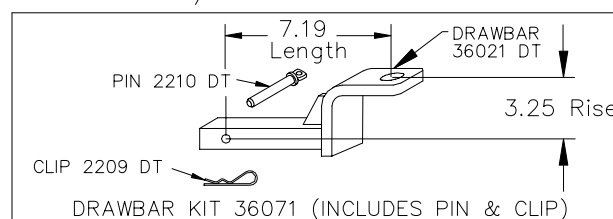


FIGURE 1

1. REMOVE THE FOUR (4) EXISTING BUMPER BOLTS FROM THE BOTTOM OF THE FRAME RAILS AND RETURN TO VEHICLE OWNER.
2. RAISE HITCH INTO POSITION AND INSTALL HEX BOLTS AND CONICAL TOOTHED WASHERS INTO EXISTING WELDNUTS IN FRAME.
3. USING THE HITCH AS A TEMPLATE, DRILL A 1/2 HOLE THRU TOW HOOK BRACKET AS SHOWN.
4. INSTALL CARRIAGE BOLTS AND BLOCKS (1540) TO THE INSIDE SURFACE OF TOW HOOK BRACKETS.
5. INSTALL HELICAL LOCK WASHERS AND HEX NUTS ON CARRIAGE BOLTS.

TIGHTEN ALL M12 CL10.9 FASTENERS TO 92 LB-FT.  
TIGHTEN ALL 1/2-13 FASTENERS TO 75 LB-FT.



USE ONLY THE DRAWBAR SHOWN FOR CORRECT BUMPER CLEARANCE AND HEIGHT.  
DRAWBAR MUST BE USED IN THE RISE POSITION ONLY.

THIS PRODUCT COMPLIES WITH SAFETY SPECIFICATIONS AND REQUIREMENTS FOR CONNECTING DEVICES AND TOWING SYSTEMS OF THE STATE OF NEW YORK AND V.E.S.C. REGULATION V-5.

APPROX WEIGHT (LB.)

31

FASTENER KIT

F36305

NOTE: Check hitch frequently, making sure all fasteners and ball are properly tightened. If hitch is removed, plug all holes in trunk pan or other body panels to prevent entry of water and exhaust fumes. A hitch or ball which has been damaged should be removed and replaced. Observe safety precautions when working beneath a vehicle and wear eye protection. Follow car maker's specs for maximum trailer weight and tongue weight. Do not cut access or attachment holes with a torch.

**TOWING PRODUCTS**

Canton, Michigan  
Elkhart, Indiana