

INSTALLATION INSTRUCTIONS

EQUIPMENT REQUIRED:

WIRING ACCESS LOCATION: PC3, PC4

DRILL BITS: 1/2"

HITCH REQUIRES 1/2" PIN AND CLIP

WRENCHES: (TIGHTEN ALL FASTENERS WITH TORQUE WRENCH) 12mm, 14mm, 3/4", 7/8"

| VEHICLE | HITCH NO. |
|---------------------------|-----------|
| VOLVO 850 SEDAN AND WAGON | 36262 |
| S70 SEDAN & V70 WAGON | 06024 |
| C70 COUPE | 90205 |

3500 LB MAX GROSS TRAILER WT
300 LB MAX TONGUE WEIGHT
DO NOT EXCEED TOWING VEHICLE RATINGS

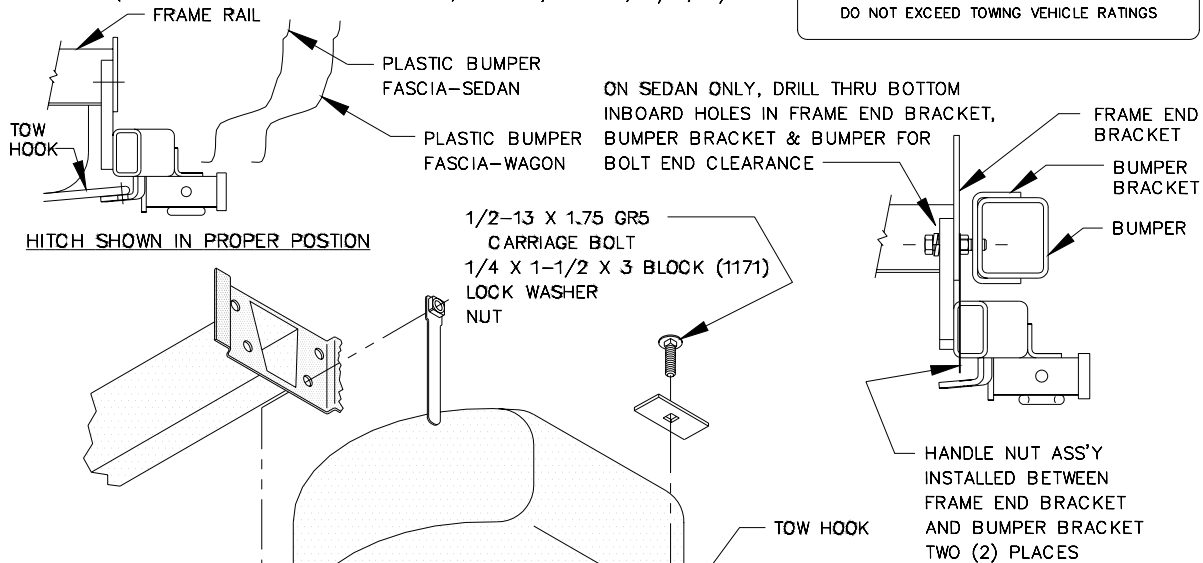


FIGURE 1

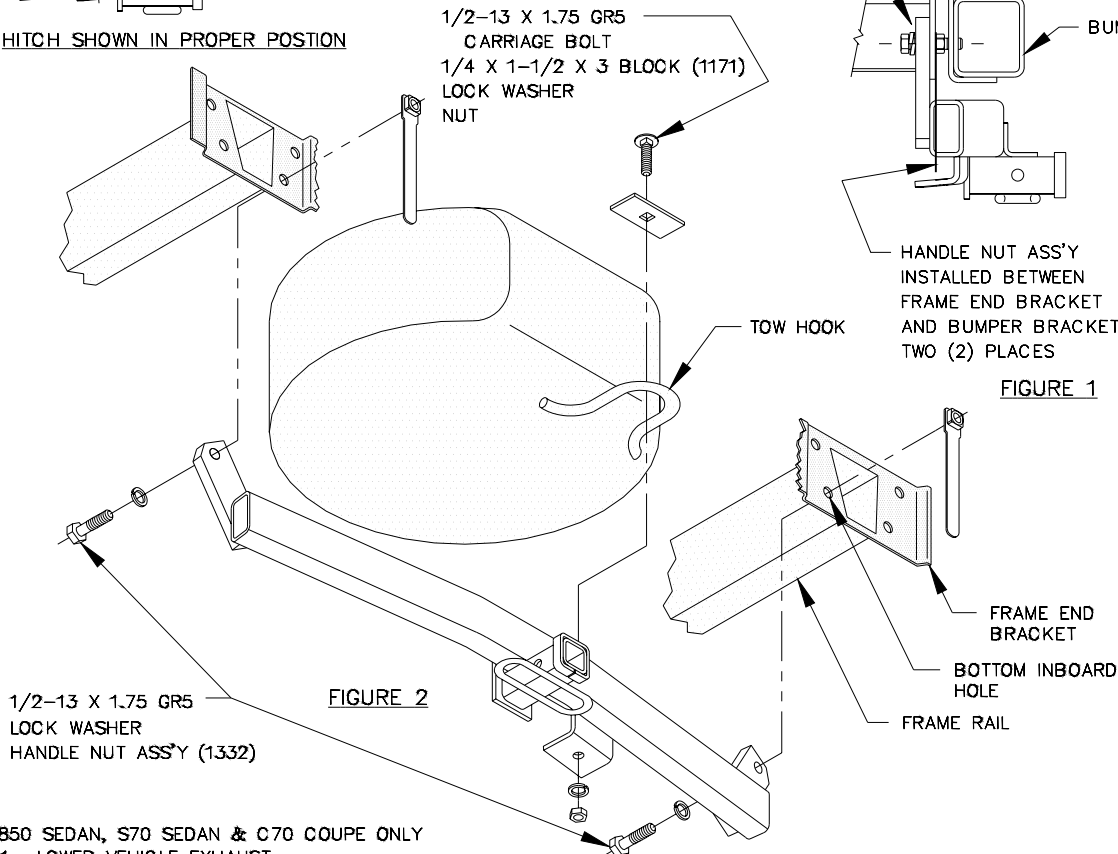


FIGURE 2

850 SEDAN, S70 SEDAN & C70 COUPE ONLY

1. LOWER VEHICLE EXHAUST.
2. DRILL THRU BOTTOM INBOARD HOLES IN FRAME END BRACKETS, INTO BUMPER BRACKET AND BUMPER FOR BOLT END CLEARANCE AS SHOWN IN FIGURE 1.
3. LOOSEN THREE (3) BOLTS THAT ATTACH BUMPER BRACKET TO END OF THE FRAME RAIL.

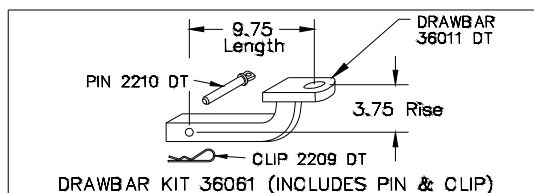
S70 SEDAN & C70 COUPE ONLY

4. SLIDE LOOSENED BUMPER REARWARD AND INSTALL HANDLE NUTS BETWEEN END OF FRAME RAIL & BUMPER BRACKETS.
5. PARTIALLY INSTALL 1/2" BOLTS INTO THE HANDLE NUTS TO ALIGN THE HANDLE NUTS WITH BOTTOM INBOARD HOLES AS SHOWN IN FIGURE 2.
6. TIGHTEN THREE (3) BUMPER BRACKET BOLTS, ON EACH SIDE OF FRAME RAIL TO 38 LB.-FT., REMOVE 1/2" BOLTS USED FOR ALIGNMENT.

ALL MODELS

7. RAISE HITCH INTO POSITION AND INSTALL FASTENERS AS SHOWN IN FIGURE 2.
8. RAISE AND REATTACH VEHICLE EXHAUST.

TIGHTEN ALL 1/2 GR5 FASTENERS TO 75 LB.-FT.



USE ONLY THE DRAWBAR SHOWN FOR CORRECT BUMPER CLEARANCE AND HEIGHT.
DRAWBAR MUST BE USED IN THE RISE POSITION ONLY.

THIS PRODUCT COMPLIES WITH SAFETY SPECIFICATIONS AND REQUIREMENTS FOR CONNECTING DEVICES AND TOWING SYSTEMS OF THE STATE OF NEW YORK AND V.E.S.C. REGULATION V-5.

| APPROX WEIGHT (LB.) | FASTENER KIT NO. |
|---------------------|------------------|
| 22 | 1131-045 |

NOTE: Check hitch frequently, making sure all fasteners and ball are properly tightened. If hitch is removed, plug all holes in trunk pan or other body panels to prevent entry of water and exhaust fumes. A hitch or ball which has been damaged should be removed and replaced. Observe safety precautions when working beneath a vehicle and wear eye protection. Follow car maker's specs for maximum trailer weight and tongue weight. Do not cut access or attachment holes with a torch.

TOWING PRODUCTS