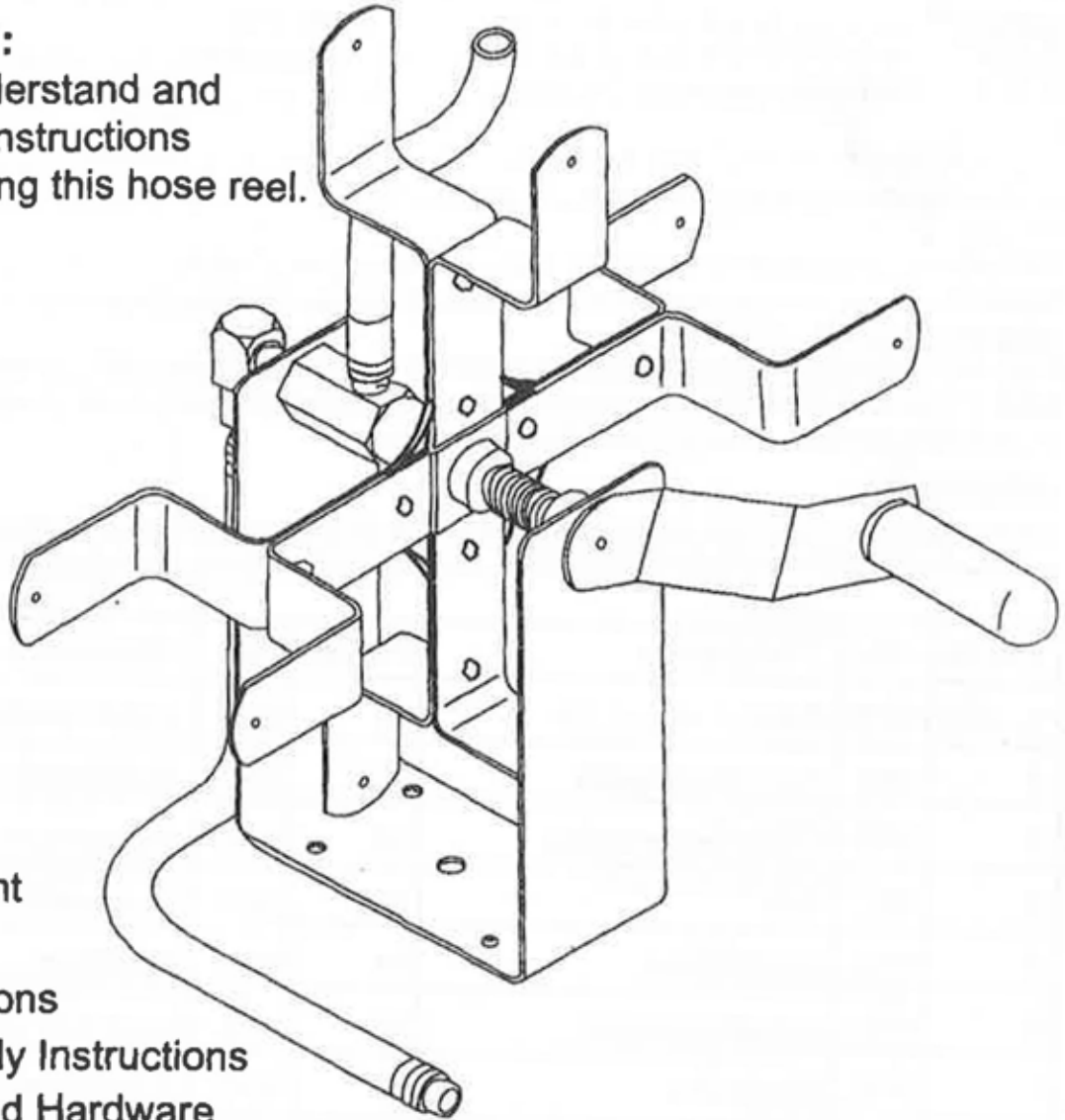


# Air Hose Reel Owner's Manual

**CAUTION:**

Read, understand and follow all instructions before using this hose reel.



- Important Safety Instructions
- Assembly Instructions
- Parts and Hardware Identification

## SPECIFICATIONS

Capacities: 100 feet 3/8" hose or 50 feet 1/2" hose

Maximum Pressure: 120PSI

Maximum Air Flow: 25CFM

## SAVE THIS MANUAL

You will need this manual for the safety instructions, assembly instructions, operating procedures, parts list, and warranty. Put them in a safe, dry place for future reference.

## SAFETY PRECAUTIONS

### READ ALL INSTRUCTIONS BEFORE USING THIS TOOL

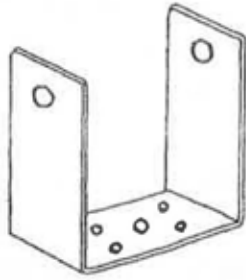
- 1.KEEP WORK AREA CLEAN. Cluttered areas invite injuries.
- 2.CONSIDER WORK AREA CONDITIONS. Don't assemble in damp, wet, or poorly lit locations. Don't expose to rain. Keep work area well lit.
- 3.KEEP CHILDREN AWAY. All children should be kept away from the work area.
- 4.USE THE RIGHT TOOL. Don't force a small tool or attachment to do the work of a larger tool. Don't use a tool for a purpose for which it was not intended.
5. USE EYE PROTECTION. Use goggles that are ANSI approved against impacts and shattering.
6. STAY ALERT. Watch what you are doing: use common sense. Don't assemble when you are tired.
- 7.REPLACEMENT PARTS AND ACCESSORIES. When servicing, use only identical replacement parts. Only use accessories intended for use with this tool. Approved accessories are available from us.
- 8.READ ALL MANUALS REGARDING AIR TOOLS YOU ARE USING. Make sure to obey all noted precautions regarding the use of hoses, tools and fittings when using your new reel.
- 9.DO NOT WRAP HOSE AROUND ANY PART OF BODY. Use reel to coil hoses, not your arms. If hose should become pressurized when wrapped around body parts. It will cause severe bodily damage, up to and including amputation.

## UNPACKING

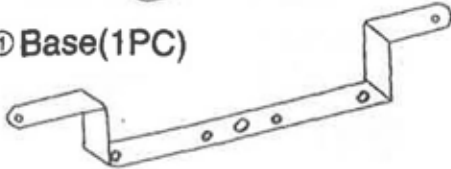
When you receive your new Air Hose Reel, it will be disassembled. Check to insure that you have received the following loose parts. Contact us if any parts are missing.

Part No.	Qty.	Description	Part No.	Qty.	Description
1	1PC	Base	10	2PC	Larger Washer
2	2PC	Flat Center Spoke	11	1PC	Retaining Ring
3	2PC	Offset Center Spoke	12	1PC	Dipped Handle
4	1PC	Axle	13	1PC	Larger locknut
5	1PC	Handle Shaft	14	4PC	Short Bolt
6	1PC	Hexagon Adapter	15	4PC	Long Bolt
7	2PC	Plastic Cap	16	8PC	Small Locknut
8	1PC	Spring	17	16PC	Small Washer
9	1PC	1/4"NPT Brass Swivel Elbow			

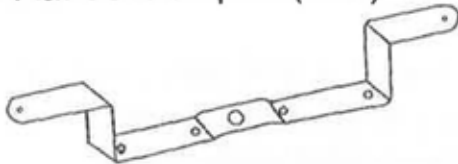
**PARTS LIST:**



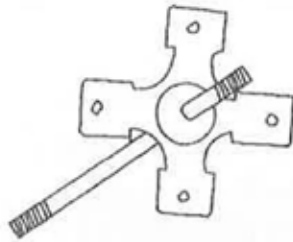
① Base(1PC)



② Flat Center Spoke(2PC)



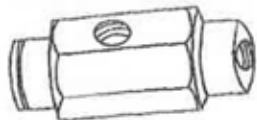
③ Offset Center Spoke(2PC)



④ Axle(1PC)



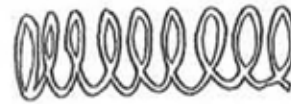
⑤ Handle Shaft(1PC)



⑥ Hexagon Adapter(1PC)



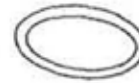
⑦ Plastic Cap(2PC)



⑧ Spring(1PC)



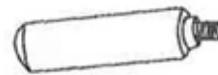
⑨ 1/4" NPT Brass Swivel Elbow(1PC)



⑩ Larger Washer(2PC)



⑪ Retaining Ring(1PC)



⑫ Dipped Handle(1PC)



⑬ Larger Locknut(1PC)



⑭ Short Bolt(4PC)



⑮ Long Bolt(4PC)

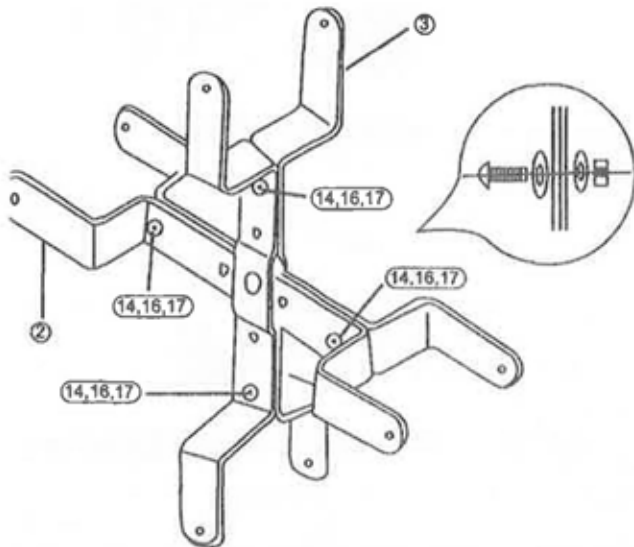


⑯ Small Locknut(8PC)



⑰ Small Washer(16PC)

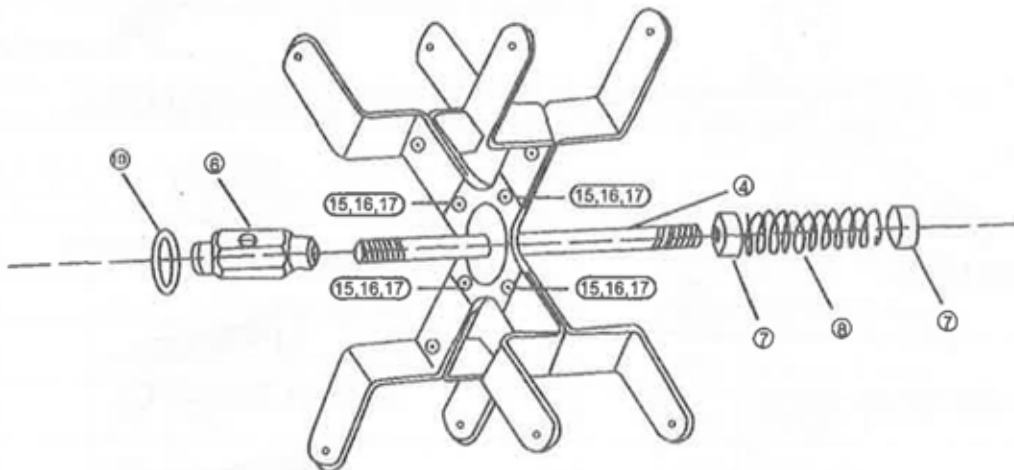
## ASSEMBLY INSTRUCTION:



Step1: Unpack and inspect all Air Hose Reel components. Make sure all parts listed above are enclosed.

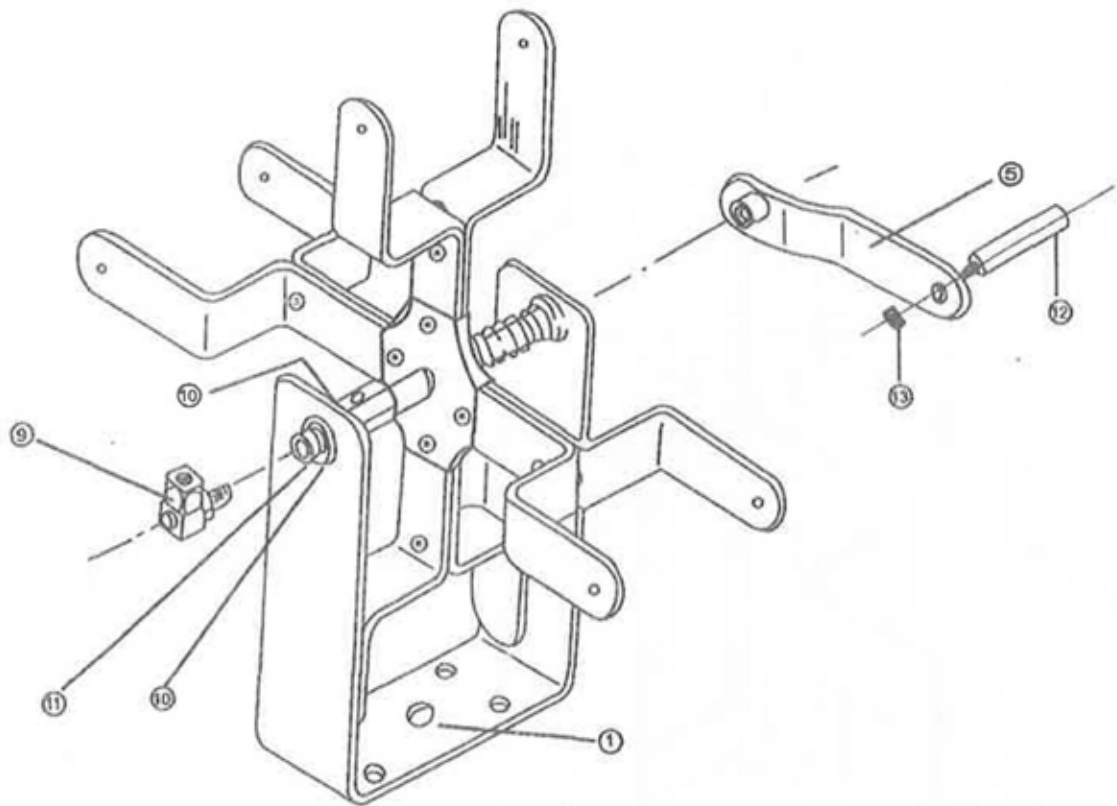
Step2: Assemble two Flat Center Spoke<sup>2</sup> with two Short Bolts<sup>14</sup>, two Small Locknuts<sup>16</sup> and four Small Washers<sup>17</sup> into the holes near open end of spoke. Do not tighten them.

STEP3: Assemble two Offset Center Spoke<sup>3</sup> with one Short Bolt<sup>14</sup>, one Small Locknut<sup>16</sup> and two Small Washers<sup>17</sup> into a outside hole. Insert assembled Flat Center Spokes<sup>2</sup> into Offset Center Spokes<sup>3</sup>. Install another bolt, locknut and washers. Do not tighten them.



STEP4: Align larger center holes and insert the Axle<sup>4</sup>. Install four Long Bolts<sup>15</sup>, four Small Locknuts<sup>16</sup> and eight Small washers<sup>17</sup> into four inside holes. Tighten all bolts and locknuts securely.

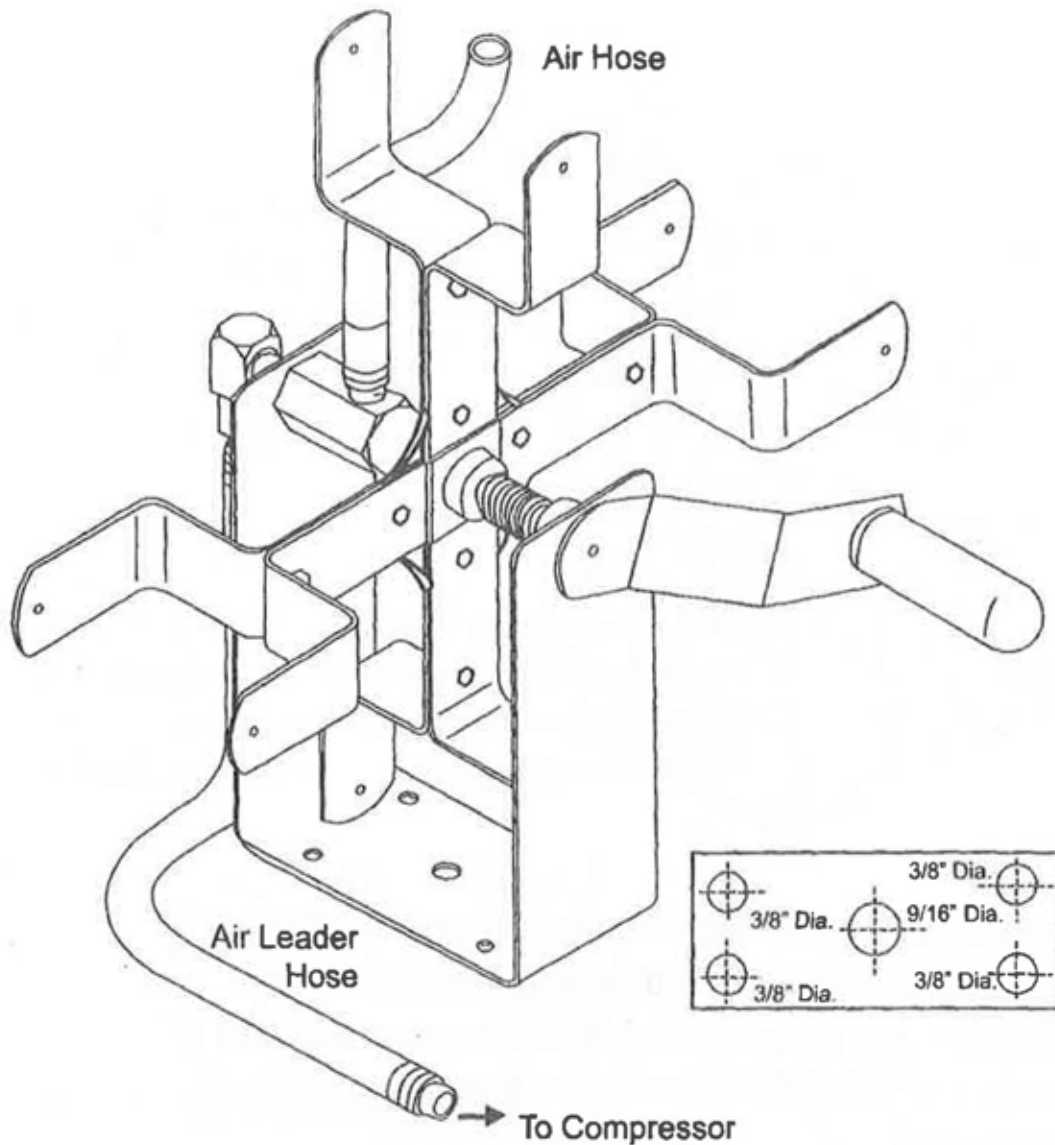
STEP5: Clockwise rotate the Hexagon Adapter<sup>6</sup> into the longer end of the Axle<sup>4</sup> with the normal thread(Not 1/4" NPT) and tighten it securely. On the opposite short end, install plastic cover<sup>7</sup>, Spring<sup>8</sup> and plastic Cap<sup>7</sup> one by one.



**Step6:** Install the Large Washer ⑩ on the Hexagon Adapter. Insert it into the larger hole on the Base ① and install another Large Washer ⑩ and Retaining Ring ⑪. On the other side face of the Base ① , clockwise rotate the Handle Shaft ⑨ and hand tighten it securely.

**Step7:** Install the Dipped Handle ⑫ with Large Locknut ⑬ and tighten.

**Step8:** Use pipe thread sealant to seal joint of 1/4" NPT Brass Swivel Elbow ⑥ and install carefully into the air inlet of the Hexagon Adapter ⑥ . Tighten carefully.



**Step9:** Install your Air Hose Reel in a secure manner at the four attachment holes or the center hole provided by the bottom of Base®.

**Step10:** Attach one end of the air leader hose to 1/4" NPT Brass Swivel Elbow®, the other end to the compressor.

**Step11:** Attach the air hose to air outlet of Hexagon Adapter®.

Reel may be used right or left handed depending upon the direction of the air hose wrap. Do not make a sharp bend in air hose. connect your air tool with the other end of air hose.