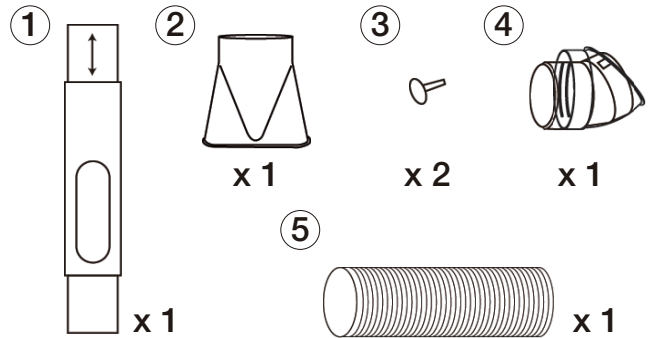


INSTALLATION

It is important that the installation instructions below are followed for successful installation of this portable air conditioner. Please call Customer Support if you have any difficulties or queries regarding these installation procedures.

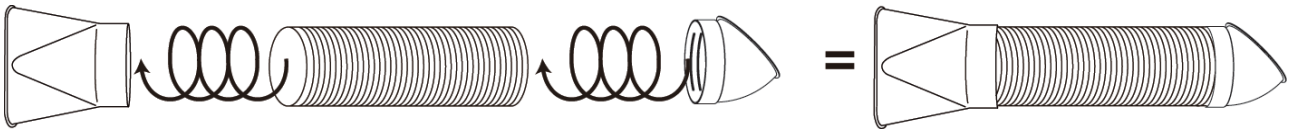
Installation Kit:

- 1. Window Bracket Kit..... 1 Set
- 2. Window Bracket Panel Adapter..... 1 Piece
- 3. Plastic Pin..... 2 Pieces
- 4. Hose Connector..... 1 Piece
- 5. Plastic Hose..... 1 Piece

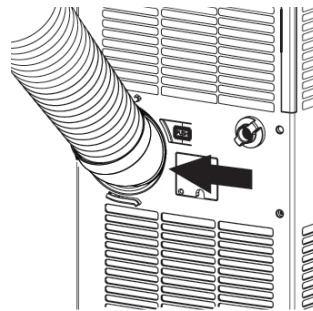
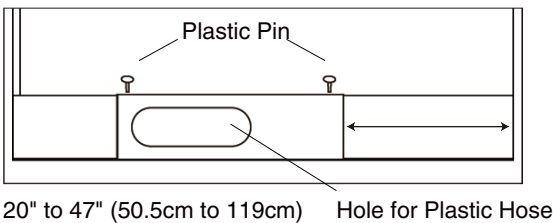


Installation Steps:

1. Install the plastic hose with window bracket adapter and hose connector on both sides. Ensure proper fit on both ends.



2. Adjust the window bracket as per width or height of your window and insert the plastic pins to fix at the desired position. There is a hole where the Plastic Hose will be inserted later. Make sure this hole is not blocked.
3. Connect the plastic hose to the hose connector on back of the unit. Slide-in the hose from right to left until it is locked in place.

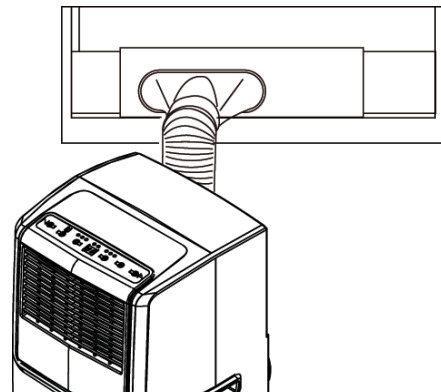
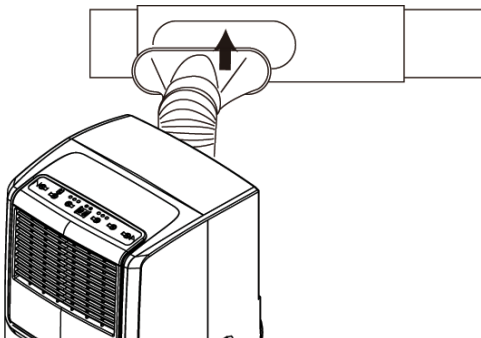


Plastic Hose:
Dia. 5" (12.7cm)
Length: 12" to 47" (30cm~120cm)

Note:

After setting the window bracket to the size of your window, please remove it from the window and follow the instructions below.

4. Connect the window bracket to the opposite end of the plastic hose. Ensure that all connections are tight and installed properly.
5. Connect the window bracket to the window.

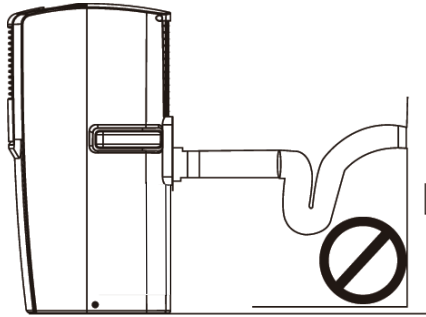


6. The Portable Air Conditioner is now ready to use.

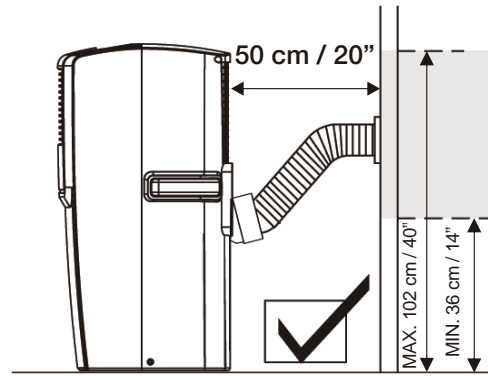
INSTALLATION (CONTINUED)

IMPORTANT:

- The length of the exhaust hose is determined by the product specifications. Do not replace or lengthen it as this could cause the unit to malfunction.



NOT RECOMMENDED



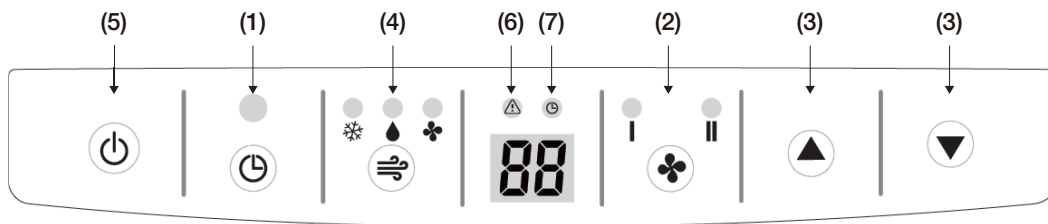
RECOMMENDED

WARNING: Any warranties included with this product will be voided if an extra extension hose is added to the originally provided installation kit or if the installation is performed differently than the manufacturer's instructions, without proper consultation. Please contact Customer Support for help with installation procedures if needed.

- The supplied exhaust hose has a diameter of 5 inches (12.7cm) and can be extended from 12 inches to 47 inches (30cm to 120cm).
- Do not bend (to the extent shown below) the exhaust hose. A bent hose will block exhaust air and cause the unit to malfunction or shut-off.
- Make sure the back of the unit is at least 50 cm / 20 inches away from the wall. Do not place the unit in front of curtains or drapes as this could obstruct the airflow.

USE & OPERATION

CONTROL PANEL



- (1) Timer Control
- (4) Mode Control
- (7) Timer Light

- (2) Fan Speed Control
- (5) Power Control

- (3) Timer / Temperature Set Controls
- (6) Warning Light

POWER CONTROL

The Power Control turns the unit on and off.

MODE CONTROL

3 settings: Cool, Dehumidify, Fan.

A light will indicate which setting is currently being used.

- Cooling Mode

The unit works as an air conditioner. Adjust fan speed and air temperature to suit your desired comfort level. Temperature setting range is 16°C- 32°C (61°F- 89°F).