

Installation Instructions

READ BEFORE INSTALLING UNIT For Low Profile Window Air Conditioner


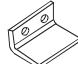



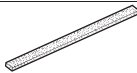

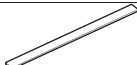
INSTALLATION WARNINGS AND CAUTION

- * Carefully read the installation manual before beginning.
 - * Follow each step as shown.
 - * Observe all local, state, and national electrical codes and by qualified, licensed, authorized personnel only.
 - * Pay attention to danger and safety notices.
- To avoid risk of personal injury, property damage, or product damage due to the weight of this device and sharp edges that may be exposed:
- * Air conditioners covered in this manual pose an excessive weight hazard. Two or more people are needed to move and install the unit. Wear protective gloves whenever lifting or carrying the unit. AVOID the sharp metal fins of front and rear coils. To prevent injury or strain, use proper lifting and carrying techniques when moving unit.
 - * Carefully inspect location where air conditioner will be installed. Be sure it will support the weight of the unit over an extended period of time.
 - * Handle air conditioner with care.
 - * Make sure air conditioner does not fall during installation.

NOTE:

- SAVE CARTON and these INSTALLATION INSTRUCTIONS for future reference. The carton is the best way to store unit during winter, or when not in use.
- DO NOT USE ANY SCREWS OTHER THAN THOSE SPECIFIED IN THESE INSTRUCTIONS.

Tools Required	
• SCREWDRIVER (Standard and Phillips and Flathead)	• RULER
• KNIFE	• HAMMER
• PENCIL	• LEVEL

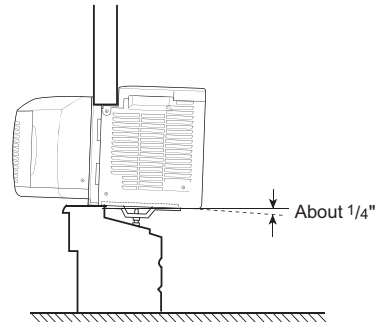
Hardware (in plastic bag)	Qty.	Hardware (in plastic bag)	Qty.
 SUPPORT BRACKET	1	 SASH LOCK	1
 LONG LEVELING BOLT	1	 WEATHER SEALS (6"X3/4"X1/12")	5
 SHORT LEVELING BOLT	1	 WINDOW SASH SEAL	1
 1/2" SCREW	8	 FOAM STRIP	1

Installation

How to install the unit

1. To prevent vibration and noise, make sure the unit is installed securely and firmly.
2. Install the unit a little slanted so the back is slightly lower than the front (about 1/4"). This will force condensed water to flow to the outside.

CAUTION: All side louvers of the cabinet must remain exposed to the outside of the structure.



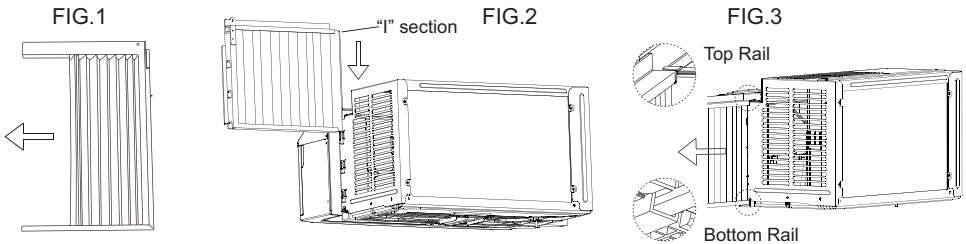
Install

1

Left + Right Filler Panel Assembly

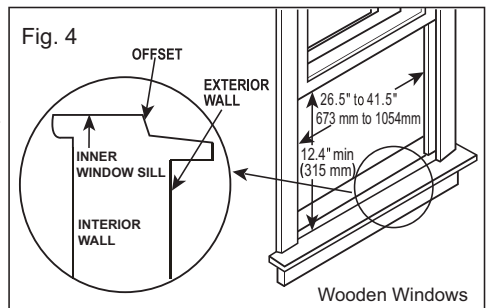
Place unit on floor, a bench or a table. There is a Left and Right side Filler Panels - be sure to use the proper panel for each side. When installed, the flange for securing the panel in place to the window sill will be facing into the room.

- A. Hold the side panel in one hand and gently pull back the center to free the open end. See FIG. 1.
- B. Slide the free end "I" section of the panel into the cabinet as shown in FIG. 2. Slide the panel down. Be sure to leave enough space to slip the top and bottom of the frame into the rails on the cabinet.
- C. Once the panel has been installed on the side of the cabinet, make sure it sits securely inside the frame channel by making slight adjustments. Slide the top and bottom ends of the frame into the top and bottom rails of the cabinet, see FIG.3.
- D. Slide the panel all the way in and repeat on the other side.



Your air conditioner is designed to install in standard double hung windows with opening widths of 26.5 to 41.5 inches (673 mm to 1054 mm) (FIG. 4).

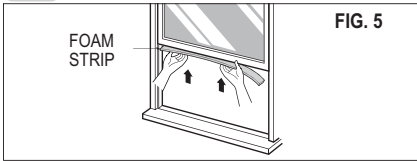
Lower sash must open sufficiently to allow a clear vertical opening of 12.4 inches (315 mm). Side louvers and the rear of the air conditioner must have clear air space to allow enough airflow through the condenser, for heat removal. The rear of the unit must be outdoors, not inside a building or garage.



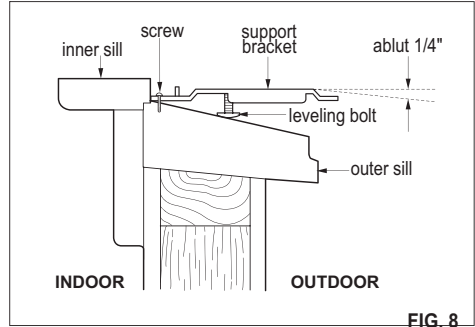
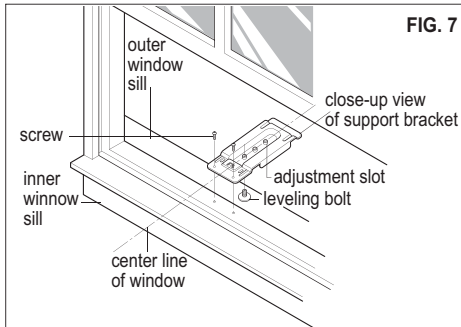
Installation

2 Cut the FOAM STRIP to fit the underside of the window sash. Open the window, peel off the back and attach the FOAM STRIP as shown in FIG.5

3 Mark center line with pencil on the center of the inner sill, as shown in FIG.6



4 Install support bracket on window sill. See FIG.7. Install leveling bolt up through bottom side of support bracket. You can choose a short bolt or a long one according to window type. Also, you should select the position of hole on bracket. Position bracket on sill of center line of window (See FIG.7). Fasten bracket loosely to sill with screws provided. Adjust leveling bolt so that the air conditioner will be installed with a very slight tilt (about 1/4") downward toward the outside for proper drainage. (See FIG.8). Tighten bracket screws.



CAUTION

Fail to securely install support bracket may result in unit falling from window if window sash is raised after unit is installed. This could result in personal injury.

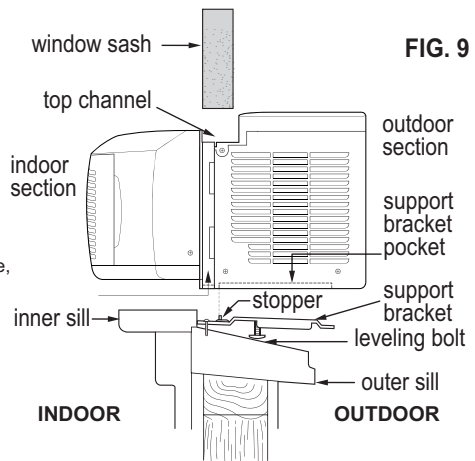
5 Install the air conditioner in the window

- * With the aid of an assistant, carefully lift the air conditioner and slide it into the open window.
- * Make sure that support bracket is inserted in the pocket under base fan, and that filler panels guide is stopped by stopper on the support bracket as shown in FIG.9.

NOTE: When unit is properly centered and pushed outward to correct bracket location, you will feel unit sit securely in place on the support bracket. Hold unit firmly during this procedure. After proper installation, make sure the air conditioner is tilted 2-4° downward to the outside, condensate should not drain from the overflow drain hole during normal use, correct the slope otherwise.

- * Lower top window sash all the way down so that sash sits firmly in top channel of unit and expandable curtain frames.

CAUTION: While performing the steps above, hold unit firmly until window sash is lowered to top channel behind filler panels. Personal injury or property damage may result if unit falls from window.



Installation

6

SECURE THE CURTAIN FRAMES:

Expand the filler panels and secure them using 4 screws as shown in FIG.10. When filler panels opens or closes, you may feel a slight resistance. This is normal.

7

WINDOW SASH SEAL AND WINDOW LOCK:

- * Cut the window sash seal to the window width. Stuff the window sash seal between the glass and the window to prevent air and insect from getting into the room, as shown in FIG.10.
- * Trim the weather seal (6"X3/4"X1/2") to a proper length, peel off the protective backing and plug any gaps if needed as shown FIG.10.
- * Install the sash lock bracket to prevent window from being raised which may result in unit falling, as shown in FIG.10.

NOTE1: It is difficult to lock the windows with the sash lock for some windows, so you can use lock by window itself.

NOTE2: If window sash has a metal surface. Use sheet metal screws instead of the provided wood screws. Obtain sheet metal screws at local hardware store.

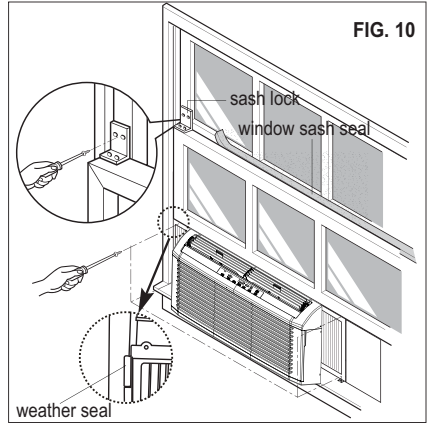


FIG. 10

CAUTION

Sash lock and filler panels screws must be installed as instructed to avoid the possibility of unit falling from window and causing personal injury or property damage.

8

IF AIR CONDITIONER IS BLOCKED BY STORM WINDOW FRAME:

- * If storm window presents interference, fasten a 2" (51mm) wide wood strip to the inner window sill across the full width of the sill. The wood strip should be thick enough to raise the height of the window sill so that unit can be installed without interference from the storm window frame, See FIG.11. Top of wood strip should be approximately 7/8" (22mm) higher than the storm window frame to help condensation to drain properly to the outside.
- * Install a second wood strip (approximately 6" (152mm) long by 1-1/2" (38mm) wide and same thickness as the first strip) in the center of the outer sill flush against the back of the inner sill. See FIG.11.

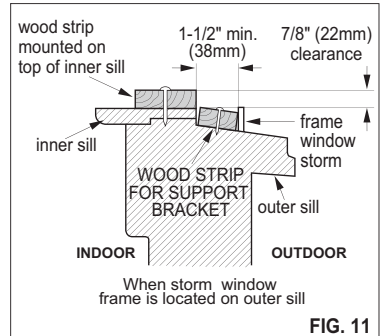


FIG. 11

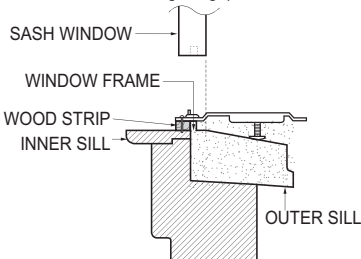
9

INSTALLATION FOR OTHER TYPE WINDOWS:

- * Dimensions and geometry of windows are different according to manufacturer's. Check your window and refer to FIG.12 to install the support bracket firmly.

(a) When window frame is located on inner sill.

- Install a wood strip (window width long and window frame height high) on the inner sill.



(b) When the window frame is higher than 23/32"(18mm).

- Install a wood strip (about 4"(102mm) long) on the outer sill to raise support bracket.

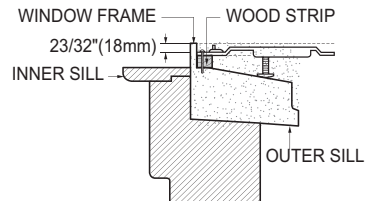


FIG. 12

Installation Instructions

REMOVAL FROM WINDOW:

- * Turn off and unplug the air conditioner.
- * Unscrew the side screws that you installed in step 6 and 7.
- * Close the filler panels and remove window sash seal and sash lock from windows.
- * Keep a firm grip on the air conditioner as you sash.
- * Lift the air conditioner from the window.
- * Remove the support bracket from window frame.

NOTE: When cooling season is over, unit is removed from window for cleaning and storage. There may still be some condensation water in the basepan. Remove the unit carefully to avoid water being spilled out on floor. Always store unit flat on its base. Remove bracket and window sash seal from window and save. Window can not close if support bracket remains installed.

CAUTION

- * Air conditioners covered in this manual pose an excessive weight hazard. Two or more people are needed to move and install the unit. To prevent injury or strain, use proper lifting and carrying techniques when moving unit.
- * When handling the air conditioner, be careful to avoid cuts from sharp metal fins on front and rear coils.
- * Mark sure air conditioner does not fall during removal.