



# LOG PEELER

## OWNER'S MANUAL



### **WARNING:**

Carefully read and understand all **ASSEMBLY AND OPERATION INSTRUCTIONS** before operating. Failure to follow the safety rules and other basic safety precautions may result in serious personal injury.

**Item# TMW-58**

Thank you very much for choosing this product! For future reference, please complete the owner's record below:

Model: TMW-58 Purchase Date: \_\_\_\_\_

Save the receipt, the warranty, and these instructions. It is important that you read the entire manual to become familiar with this product before you begin using it.

This product is designed for certain applications only. The manufacturer cannot be responsible for issues arising from modification. We strongly recommend that this product not be modified and/or used for any application other than that for which it was designed. If you have any questions relative to a particular application, DO NOT use the product until you have first contacted us to determine if it can, or should, be performed on the product.

For technical questions, please call **1-218-943-6290**.

## INTENDED USE

The TWM-58 Log Peeler is the easy way to take care of your debarking and shaving needs. This tool attaches easily to most 65cc or smaller chain saws with .325 and 3/8" pitch chains, turning your chain saw into a debarking tool.

## TECHNICAL SPECIFICATIONS

Item	Description
For Use With	Most 65cc or smaller chain saws with .325 and 3/8" pitch chains
Construction	Steel with a powder-coat finish to resist corrosion
Dimensions	10" x 5" x 3"

## GENERAL SAFETY RULES



**WARNING:** Read and understand all instructions. Failure to follow all instructions listed below may result in serious injury.



**CAUTION:** Do not allow persons to operate or assemble this Log Peeler until they have read this manual and have developed a thorough understanding of how the Log Peeler works.



**WARNING:** The warnings, cautions, and instructions discussed in this instruction manual cannot cover all possible conditions or situations that could occur. It must be understood by the operator that common sense and caution are factors that cannot be built into this product, but must be supplied by the operator.

## SAVE THESE INSTRUCTIONS

## WORK AREA

- **Keep work area clean**, free of clutter, and well-lit. Cluttered and dark work areas can cause accidents.
- **Keep children and bystanders** away while operating a Log Peeler. Distractions can cause you to lose control, so visitors should remain at a safe distance from the work area.
- **Be aware of all power lines, electrical circuits**, water pipes, and other mechanical hazards in your work area, particularly those hazards hidden from the operator's view below the work surface that may be unintentionally touched and may cause person harm or property damage.
- **Be alert of your surroundings**. Using a Log Peeler in confined work areas may put you dangerously close to sharp tools and rotating parts.

## PERSONAL SAFETY

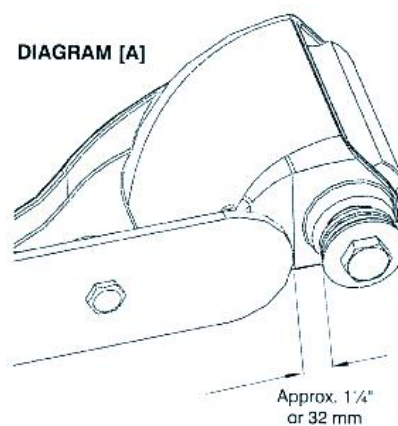
- **Stay alert**, watch what you are doing, and use common sense when using a Log Peeler. Do not use a Log Peeler while you are tired or under the influence of drugs, alcohol, or medication. A moment of inattention while operating a Log Peeler may result in serious personal injury.
- **Dress properly**. Do not wear loose clothing, dangling objects, or jewelry. Keep your hair, clothing, and gloves away from moving parts. Loose clothes, jewelry, or long hair can be caught in moving parts.
- **Use safety apparel and equipment**. Use safety goggles or safety glasses with side shields that comply with current national standards or, when needed, a face shield. Use a dust mask if working in dusty work conditions. This applies to all persons in the work area. Also use non-skid, safety shoes, hard hats, gloves, dust collection systems, and hearing protection when appropriate.

## LOG PEELER USE AND CARE

- **Do not modify the Log Peeler in any way**. Unauthorized modification may impair the function and/or safety and could affect the life of the equipment. There are specific applications for which the Log Peeler was designed.
- **Always check for damaged or worn-out parts before using the Log Peeler**. Broken parts will affect the Log Peeler operation. Replace or repair damaged or worn parts immediately.
- **Store idle Log Peeler**. When the Log Peeler is not in use, store it in a secure place out of the reach of children. Inspect it for good working condition prior to storage and before re-use.

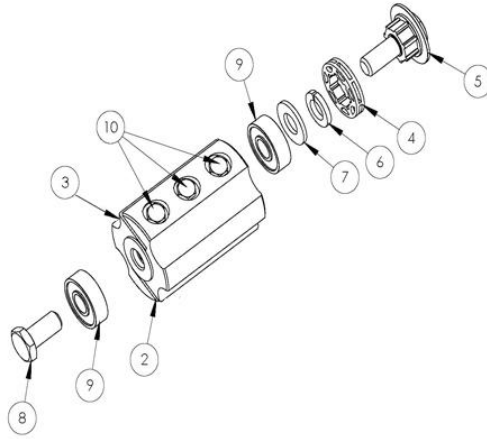
## ASSEMBLY

1. A 16" bar chain saw is the recommend chain saw. Use a chain one size up from your current chain saw (Example: For a 16" bar chain saw, use a chain that will fit an 18" bar).
2. Check for the correct engagement. Be sure that the correct drive sprocket is installed on the Log Peeler by wrapping the chain around the sprocket (.375" and .325" sprockets are included). Install the alternate sprocket by clamping the cutting head carefully in vice and then removing the Spline Adapter. Use caution and make sure to center the lock-washer when you re-assemble.
3. Install the new chain and retract the bar to its minimum length with the chain tension-adjuster. Ensure that the nose sprocket still matches.
4. Mount the Log Peeler on the bar as shown in Diagram A, while attaching the chain on the drive sprocket. Clamp the Log Peeler in place with a small c-clamp or other clamping device.
5. Use the Log Peeler as a guide and drill two and drill two mounting holes 5/16" diameter through the chain saw bar. Make sure that the mounting holes do not interfere with the rotation of the Cutting Head. Use the included hardware to install. **CAUTION: Do not overtighten the mounting bolts. DO NOT CRUSH the bolting area of the Log Peeler.**
6. Adjust the chain tension and test the progress of your assembly by carefully turning the Cutting Head on the Log Peeler. It should move freely and easily. DO NOT OVERTIGHTEN.
7. Before operating, make sure that the bolts securing the blades of the Log Peeler are tight and secure. Check the bolts again after operating the tool for roughly ten minutes. DO NOT OVERTIGHTEN, the chain should move freely and easily.
8. The blades of the Log Peeler come set at depth of 1/32". Any attempt to increase this depth could cause shavings to become lodged under the blades and may cause the chain to stretch and may also cause excessive wear on your chain saw.
9. **IMPORTANT SAFETY INFORMATION: Do not attempt to cut straight into the wood with the Log Peeler. All chain saw safety rules, regulations, and personal protective equipment still applies while using the Log Peeler ( e.g. Eye and hearing protection, gloves, and leg and foot protection must be worn while using the Log Peeler).**

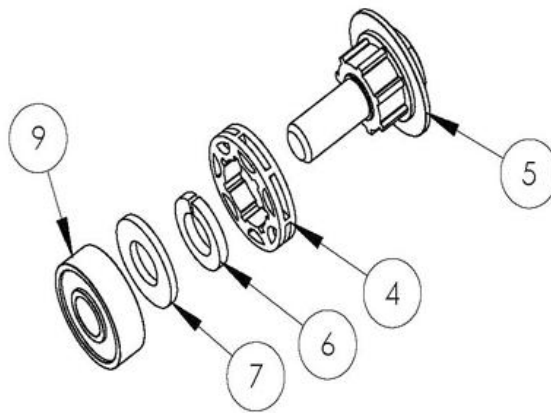


## SPROCKET REPLACEMENT AND INSTALLATION

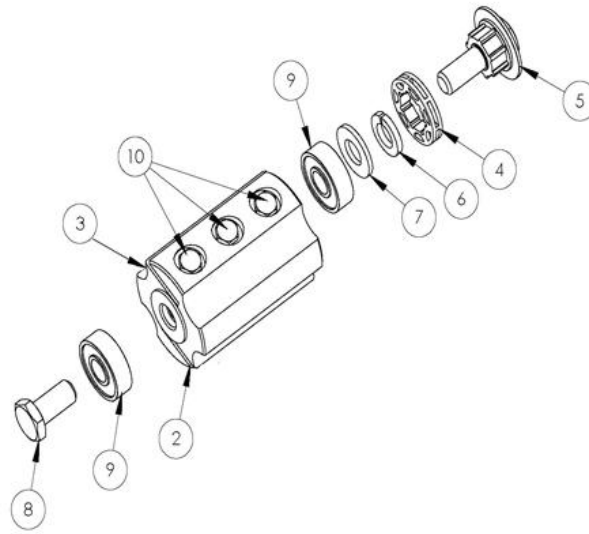
1. Use the sprocket wrench to fix the Drive Bolt (#8) and then disassemble the Spline Adaptor (#5).



2. Install the replaced Sprocket (#4) onto Spline Adaptor (#5), then install one 1/2" Lock Washer (6) & one 1/2" Flat Washer (#7). Be sure to assemble as shown below.



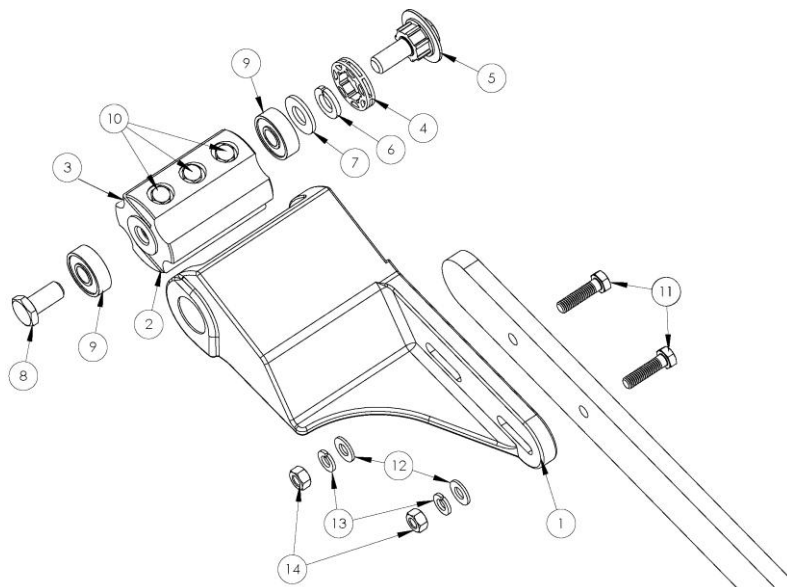
3. Attach Drive Bolt (#8) and tighten the Spline Adaptor (#5).



## MAINTENANCE

- **Maintain your Log Peeler.** It is recommended that the general condition of any Log Peeler be examined before it is used. Keep your Log Peeler in good repair by adopting a program of conscientious repair and maintenance. If any abnormal vibrations or noise occurs, have the problem corrected before further use. Have necessary repairs made by qualified service personnel.

# DIAGRAM & PARTS LIST



Part#	Description	Qty.	Part#	Description	Qty.
1	Frame	1	8	Drive Bolt	1
2	Cutting Head	1	9	Bearing 6201-2RS	2
3	Blade	2	10	Bolt 1/4"	6
4	Sprocket 3/8" .325	1	11	Bolt 5/16"	2
5	Spline Adaptor	1	12	Flat Washer 5/16"	2
6	Lock Washer 1/2"	1	13	Lock Washer 5/16"	2
7	Flat Washer 1/2"	1	14	Nut 5/16"	2

For replacement parts and technical questions, please call **1-218-943-6290**.

## WARRANTY

**One-year limited parts warranty.**



BAC  
 PO BOX 155  
 Miliona, MN 56354