



## Lumber Cutting Guide

### OWNER'S MANUAL



#### **WARNING:**

Read carefully and understand all **ASSEMBLY AND OPERATION INSTRUCTIONS** before operating. Failure to follow the safety rules and other basic safety precautions may result in serious personal injury.

**MODEL# TMW-56**

Thank you very much for choosing this product. For future reference, please complete the owner's record below:

Model: \_\_\_\_\_ Purchase Date: \_\_\_\_\_

Save the receipt, warranty and these instructions. It is important that you read the entire manual to become familiar with this product before you begin using it.

This product is designed for certain applications only. The manufacturer or distributor cannot be responsible for issues arising from modification. We strongly recommend that this product not be modified and/or used for any application other than that for which it was designed. If you have any questions relative to a particular application, DO NOT use the product until you have first contacted the distributor to determine if it can, or should be, performed on the product.

## INTENDED USE

The lumber cutting guide attaches to your chain saw to cut lumber up to 2 x 6s in your own backyard from all types of wood.

## TECHNICAL SPECIFICATIONS

Cutting width range: 1" to 5-1/2"
Powder-coated steel construction
Overall dimensions: 8"L x 8"W x 2-1/2"H

## GENERAL SAFETY RULES



**WARNING:** Read and understand all instructions. Failure to follow all instructions listed below may result in serious injury.



**CAUTION:** Do not allow persons to operate or assemble this Lumber Cutting Guide until they have read this manual and have developed a thorough understanding of how the Lumber Cutting Guide works.



**WARNING:** The warnings, cautions, and instructions discussed in this instruction manual cannot cover all possible conditions or situations that could occur. It must be understood by the operator that common sense and caution are factors which cannot be built into this product, but must be supplied by the operator.

## SAVE THESE INSTRUCTIONS

## WORK AREA

- **Keep work area clean**, free of clutter and well-lit. Cluttered and dark work areas can cause accidents.
- **Keep children and bystanders** away while operating the Lumber Cutting Guide. Distractions can cause you to lose control, so visitors should remain at a safe distance from the work area.
- **Be aware of all power lines, electrical circuits**, water pipes and other mechanical hazards in your work area, particularly those hazards below the work surface hidden from the operator's view that may be unintentionally contacted and may cause personal harm or property damage.

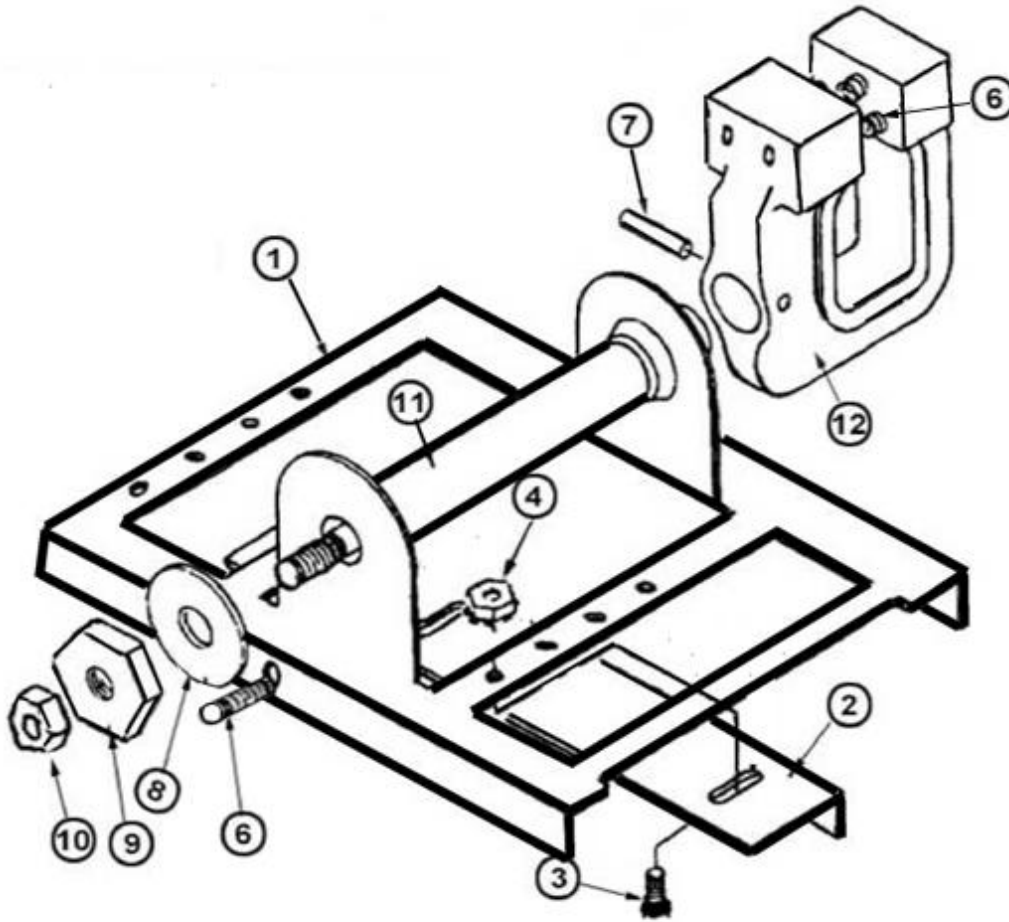
## PERSONAL SAFETY

- **Stay alert**, watch what you are doing and use common sense when using the Lumber Cutting Guide. Do not use the Lumber Cutting Guide while you are tired or under the influence of drugs, alcohol or medication. A moment of inattention while operating the Lumber Cutting Guide may result in serious personal injury.
- **Dress properly**. Do not wear loose clothing, dangling objects, or jewelry. Keep your hair, clothing and gloves away from moving parts. Loose clothes, jewelry or long hair can be caught in moving parts.

## ASSEMBLY

- Timber Tuff's Lumber Cutting Guide guides your chainsaw down a guide board attached on top of a log. We suggest using 2x4s or 2x6s as guide boards for your lumber cutting guide. If you use a 2x4, attach the adjustable stop bracket (#2) to the lumber cutting guide using bolt (#3) and nut (#4).
- Start by making a 4x4 for practice. Begin by taking a log, about 6" in diameter, and nailing a 2x4 to the top of the log, centered.
- After you attach the 2x4 to the log, put the lumber cutting guide on the 2x4. Slide the lumber cutting guide up and down the 2x4 while adjusting the stop angle so it does not bind up. Once the adjustments have been made, fasten down and tighten the lumber cutting guide on the 2x4.
- The lumber cutting guide can be mounted to your chainsaw two ways:
  - Option 1: Use 3 screws (#6) to clamp the lumber cutting guide to your chainsaw bar.
  - Option 2: Drill 2 holes in your chainsaw bar and use bolt/nut combo (#13) to fasten to your chainsaw bar.
- Option 1 makes installation and adjustments quick and easy. You must be careful tightening the screws to avoid damaging the clamp casting. Tighten 1/8<sup>th</sup> turn each, 2 or 3 times by rotating between the 3 screws until snug on the bar. **DO NOT over tighten**,
- Option 2 eliminates the possible damage to the clamp casting and creates a very secure mount to your chainsaw bar.

# PARTS DIAGRAM



# PARTS LIST

Part Ref #	Description	Qty
1	Base	1
2	Adjustment Bracket	1
3	Bolt M5x15	2
4	Nut M5	2
5	Wrench	1
6	Screw M8x25	5
7	Pin 5x25mm	1
8	Washer 10mm	1
9	Hex Nut M25	1
10	Lock Nut M3/8x24	1
11	Shaft	1
12	Bar Clamp	1
13	Bolt/Nut Combo	2

For replacement parts and technical questions, please call **1-218-943-6290**.

## **WARRANTY**

**One-year limited parts warranty**



BAC  
PO BOX 155  
Miltona, MN 56354  
**MADE IN CHINA**