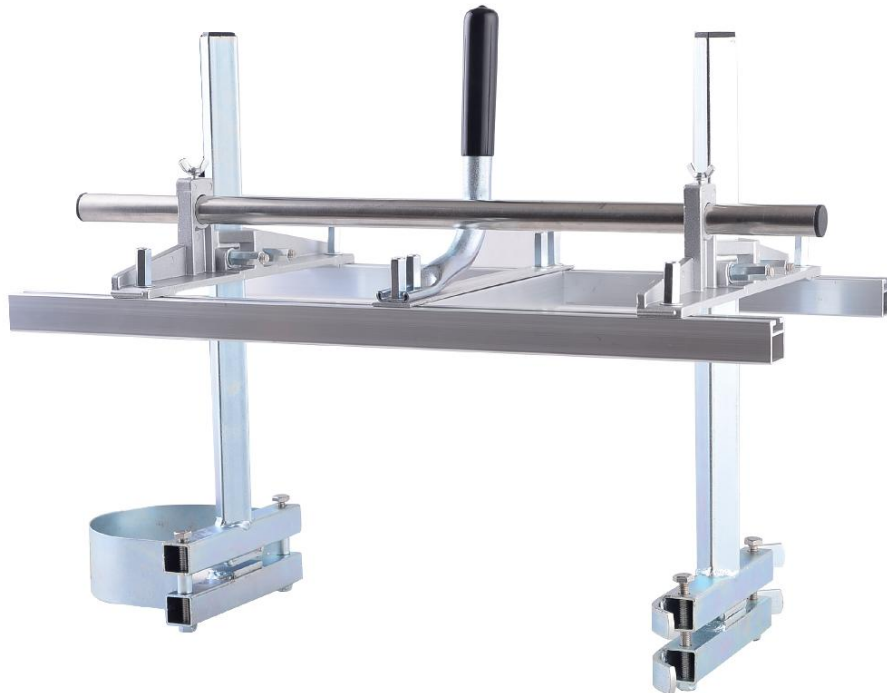




24" Portable Saw Mill

OWNER'S MANUAL



WARNING:

Carefully read and understand all **ASSEMBLY AND OPERATION INSTRUCTIONS** before operating. Failure to follow the safety rules and other basic safety precautions may result in serious personal injury.

Model # TMS-24

Thank you very much for choosing this product! For future reference, please complete the owner's record below:

Model: _____ Purchase Date: _____

Save the receipt, the warranty, and these instructions. It is important that you read the entire manual to become familiar with this product before you begin using it.

This product is designed for certain applications only. The manufacturer cannot be responsible for issues arising from modification. We strongly recommend that this product not be modified and/or used for any application other than that for which it was designed. If you have any questions relative to a particular application, DO NOT use the product until you have first contacted us to determine if it can, or should, be performed on the product.

For technical questions, please call **1-218-943-6290**.

INTENDED USE

Attach the Portable Chainsaw Sawmill to your chainsaw to create a portable mill where you need it most.

TECHNICAL SPECIFICATIONS

Item	Description
Size	24"
Fits	Chainsaw bars 16" to 24" L
Thickness	Cut planks from 0.20" to 11.81" thick
Dimensions	23.62" long x 12.60"

GENERAL SAFETY RULES



WARNING: Read and understand all instructions. Failure to follow all instructions listed below may result in serious injury.



CAUTION: Do not allow persons to operate or assemble this portable saw mill until they have read this manual and have developed a thorough understanding of how the portable saw mill works.



WARNING: The warnings, cautions, and instructions discussed in this instruction manual cannot cover all possible conditions or situations that could occur. It must be understood by the operator that common sense and caution are factors that cannot be built into this product, but must be supplied by the operator.

SAVE THESE INSTRUCTIONS

WORK AREA

- **Keep work area clean**, free of clutter, and well lit. Cluttered and dark work areas can cause accidents.
- **Keep children and bystanders** away while operating a portable saw mill. Distractions can cause you to lose control, so visitors should remain at a safe distance from the work area.
- **Be alert of your surroundings.** Using a portable saw mill in confined work areas may put you dangerously close to sharp tools and rotating parts.

PERSONAL SAFETY

- **Stay alert**, watch what you are doing, and use common sense when using a portable saw mill. Do not use a portable saw mill while you are tired or under the influence of drugs, alcohol, or medication. A moment of inattention while operating a portable saw mill may result in serious personal injury.
- **Dress properly.** Do not wear loose clothing, dangling objects, or jewelry. Keep your hair, clothing, and gloves away from moving parts. Loose clothes, jewelry, or long hair can be caught in moving parts.
- **Use safety apparel and equipment.** Use safety goggles or safety glasses with side shields that comply with current national standards or, when needed, a face shield. Use a dust mask if working in dusty work conditions. This applies to all persons in the work area. Also use non-skid, safety shoes, hard hats, gloves, dust collection systems, and hearing protection when appropriate. **Safety logging chaps should be worn at all times while using the saw mill.**

PORTABLE SAW MILL USE AND CARE

- **Do not modify the portable saw mill in any way.** Unauthorized modification may impair the function and/or safety and could affect the life of the equipment. There are specific applications for which the portable saw mill was designed.
- **Always check for damaged or worn-out parts before using the** portable saw mill. Broken parts will affect the portable saw mill operation. Replace or repair damaged or worn parts immediately.
- **Do not exceed the** portable saw mill **load capacity.**
- **Use the** portable saw mill **on flat and level surfaces** capable of supporting the portable saw mill and its maximum load. Pulling or pushing a load on a slanted or uneven surface can result in loss of control.
- **Store idle** portable saw mill. When portable saw mill is not in use, store it in a secure place out of the reach of children. Inspect it for good working condition prior to storage and before re-use.
- **Use with ripping chain.**

CAUTION: When lifting logs ALWAYS use CAUTION as logs can fall or drop. Heavy logs can cause injury to feet, legs, and hands. ALWAYS wear protective clothing including steel toe boots, leather gloves, leg, and arm protection.

ASSEMBLY

1. Empty contents of box.



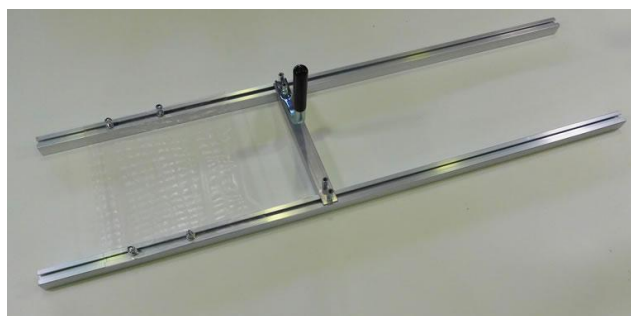
2. Assemble handle (#1) using center guide rail (#14), handle rail (#3), bolts (#18), washers (#11), and long hex nuts (#2).



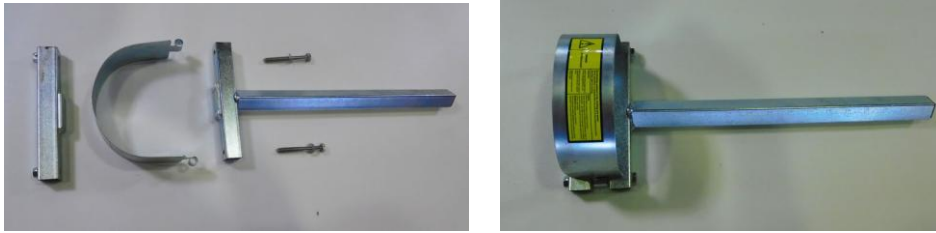
3. Attach the handle assembly to the long rails (#7) using bolts (#18), washers (#11), and long hex nuts (#2). Keep connections loose until assembly is complete.



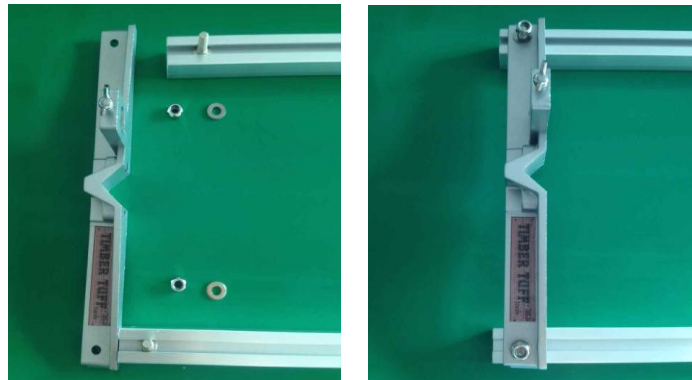
4. Attach shield (#20) to the long rails (#7) using bolts (#18), washers (#11), and nuts (#4).



5. Assemble chain guard end post (#15) and chain guard bottom bracket (#19) to chain guard (#16) using bolts (#17), and washers (#11).



6. Attach frame bracket (#6) to long rails (#7) using bolts (#18), washers (#11), and nuts (#4). Keep connections loose until assembly is complete.



7. Attach chain guard assembly to the frame bracket (#6) using U-Bolt (#9), U-Bolt Adaptor/Clamp (#10), washers (#11), and long hex nuts (#2).



With the guard assembly attached to the frame bracket and long rails, adjust to desired cutting thickness (minimum 3 inches) and tighten nuts around U-Bolt.

8. Assemble end post (#13) to bottom bracket (#12) using long bolts (#17) and washers (#11)

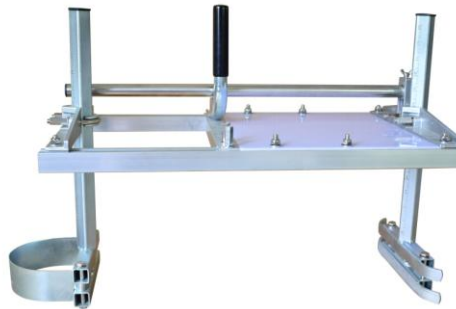


9. Attach the second frame bracket (#6) to the other end of the long rails (#7) using bolts (#18), washers (#11), and nuts (#4). See step 6. Keep connections loose until assembly is complete.
10. Attach end post and bracket assembly to the frame bracket (#6) using U-Bolt (#9), U-Bolt Adaptor/Clamp (#10), washers (#11), and long hex nuts (#2). Make sure the end post assembly and U-Bolts are flush with the long rail ends.

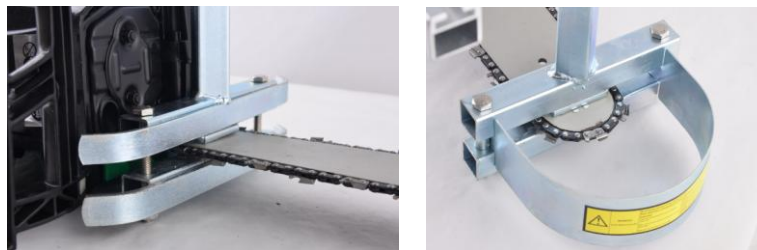


With the end post assembly attached to the frame bracket and long rails, adjust to desired cutting thickness (minimum 3 inches) and tighten nuts around U-Bolt.

11. Insert the push bar (#8) through the end brackets and tighten using the wing nuts (#5). Keep nuts loose for adjustments once attached to the chainsaw.



12. Insert chainsaw and adjust end brackets making sure the clamps do not touch the chain. Tighten all hardware.



OPERATION



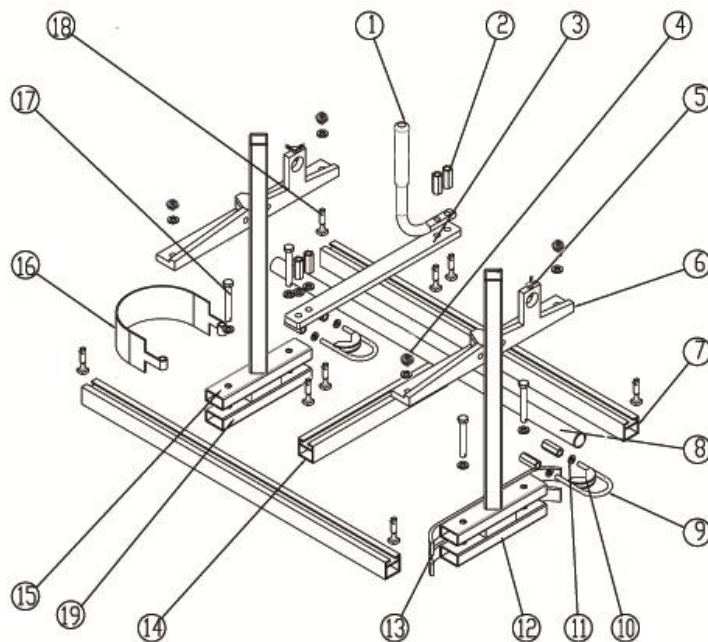
WARNING: NEVER assemble or dismantle any part of the portable saw mill while the chainsaw is running!

- Be extremely careful of the chainsaw chain while the chainsaw is running.
- Be careful around chainsaw chain as the edges can be sharp.

MAINTENANCE

- Maintain your** portable saw mill. It is recommended that the general condition of any portable saw mill be examined before it is used. Keep your portable saw mill in good repair by adopting a program of conscientious repair and maintenance. If any abnormal vibrations or noise occurs, have the problem corrected before further use. Have necessary repairs made by qualified service personnel.

DIAGRAM & PARTS LIST



Part#	Description	Qty.	Part#	Description	Qty.
1	Handle	1	13	End Post	1
2	Long Hex Nut M8x28	8	14	Center Guide Rail	1
3	Handle Rail	1	15	Chain Guard End Post	1
4	Hex Lock Nut M8	8	16	Chain Guard	1
5	Wing Nut	2	17	Bolt M8x73	4
6	Frame Brackets	2	18	Bolt M8x25	12
7	Long Rails	2	19	Chain Guard Bottom Bracket	1
8	Push Bar	1	20	Shield	1
9	U-Bolt M8	2	21	Wrench 11mm – 13mm	1
10	U-Bolt Adaptor/Clamp	2			
11	Flat Washer M8	18			
12	Bottom Bracket	1			

For replacement parts and technical questions, please call **1-218-943-6290**.

WARRANTY

One-year limited parts warranty.



BAC
PO BOX 155
Miltona, MN 56354

Made in China