



ALL-IN-ONE Deluxe Adjustable Timberjack

OWNER'S MANUAL



WARNING:

Read carefully and understand all **ASSEMBLY AND OPERATION INSTRUCTIONS** before operating. Failure to follow the safety rules and other basic safety precautions may result in serious personal injury.

MODEL# TMB-75ATJ

Thank you very much for choosing a Timber Tuff product. For future reference, please complete the owner's record below:

Model: _____ Purchase Date: _____

Save the receipt, warranty and these instructions. It is important that you read the entire manual to become familiar with this product before you begin using it.

This product is designed for certain applications only. The manufacturer or distributor cannot be responsible for issues arising from modification. We strongly recommend that this product not be modified and/or used for any application other than that for which it was designed. If you have any questions relative to a particular application, DO NOT use the product until you have first contacted the distributor to determine if it can or should be performed on the product.

For technical questions, please call **218-943-6290**.

TECHNICAL SPECIFICATIONS

Log Capacity	18 - 20" Diameter
Handle Material	Fiberglass
Handle Length	32-1/4"
Hook Size	14-1/2"
Product Dimensions L x W x H	47-13/16" x 13-3/8" x 17-1/8"

GENERAL SAFETY RULES



WARNING: Read and understand all instructions. Failure to follow all instructions listed below may result in serious injury.



CAUTION: Do not allow persons to operate or assemble this timberjack until they have read this manual and have developed a thorough understanding of how the timberjack works.



WARNING: The warnings, cautions, and instructions discussed in this instruction manual cannot cover all possible conditions or situations that could occur. It must be understood by the operator that common sense and caution are factors which cannot be built into this product, but must be supplied by the operator.

SAVE THESE INSTRUCTIONS

WORK AREA

- **Keep the work area clean**, free of clutter, and well-lit. Cluttered and dark work areas can cause accidents.
- **Keep children and bystanders** away while assembling or operating the timberjack. Distractions can cause you to lose control, so visitors should remain at a safe distance from the work area.
- **Be aware of all power lines, electrical circuits**, water pipes and other mechanical hazards in your work area, particularly those hazards below the work surface hidden from the operator's view that may be unintentionally contacted and may cause personal harm or property damage.
- **Be alert of your surroundings**. Using the timberjack in confined work areas may put you in a dangerous situation.

PERSONAL SAFETY

- **Stay alert**, watch what you are doing, and use common sense when using the timberjack. Do not use the timberjack while you are tired or under the influence of drugs, alcohol, or medication. A moment of inattention while operating the timberjack may result in serious personal injury.
- **Dress properly**. Do not wear loose clothing, dangling objects, or jewelry. Keep your hair, clothing, and gloves away from moving parts. Loose clothes, jewelry, or long hair can be caught in moving parts.

TIMBERJACK USE AND CARE

- **Do not modify the timberjack in any way**. Unauthorized modification may impair the function and/or safety and could affect the life of the equipment.
- **Always check for damaged or worn out parts before using the timberjack**. Broken parts will affect the timberjack operation. Replace or repair damaged or worn parts immediately.
- **The timberjack is for OUTDOOR use ONLY.**



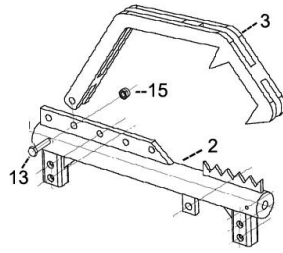
WARNINGS:

1. **BE AWARE of side hills or steep inclines**. Operating on flat surfaces, such as small inclines or hills, can cause the timberjack to tip over or roll out of control.
2. **DO NOT transport people or pets with the timberjack.**

ASSEMBLY

Function 1: Cant Hook

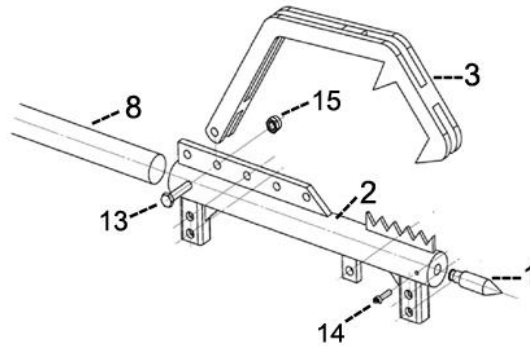
Step 1: Attach the double hook with two teeth (#3) to the sleeve (#2) with a M10×45 bolt (#13) and locknut (#15).



Function 2: Peavey

Step 1: Attach the double hook with two teeth (#3) to the sleeve (#2) with a M10×45 bolt (#13) and locknut (#15).

Step 2: Assemble the removable spike (#1) to the sleeve (#2) with M6 x 20 bolt (#14).

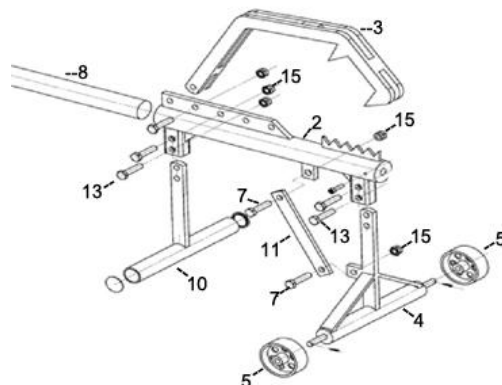


Function 3: Timber Jack

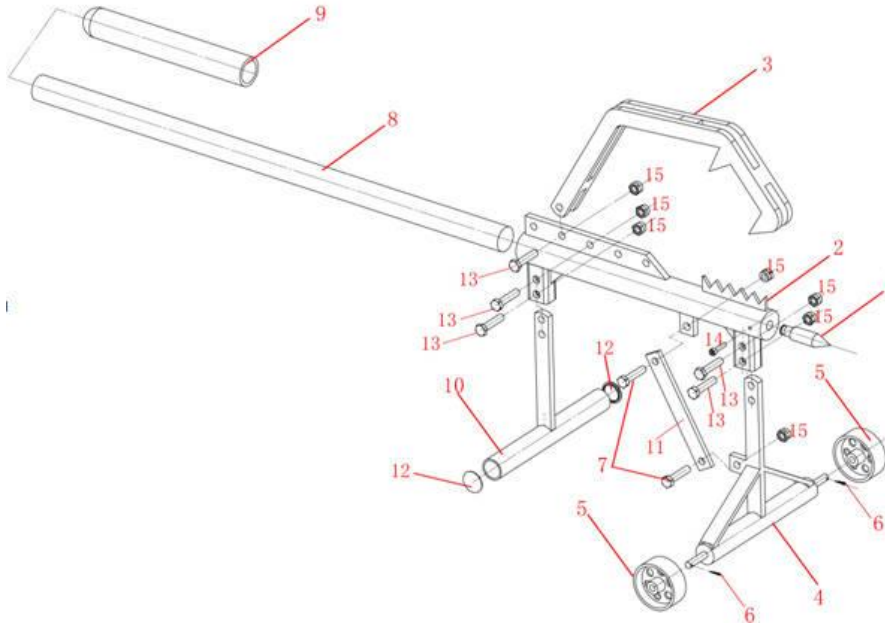
Step 1: Assemble the front T-frame stand (#4) with the sleeve (#2) with a M10×45 bolt (#13) and locknut (#15). Install the wheel (#5) and beam (#11) to the front T-frame stand (#4).

Step 2: Assemble back T-frame stand with the sleeve (#2) with a M10×45 bolt (#13) and locknut (#15).

Step 3: Attach the double hook with two teeth (#3) to the sleeve (#2) with a M10×45 bolt (#13) and locknut (#15).



PARTS DIAGRAM:



PARTS LIST:

Part #	Description	QTY
1	Removable spike	1
2	Sleeve	1
3	Double hook with two teeth	1
4	Front T-frame stand	1
5	Wheel	2
6	1/8" Split pin	2
7	Bolt (M10x35)	2
8	Fiberglass handle	1
9	Grip	1
10	Back T-frame stand	1
11	Beam	1
12	1-1/4" Plastic stopple	2
13	Bolt (M10x45)	5
14	Inner hexagon bolt (M6x20)	1
15	Locknut (M10)	7

For replacement parts and technical questions, please call **1-218-943-6290**.

MAINTENANCE

- **Maintain your timberjack.** It is recommended that the general condition of the timberjack be examined before it is used. Keep the timberjack in good repair by adopting a program of conscientious repair and maintenance in accordance with the recommended procedures found in this manual.
- **Be sure to tighten all nuts and bolts before use.**
- **Keep the timberjack clean.** A properly maintained timberjack will work more effectively. Keep all of parts dry, clean, and free from oil and grease.
- **Cleaning.** Use only soap and a damp cloth to clean your timberjack.

WARRANTY

One-year limited parts warranty



BAC Industries
PO BOX 155
Miltona, MN 56354

Made in CHINA