

---

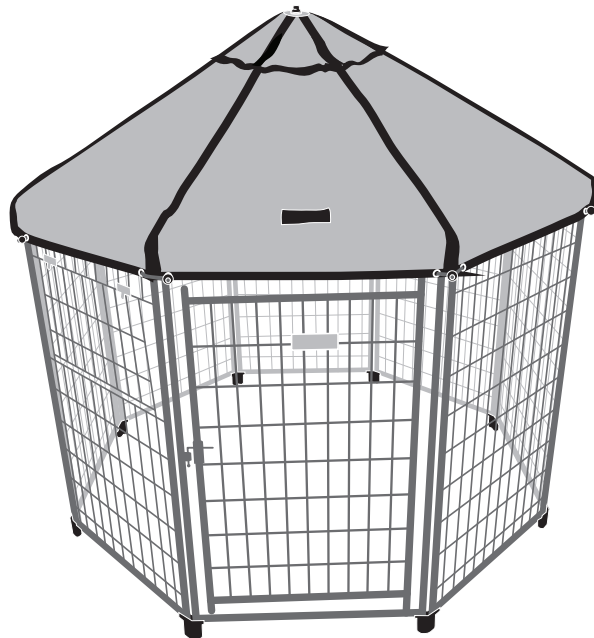
# ADVANTEK SELECT



THE PET GAZEBO™  
BY ADVANTEK

## INSTRUCTION MANUAL

SMALL, MEDIUM  
& LARGE



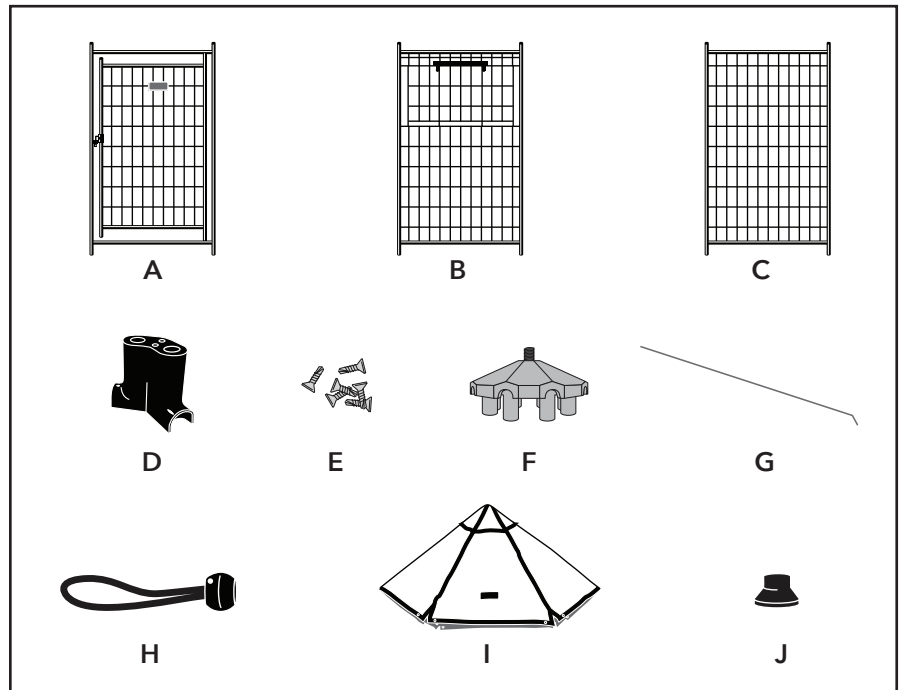
23400, 23410, 23420

# THE PET GAZEBO

23400, 23410, 23420

## PARTS SECTION:

A	Kennel Gate Panel	x 1
B	Latching Window Panel	x 1
C	Kennel Side Panel	x 6
D	Nylon Connector	x 16
E	Self Tapping Set Screws	x 16
F	Roof Support Hub	x 1
G	Roof Arm Support	x 8
H	Ball Connectors	x 8
I	Market Umbrella Cover	x 1
J	Roof Support Cap	x 1



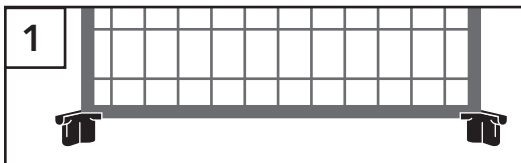
## CONGRATULATIONS!

This kennel will provide your pet with a safe, comfortable and attractive place to play whether you re at home or on the road. **The Pet Gazebo** is modular and easily expands to accomodate more of the pets you love!

Follow these instruction to quickly and easily assemble your **Pet Gazebo** without any tools in just a few minutes

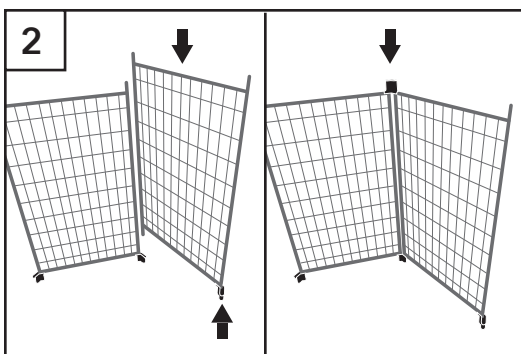
Make sure to check out [www.petgazebo.com](http://www.petgazebo.com) for great accessories that make your life with **The Pet Gazebo** even easier!

## ASSEMBLY INSTRUCTIONS:



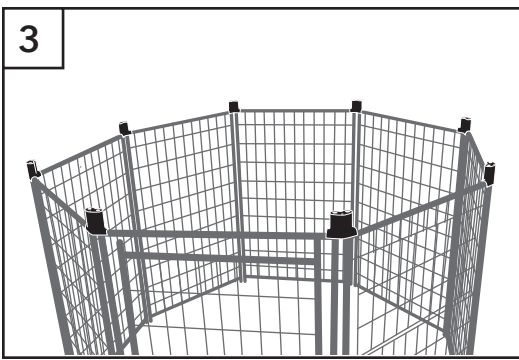
- 1 Begin with two Kennel Side Panels. Place Nylon Panel Connectors on the bottom of both ends of one panel.

Note: All Nylon Panel Connectors are identical

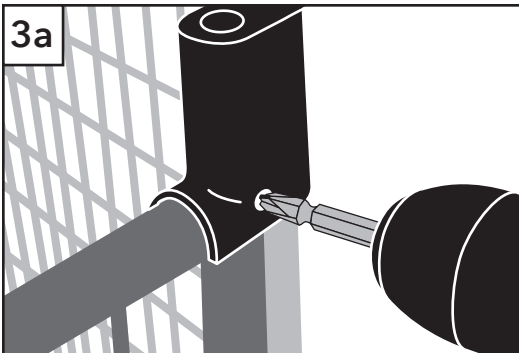


- 2 Place a Nylon Panel Connector on to one side of another Kennel Wall Panel and insert the second Kennel Wall Panel into a Nylon Panel Connector of the first Kennel Wall Panel.

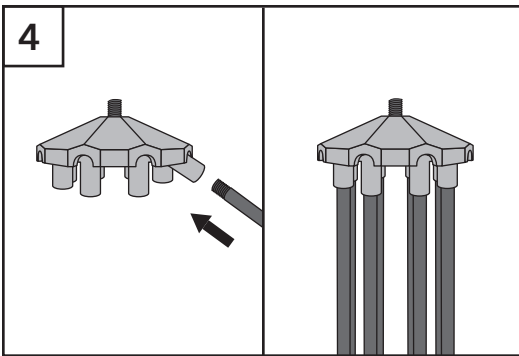
Attach a Nylon Panel Connector to join the 2 Kennel Side Panels at the top so the unit can stand freely.



3 Repeat these steps until you have an octagonal shape. Make sure the **Kennel Gate Panel** and **Latching Window Panel** are placed where both panels can be opened from the outside.



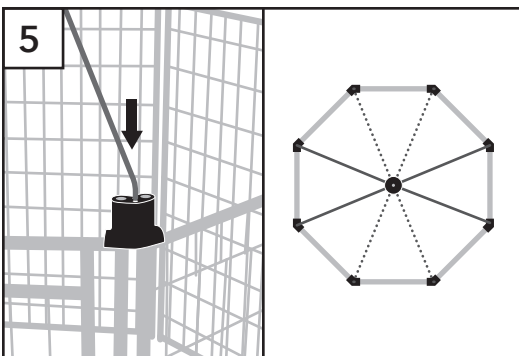
3a To turn your **Pet Gazebo** into a semi-permanent structure (optional), use a power drill and screw the **Self Tapping Screws** into the pre-drilled holes provided on the connectors.



4 Insert the tip of the **Roof Support Arm** into the sleeve of the **Roof Hub** and screw into place by turning the **Support Arm** to the right (clockwise). Screw the arm in completely and make sure the angled end of the **Roof Arm** is pointing in towards the **Roof Hub**.

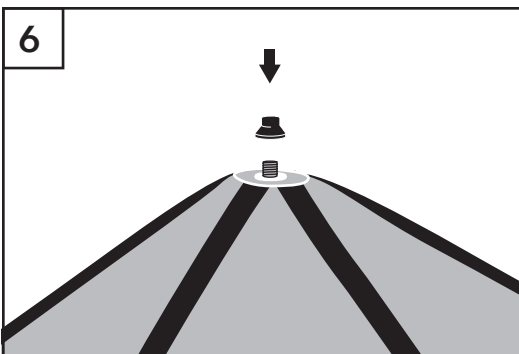
Repeat this step for the remaining 7 **Roof Support Arms**.

Once the **Roof Support Arms** are in place, it is recommended to leave them in the **Roof Hub** for future use.



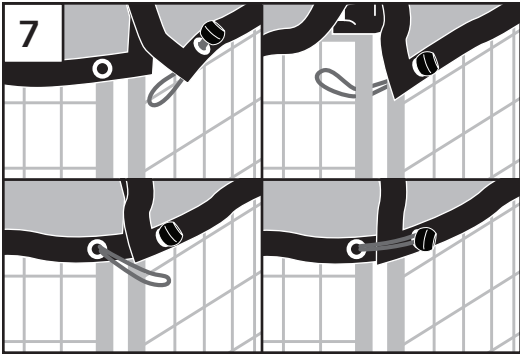
5 Insert the end of a **Roof Support Arm** into the second hole of the **Nylon Panel Connector**.

For stability it is best to start with an "x" pattern. Continue putting the **Roof Support Arms** into place in the **Nylon Panel Connectors**.



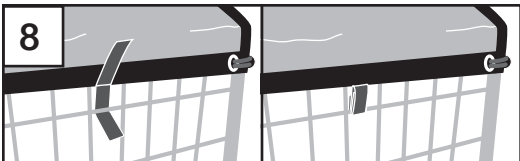
6 Make sure the **Market Umbrella Cover** is oriented with the **Pet Gazebo** logo outward. Locate the center eyelet and line it up with the center of the **Roof Support Hub**.

Screw on the **Roof Support Cap** to attach the **Market Umbrella Cover** to the kennel.

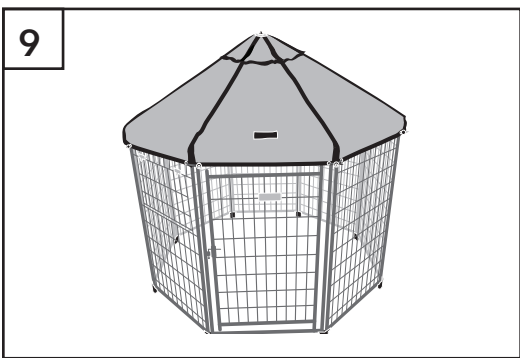


- 7 Using the **Ball Connectors** provided attach the **Market Umbrella Cover** to the posts of the kennel.

**Note:** Align the ribs of the **Market Umbrella Cover** with the posts of the panels. Insert a **Ball Connector** through the eyelet below the horizontal frame bar and wrap around the vertical frame post connecting two (2) **Panels** together.



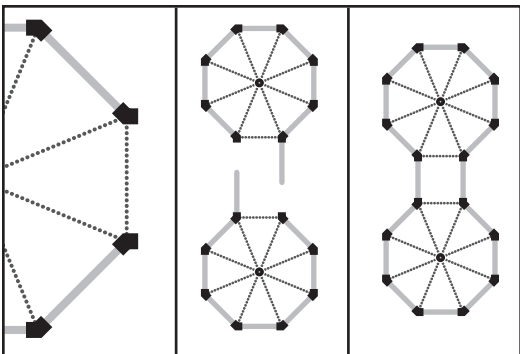
- 8 Pass the inside strap underneath the second horizontal bar from the top. Fold top of strap over bottom to secure.



- 9 Your **Pet Gazebo** is now ready to use!

**Note:** For safety and stability when used outdoors the **Pet Gazebo** must be secured to the ground.

### CONNECTING MULTIPLE PET GAZEBOS TOGETHER



- 1 Detach a single **Kennel Side Panel** and its **Nylon Panel Connectors** from a fully assembled gazebo, then re-attach the **Nylon Panel Connectors** so that they turn away from the kennel side panel, rather than inward.

Re-attach a **Kennel Side Panel** to each gazebo so that the panels face outward and are on opposite sides.

Attach gazebos together by inserting the outward facing **Kennel Side Panels** in the available **Nylon Panel Connectors**.

### WARRANTY

All steel and nylon parts (includes panels, arms and connectors) are covered with a 5 year warranty. The Kennel Cover has a 2 year warranty.

To you extend your warranties (2 additional years for steel and nylon parts and 1 additional year for the cover) please register your product at [advantekmarketing.com/register](http://advantekmarketing.com/register) or by sending us a photo of your receipt and email to: [warranty@advantekmarketing.com](mailto:warranty@advantekmarketing.com) with your name and contact information.