



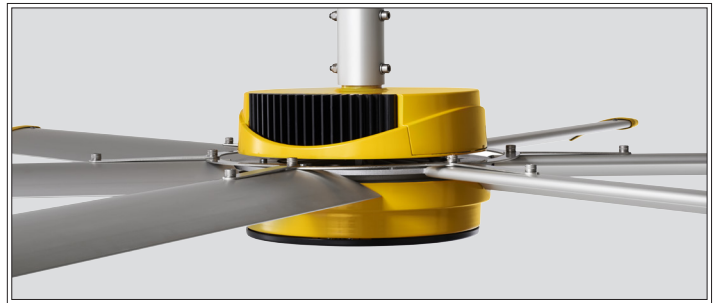
# Big Ass Fan 3025

## Sleek and powerful

Big Ass Fans introduces the all-new Big Ass Fan® 3025, an inspiring blend of strength and agility that takes energy-efficiency to new heights. The 3025 provides cooling over the same area as 42 standard 52-in. (1.3-m) ceiling fans, producing all the serious air movement needed for spaces up to 3,025 square feet. Yet its sensorless, direct-drive motor and advanced Mini-Ellipto airfoils operate so quietly you'll never hear a sound.

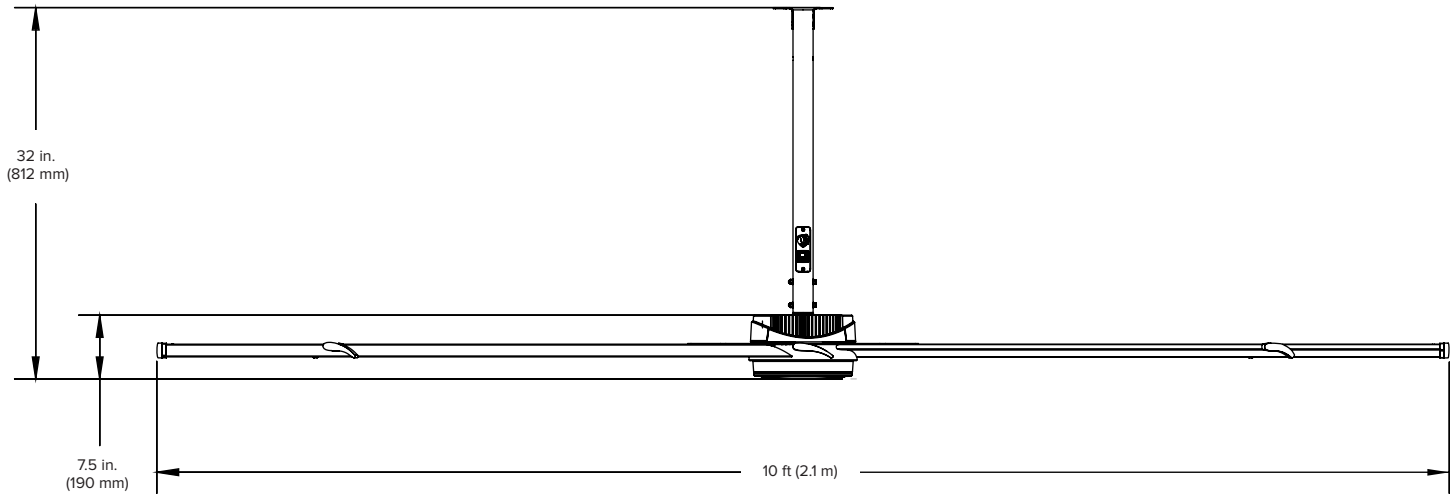
### Features and benefits

- 10-ft (3.1-m) diameter
- Effectively covers areas up to 55 ft x 55 ft (16.8 m x 16.8 m)
- Gearless direct drive motor provides silent operation (< 35 dBA)
- Suitable for ceilings as low as 13-ft (4-m)
- Permanent magnets help reduce power consumption
- Onboard electronic microprocessors offer smooth and powerful operation
- Lightweight and easy to install
- 1 year warranty



# Big Ass Fan 3025

## TECHNICAL SPECIFICATIONS



### Technical Specifications

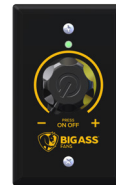
Model	Big Ass Fan 3025
Fan diameter	10 ft (3 m)
Fan weight (with 2-ft extension tube)	77 lb (35 kg)
Maximum speed	124 RPM
Number and type of airfoils	6 Mini-Elipto airfoils
Airfoil finish (standard)	Clear anodized
Winglet finish (standard)	Yellow
Prime mover (standard color)	Gearless direct drive (yellow)
Input power and required breaker	110–125 VAC, 1 $\Phi$ , 50/60 Hz, 10 A
Wired wall controller	Variable speed wall-mounted control
Sound level (max speed) <sup>1</sup>	< 35 dBA
Extension tube length	2 ft (0.6 m)
Minimum airfoil clearances required	10 ft (3 m) above floor 2 ft (0.6 m) on sides 2 ft (0.6 m) below ceiling deck
Environment	Indoor use only
Certification	TUV-certified to UL 507 and CSA 22.2 No. 113
Warranty <sup>2</sup>	1 year parts warranty

<sup>1</sup>Actual results of sound measurements in the field may vary due to sound reflective surfaces and environmental conditions.

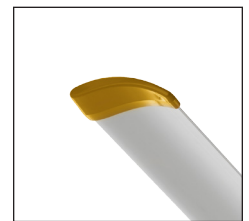
<sup>2</sup>See the installation guide for complete warranty details.

### Accessories

#### Variable Speed Wired Wall Control



#### Standard Color Options



Silver with yellow trim and yellow drive and motor enclosure