

# HANOVER®

## Hanover Outdoor Furniture



### **IMPORTANT**

If you have any problems with this product (missing or damaged parts, assembly issues, etc.),

**PLEASE DO NOT RETURN TO THE RETAILER/STORE**

from where you purchased the product.

Please call our Toll-Free Customer Service Hotline at: **1-866-851-8438**

Between 9:00 AM and 5:00 PM Eastern Time, Monday through Friday

Or visit our website at: **[www.hanover-products.com](http://www.hanover-products.com)**

To expedite any future warranty claims, please retain the Instruction Sheet, Warranty Card and receipt for future use.

For additional on-line support on assembly, troubleshooting and care & maintenance of your outdoor furniture, please visit our website at: **[www.hanover-products.com](http://www.hanover-products.com)**.

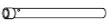

**CAUTION:** Read all the instruction before assembly.

Failure to do so may result in faulty assembly and potential injury!

Assemble the item on a soft, non-abrasive surface such as a carpet or cardboard to avoid damaging the item. Seek assistance to assemble bulky or heavy items.

After final alignment, make sure all bolts, nuts and nut covers are securely tightened.

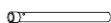
## PARTS LIST

Part	Description	Picture	Quantity
A	Support tube		1
B	Umbrella		1

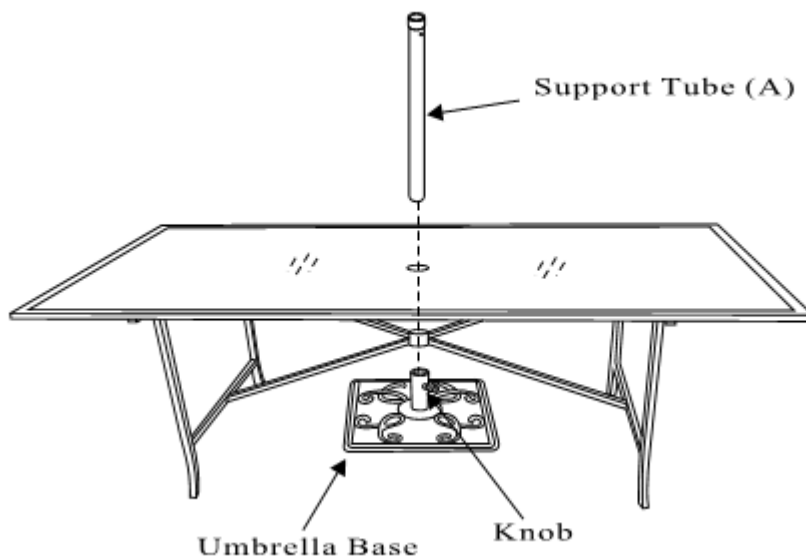
### Assembly Steps:

Step 1:

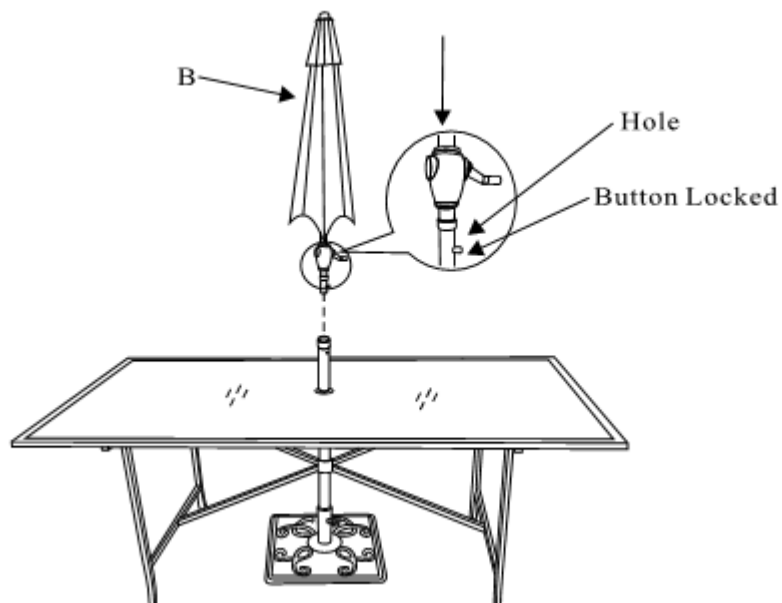
Part# A x 1



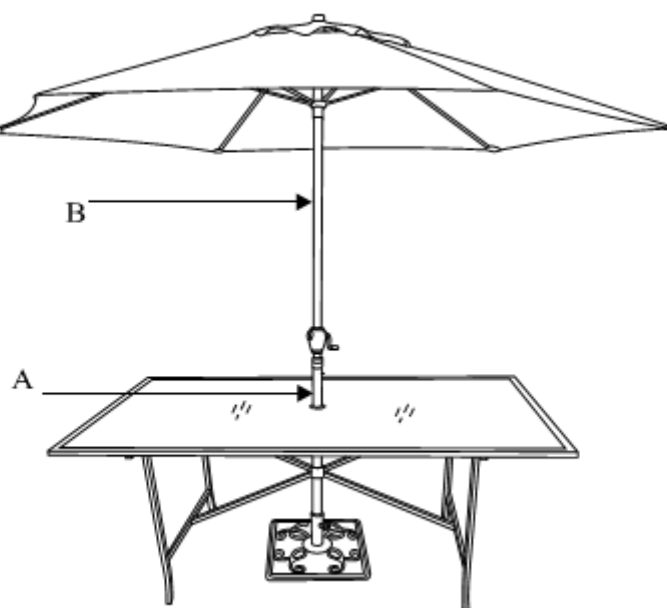
Part# B x 1



Step 2:



Step 3:



**Figure 3**

**Warning:**

Please remove Umbrella from Table when not in use and store in a safe place to ensure longevity.

Always leave your umbrella in the down position when not in use.

Never use umbrella in high wind conditions. As this could result in damage to umbrella and / or your table.

**Never use your umbrella without umbrella base & table.**