

# *Cub Cadet*<sup>®</sup>

## OPERATOR'S MANUAL



### **Cub Cadet Steel Dump Cart 19A40036100**

#### **⚠ WARNING**

**READ AND FOLLOW ALL SAFETY RULES AND INSTRUCTIONS IN THIS MANUAL  
BEFORE ATTEMPTING TO OPERATE THIS MACHINE.  
FAILURE TO COMPLY WITH THESE INSTRUCTIONS MAY RESULT IN PERSONAL INJURY.**

---

**CUB CADET LLC, P.O. BOX 361131 CLEVELAND, OHIO 44136-0019**

---

# ***Safety Rules***



**This is the safety alert symbol. It is used to alert you to potential personal injury hazards. Obey all safety messages that follow this symbol to avoid possible injury or death.**

Read and understand all safety rules and operating instructions before using this tractor attachment.

Follow all safety rules and operating instructions provided by your vehicle's manufacturer when using attachment.

Never allow children or untrained persons to operate vehicle or attachment.

Do not exceed the vehicle manufacturer's towed weight limit.

Reduce vehicle speed and allow extra stopping distance when towing heavy loads.

Reduce vehicle speed and towed weight when operating on slopes.

Operate up and down slopes, never across the face of slopes.

Do not carry passengers on vehicle or attachment.

Avoid sudden turns or maneuvers.

Do not tow attachment on public roadways.

Do not remove warning decals from product.

Check product for worn, loose, or damaged parts before each use. If any damage is present, repair the product before using.

Check product for loose or missing fasteners before each use. Tighten or replace fasteners as needed before using.

Do not exceed vehicle speed of 6 miles per hour when towing Dump Cart.

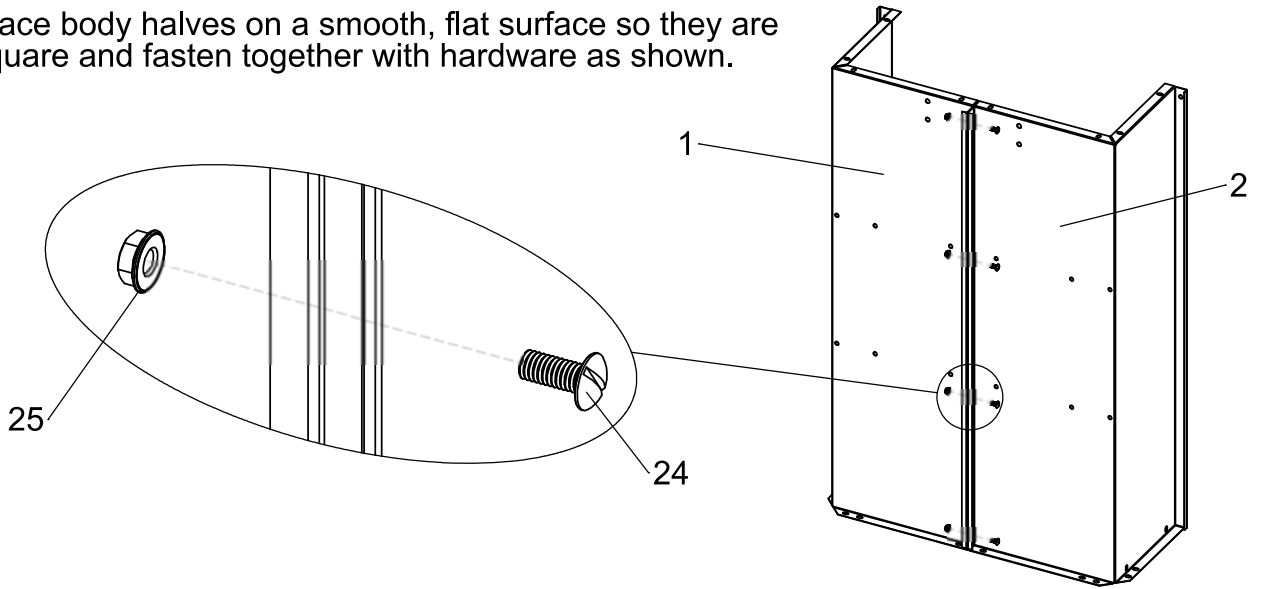
Do not exceed Dump Cart rated weight capacity of 1000 pounds.



# Assembly Instructions

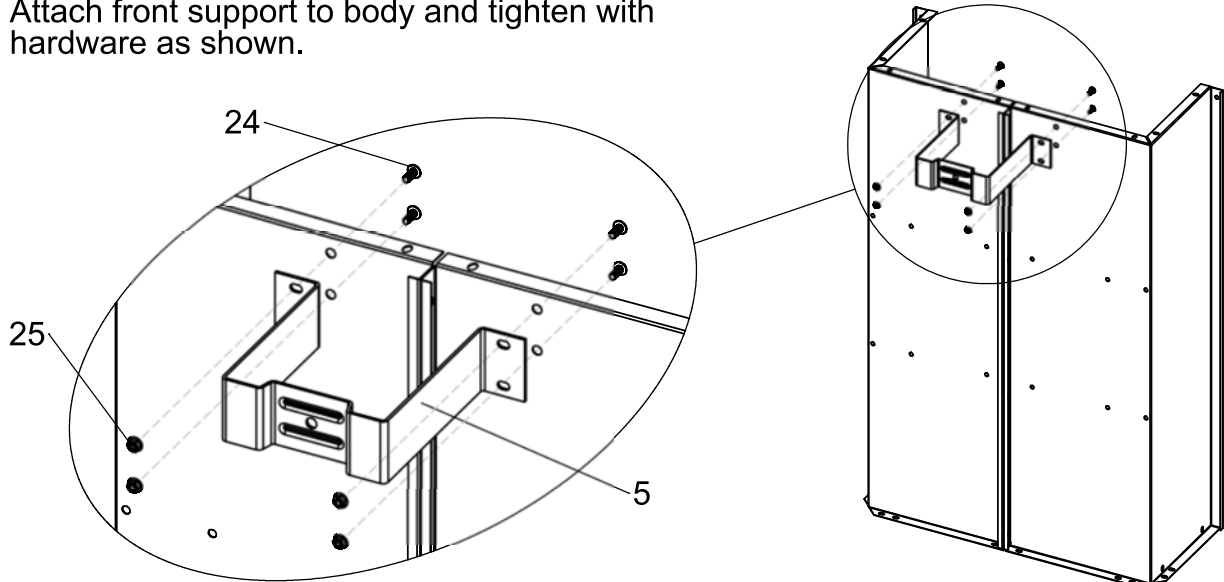
1

Place body halves on a smooth, flat surface so they are square and fasten together with hardware as shown.



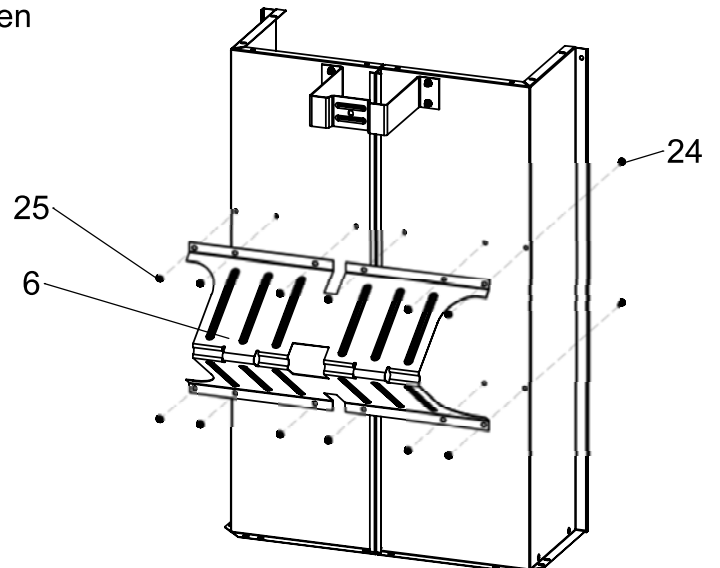
2

Attach front support to body and tighten with hardware as shown.



3

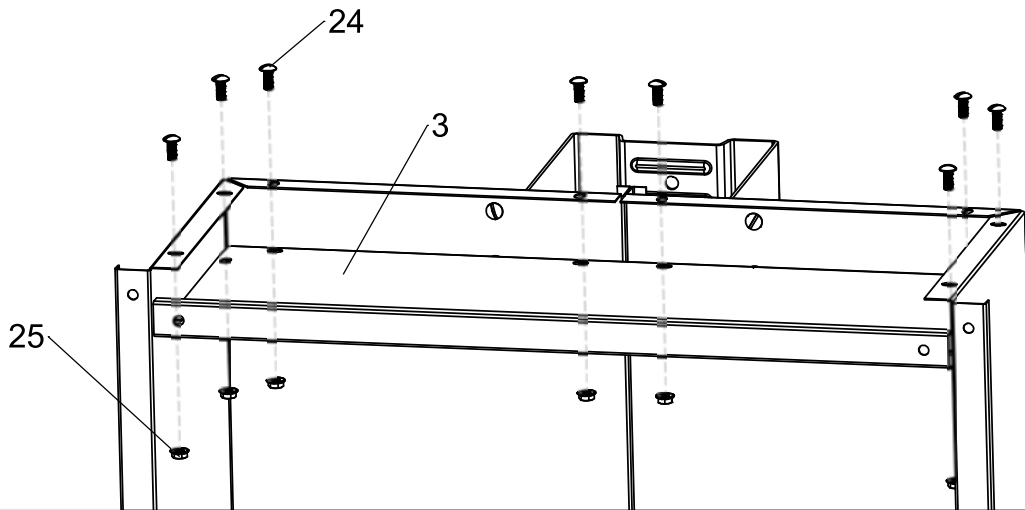
Attach undercarriage to body and tighten with hardware as shown.



# Assembly Instructions

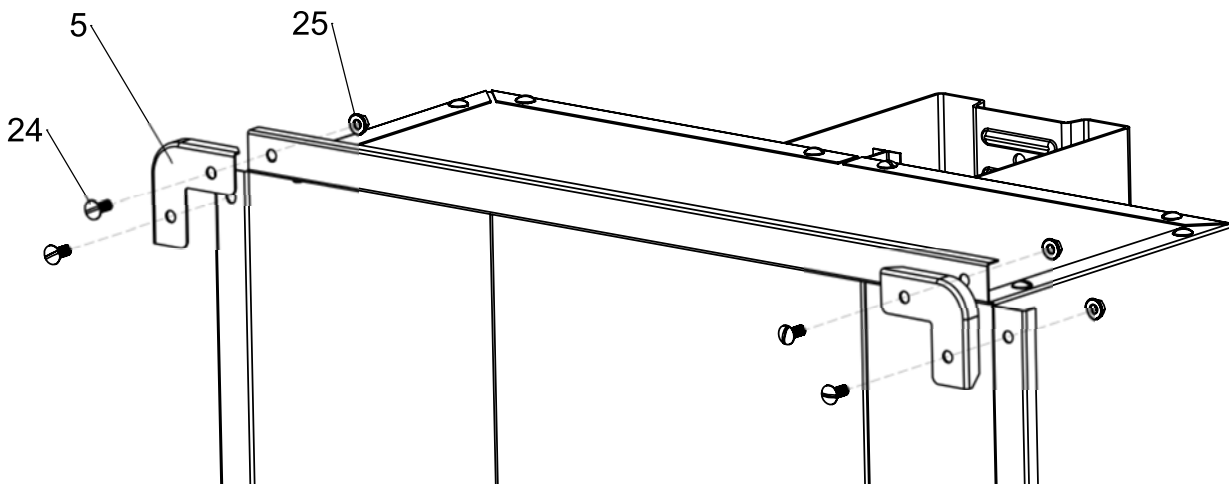
4

Attach front gate to inside of body with supplied hardware as shown.



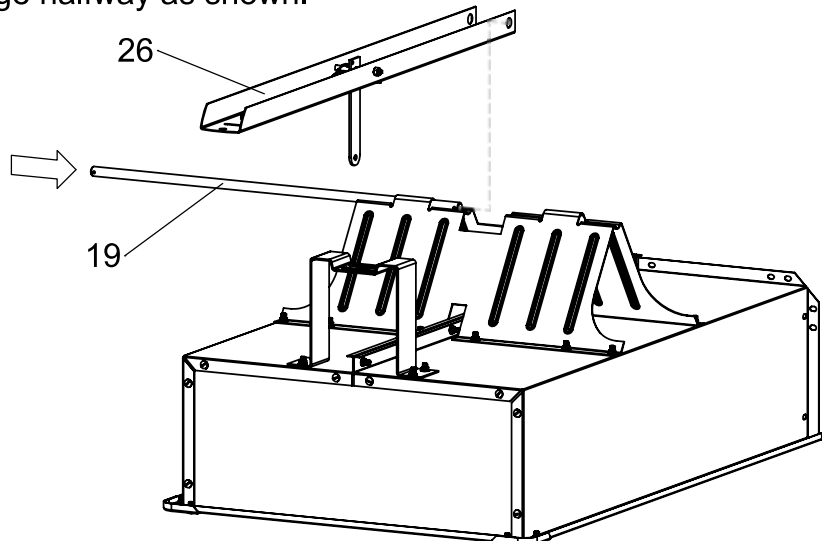
5

Attach corner bumpers to body of cart and tighten with hardware as shown.



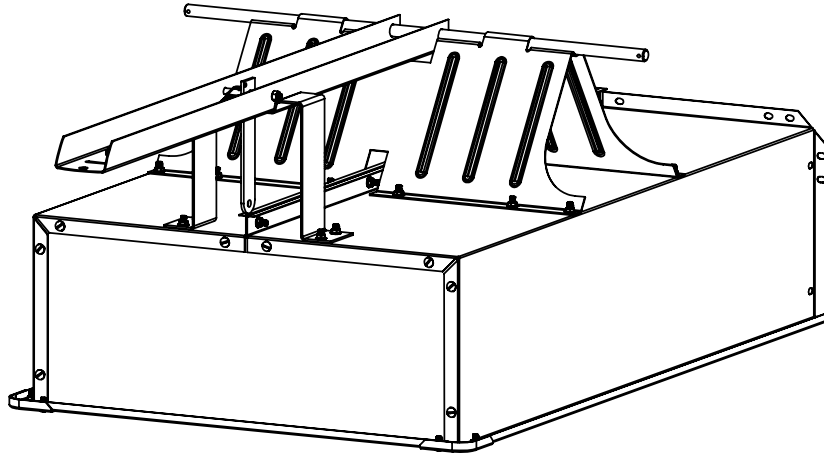
6

Insert axle into undercarriage halfway as shown.

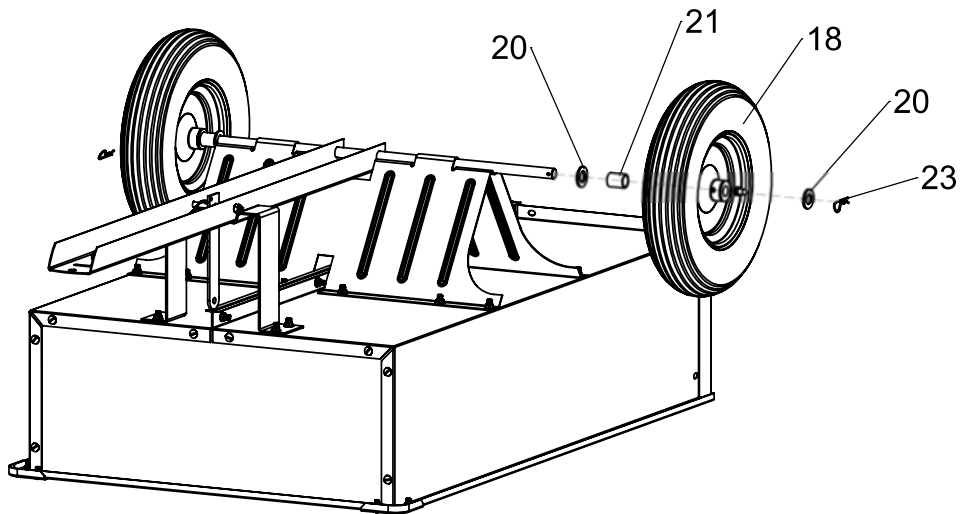


# Assembly Instructions

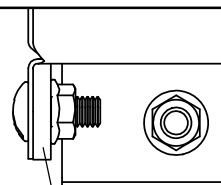
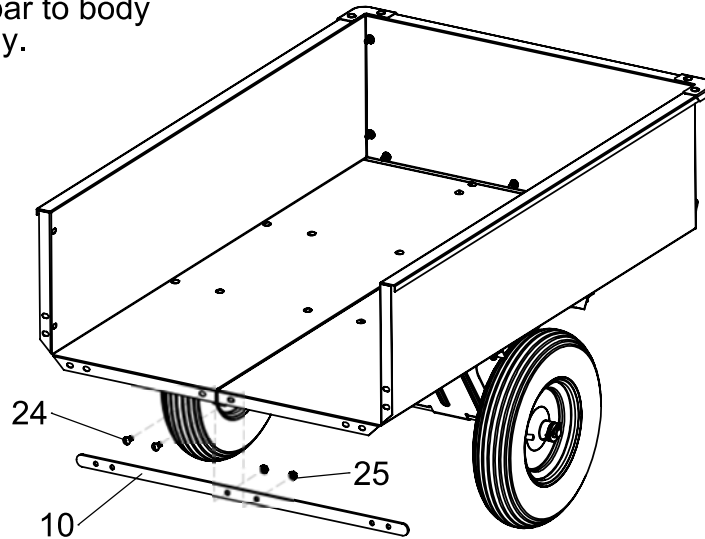
- 7 Slide axle completely through undercarriage; be sure to catch the drawbar when sliding the axle. Align drawbar with the front support and press down to latch.



- 8 Slide washers, spacers, and wheels onto axle and secure with hairpins as shown.



- 9 Attach the support bar to body behind flange loosely.

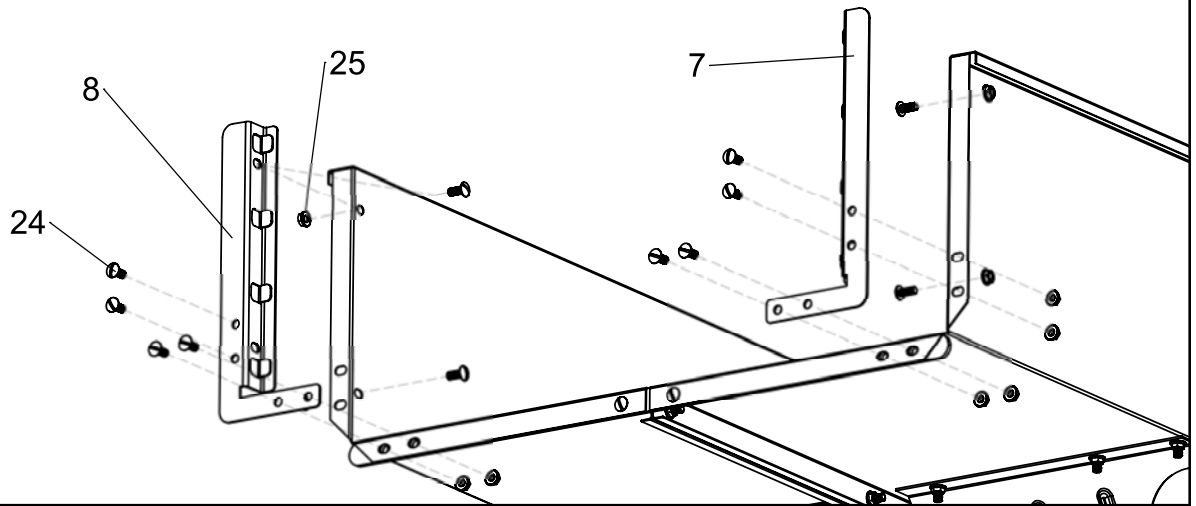


BEHIND  
FLANGE

# Assembly Instructions

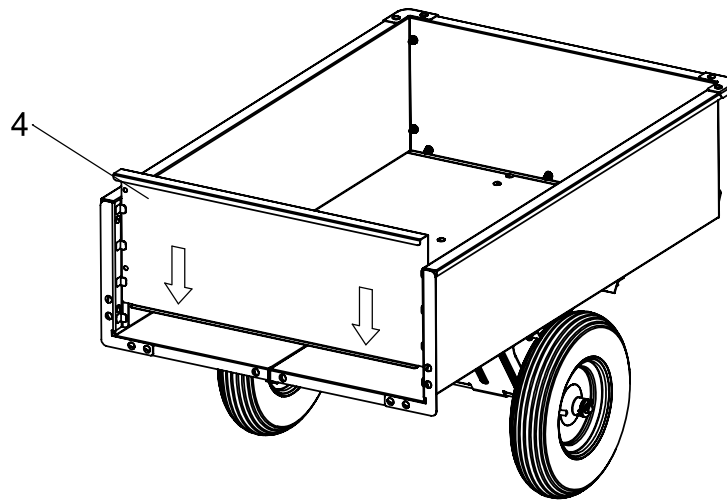
10

Attach corner gussets to rear and sides of body and tighten with hardware as shown.



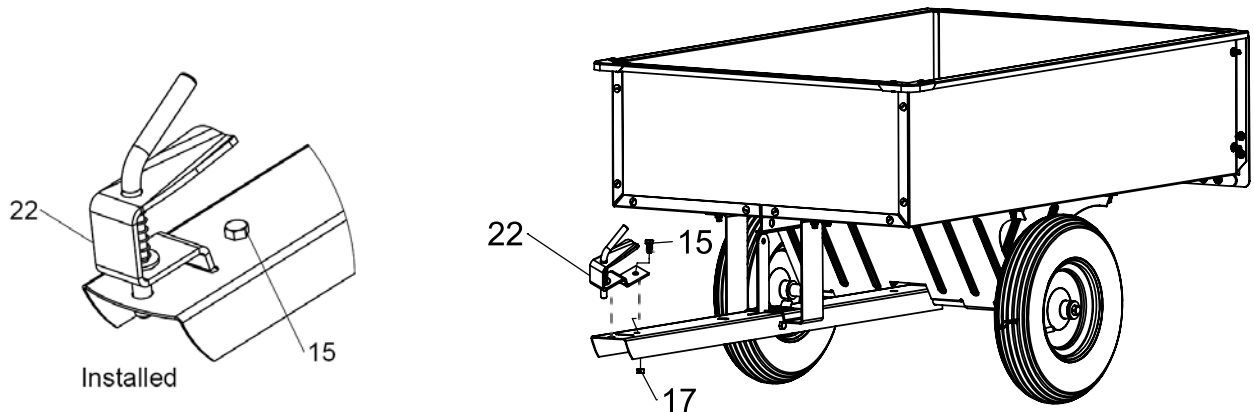
11

Attach tailgate to body as shown. No hardware is required, tailgate should move freely up or down.



12

Install spring loaded hitch bracket to attachment vehicle.



# ***Operating Instructions***

## **Before Using Dump Cart:**

1. Apply grease to wheels using grease gun until grease can be seen squeezing out from both sides of the wheel.
2. Check tire pressure and inflate to 30 psi if needed.
3. Read all Safety Rules found on page 1.

## **How to Use Dump Cart:**

1. Attach Dump Cart to your tractor using the supplied hitch pin.
2. Do not exceed 1,000 pounds when loading material into the cart body.
3. Distribute the weight of the load as evenly as possible in the cart body for best handling.
4. When hauling heavy loads, verify that your vehicle has adequate towing and braking capacity.
5. Do not exceed 6 miles per hour when towing Dump Cart.

## **How to Empty Dump Cart:**

1. Pull hand lever forward to release the latch mechanism.
2. Angle cart body as desired to guide the material to preferred location.
3. Lower the body and guide the latch into the drawbar and relatch.

## **Periodic Maintenance:**

- Tighten fasteners as needed before each use
- Check tire pressure before each use
- Grease wheels annually



# CUB CADET LLC

## LIMITED WARRANTY FOR ATTACHMENTS AND ACCESSORIES

### LIMITED WARRANTY

The limited warranty set forth herein is given by Cub Cadet LLC with respect to new attachments and/or accessories (hereinafter "Attachments") purchased and used in the United States and/or Canada to the Initial Purchaser (as defined herein). For Canadian sales, the warranty is provided by MTD Products Limited.

### Scope of the Limited Warranty

Cub Cadet LLC offers the following limited warranty to the Initial Purchaser for residential or otherwise non-commercial use: except for the Exclusions (defined herein), during the Warranty Period (as defined herein), this Attachment will be free from manufacturing defects (including workmanship and materials). The "Initial Purchaser" is the first person to purchase this new Attachment from an authorized Cub Cadet dealer, distributor and/or retailer of such products. This limited warranty is non-transferrable. Except as otherwise set forth herein, the limited warranty period for this new Attachment purchased by the Initial Purchaser is three (3) years from the date of purchase as shown on the original sales receipt for the product ("Warranty Period").

### Defects in Workmanship or Materials

Except for the Exclusions, this Attachment is warranted to be free from manufacturing defects in either workmanship or materials for the Warranty Period. During the Warranty Period, Cub Cadet LLC will, at its option, either repair or replace any original part that is covered by this limited warranty and is determined to be defective in workmanship or material.

### To qualify for this limited warranty this Attachment:

1. Must have been purchased from an authorized retailer.
2. Must have been purchased within the United States or Canada by the Initial Purchaser.
3. Must have been used for residential purposes only.
4. Must have been used in a manner consistent with the normal and proper intended use for this Attachment. This Attachment is not intended for rental or commercial use.

### Who can perform repairs under this warranty?

In order to qualify for the limited warranty as set forth herein, the repairs made under this warranty must be performed by an authorized Cub Cadet service provider.

### How to get service under this limited warranty:

To locate a Cub Cadet warranty service provider, contact your authorized Cub Cadet dealer, distributor, or retailer or contact Cub Cadet LLC at P.O. Box 361131, Cleveland, Ohio 44136-0019 or call 1-877-282-8684 or log on to our Website at [www.cubcadet.com](http://www.cubcadet.com). In Canada, contact MTD Products Limited, Kitchener, ON N2G 4J1, or call 1-800-668-1238 or log on to our Web site at [www.mtdcanada.com](http://www.mtdcanada.com). This limited product warranty is provided by Cub Cadet LLC and is the only product warranty provided by Cub Cadet LLC for this Attachment. A COPY OF YOUR SALES RECEIPT IS REQUIRED FOR WARRANTY SERVICE.

### What this limited warranty does not cover.

#### This limited warranty does not cover the following (the "Exclusions"):

1. Product purchased outside of the United States or Canada.
2. Damage due to lack of maintenance and/or improper maintenance as described in the operator's manual
3. Normal wear and tear resulting from use of the product.
4. Any expendable, consumable, or routine maintenance item which needs replacement or service as part of normal maintenance, unless such items have defects that cause failure or premature wear within the first thirty (30) days of purchase. Normal wear items include but are not limited to, tires, fuses, blades, batteries, belts, hoses, string trimmer line, engine oil, hydraulic oil, grass bags, and other consumable items where applicable, or adjustments, such as clutch, brake or deck adjustments or tune-ups.

5. Use of the product that is not consistent with the intended use thereof as described in the operating instructions, including, but not limited to, abuse, misuse and/or neglect of the Attachment or any use inconsistent with and/or non-compliant with instructions contained in the Operator's Manual.
6. Any Attachment that has been altered or modified in a manner not consistent with the original design of the Attachment or in a manner not approved by Cub Cadet LLC.
7. Paint repairs or replacements for defective paint (including materials and application) are covered for a period of three (3) months; provided however, that this limited warranty for defective paint does not apply to and shall not cover damage(s) to the paint application resulting from exposure to weather conditions and/or resulting from normal use of the Attachment, including **misuse**.

#### This warranty does not cover and Cub Cadet LLC disclaims any responsibility for:

1. Loss of time or loss of use of the Attachment.
2. Transportation costs and other expenses incurred in connection with the transport of the Attachment to and from the authorized Cub Cadet service provider.
3. Any loss or damage to other equipment or personal items.
4. Damages caused by improper maintenance or the use of other than the specified fuel, oil or lubricants as approved in the operator's manual.
5. Damage resulting from the installation or use of any accessory or part not approved by Cub Cadet for use with the Attachment.

#### Limitations:

1. THERE ARE NO IMPLIED WARRANTIES, INCLUDING, BUT NOT LIMITED TO, ANY IMPLIED WARRANTY OF MERCHANTABILITY OR FITNESS FOR A PARTICULAR PURPOSE. NO WARRANTY SHALL APPLY AFTER THE APPLICABLE WARRANTY PERIOD AS SET FORTH ABOVE AS TO THE PARTS AS IDENTIFIED. NO OTHER EXPRESS WARRANTY OR GUARANTY, WHETHER WRITTEN OR ORAL, EXCEPT AS MENTIONED ABOVE, GIVEN BY ANY PERSON OR ENTITY, INCLUDING A DEALER OR RETAILER, WITH RESPECT TO ANY PRODUCT SHALL BIND CUB CADET LLC. DURING THE WARRANTY PERIOD, THE EXCLUSIVE REMEDY IS REPAIR OR REPLACEMENT OF THE DEFECTIVE PART, AS SET FORTH ABOVE. (SOME STATES DO NOT ALLOW LIMITATIONS ON HOW LONG AN IMPLIED WARRANTY LASTS, SO THE ABOVE LIMITATION MAY NOT APPLY TO YOU.)
2. THE PROVISIONS AS SET FORTH HEREIN PROVIDE THE SOLE AND EXCLUSIVE REMEDY ARISING FROM THE SALE. CUB CADET SHALL NOT BE LIABLE FOR INCIDENTAL OR CONSEQUENTIAL LOSS OR DAMAGES INCLUDING, WITHOUT LIMITATION, FOR TRANSPORTATION OR FOR RELATED EXPENSES, OR FOR RENTAL EXPENSES TO TEMPORARILY REPLACE A WARRANTED PRODUCT. (SOME STATES DO NOT ALLOW THE EXCLUSION OR LIMITATION OF INCIDENTAL OR CONSEQUENTIAL DAMAGES, SO THE ABOVE EXCLUSION OR LIMITATION MAY NOT APPLY TO YOU.)
3. In no event shall recovery of any kind be greater than the amount of the purchase price of the product sold. Alteration of the safety features of the product shall void this limited warranty. You assume the risk and liability for loss, damage, or injury to you and your property and/or to others and their property arising out of the use or misuse or inability to use the product.

#### How State Law Relates to this Warranty:

This limited warranty gives you specific legal rights, and you may also have other rights which vary from state to state.

**Cub Cadet LLC, P.O. BOX 361131 CLEVELAND, OHIO 44136-0019, Phone: 1-877-282-8684**  
**MTD Products Limited, Kitchener, ON N2G 4J1, Phone: 1-800-668-1238**

# ***Notes***

# ***Notes***



To order replacement parts, call a Customer Support Representative at (800) 965-4CUB.  
Locate your nearest Cub Cadet dealer at (877) 282-8684  
or visit [www.cubcadet.com](http://www.cubcadet.com) to find the nearest Cub Cadet dealer in your area.

---

**CUB CADET LLC, P.O. BOX 361131 CLEVELAND, OHIO 44136-0019**

---