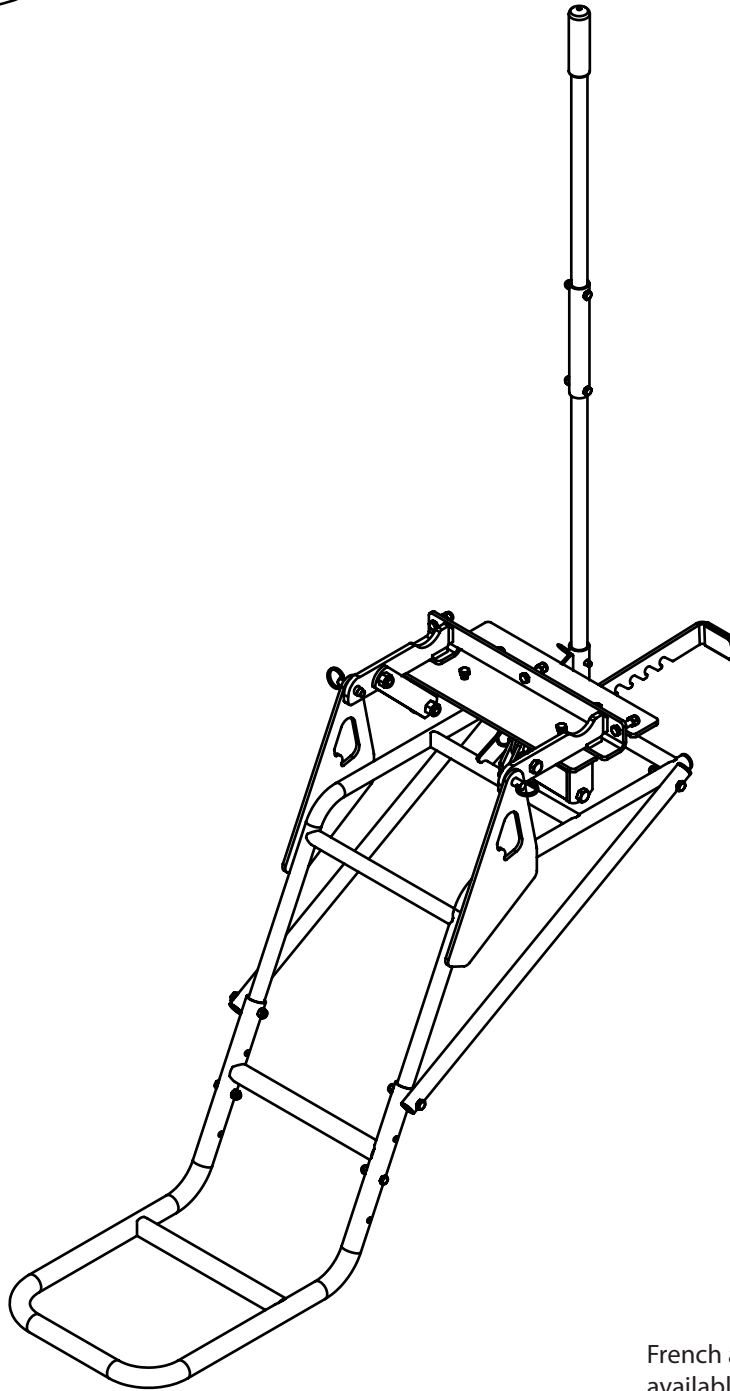




## Log Lift (Model 45-0507)



French and Spanish language manuals are available for download at [www.splitsecondlogsplitter.com](http://www.splitsecondlogsplitter.com)

Instructions for attaching Log Lift to a Super Split logsplitter are available for download at [www.splitsecondlogsplitter.com](http://www.splitsecondlogsplitter.com)

# Safety Rules



Any equipment can cause injury if operated improperly or if the user does not understand how to operate the equipment. Exercise caution at all times when using this equipment.

## General Safety

- Read and understand the instructions in the owner's manual before operating the log lift.
- Never allow anyone who has not read and understood these instructions to operate the log lift.
- Never allow children to operate the log lift.

- Do not use this log lift for any purpose other than lifting logs onto a log splitter.
- Do not climb on log lift
- Do not exceed the manufacturer's recommended weight capacity (180 lbs.) of the log lift.
- Do not use log lift on steep slopes.
- Always check for loose nuts and bolts before each use and tighten any that are found to be loose.
- Always exercise caution when operating log lift. Keep hands and feet clear of moving parts.
- Wear snug fitting gloves while using the log lift.
- Never use the log lift while barefoot or while wearing sandals. Always wear protective shoes with non-skid soles while using the log lift. Safety toe shoes are recommended.

## Assembly Instructions

### Attaching Mount (Figure 1)

1. On the Log Splitter, remove the back two bolts that attach the table to I-Beam. You will use these holes to attach the Lower Mount as shown in Figure 2.
2. Loosen the other four bolts that attach the front of the table to I-Beam. This will allow the table to pivot.
3. Assemble the Mount (2) to the side of the I-Beam using three 3/8 x 1-1/4" hex bolts (17) and 3/8" nylock nuts (18).

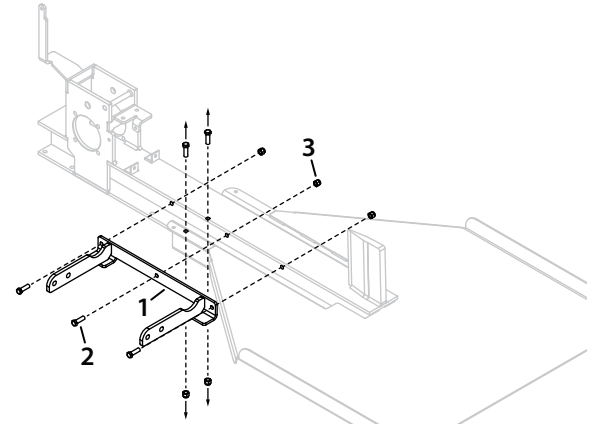


FIGURE 1

### Attaching Lower Mount (Figure 2)

1. Attach the Lower Mount (3) to the bottom of the I-Beam and the table using four 3/8 x 1-1/4" hex bolts (17) and 3/8" nylock nuts (18).

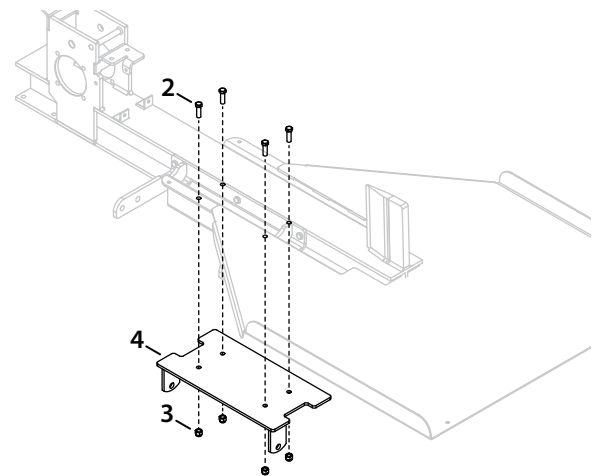


FIGURE 2

### Assembling Support Brackets (Figure 3)

1. Assemble a Support Bracket (8) to the outside of the Mount and Lower Mount using two 1/2 x 1-1/4" hex bolts (14) and 1/2" nylock nuts (15).
2. Repeat for the second support bracket on the opposite side of the Mount and Lower Mount.

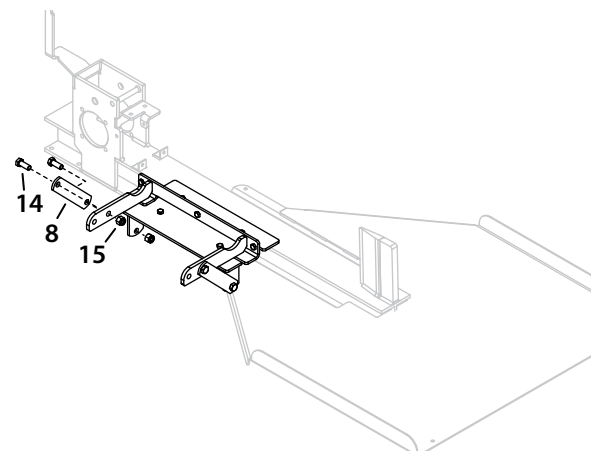


FIGURE 3

## Assembling Outside Support Tubes (Figure 4)

1. Press a 1" Tube Plug (25) into the ends of the Outside Support Tubes (10) and the Tube Frame (1).
2. Attach an Outside Support Tube (10) to each side of the Tube Frame (1) using a 5/16 x 2-1/2" hex bolts (16) and 5/16" nylock nuts (13).

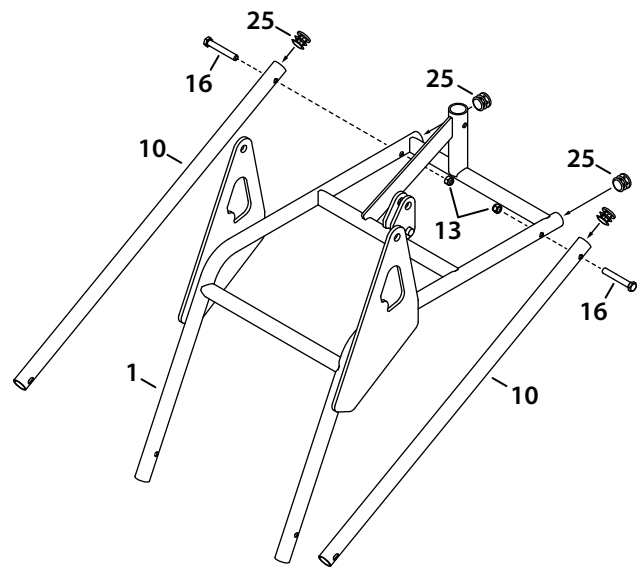


FIGURE 4

## Assembling Lift End (Default or Lowest Height) (Figure 5)

1. If your logsplitter table is set to the default or lowest height, you will use hole 2 (default) or hole 1 (lowest).
2. Slide the Lift End (7) onto the Tube Frame (1) until hole 1 or 2 lines up with the hole in the Tube Frame and the hole in the Support Tubes (10).
3. Secure the Lift End (13) to the Tube Frame (1) and Support Tubes (10) using two 5/16 x 3" hex bolts (32) and 5/16" nylock nuts (13).

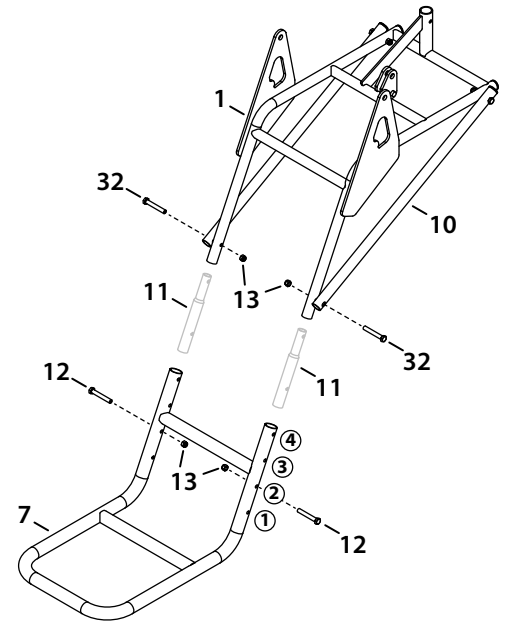


FIGURE 5

## Assembling Lift End (Tallest Heights) (Figure 5)

*Note: Log Splitter not shown for clarity.*

1. Attach the Tube Frame (1) to the Mount (2) using two 1/2 x 1" retaining pins (19).

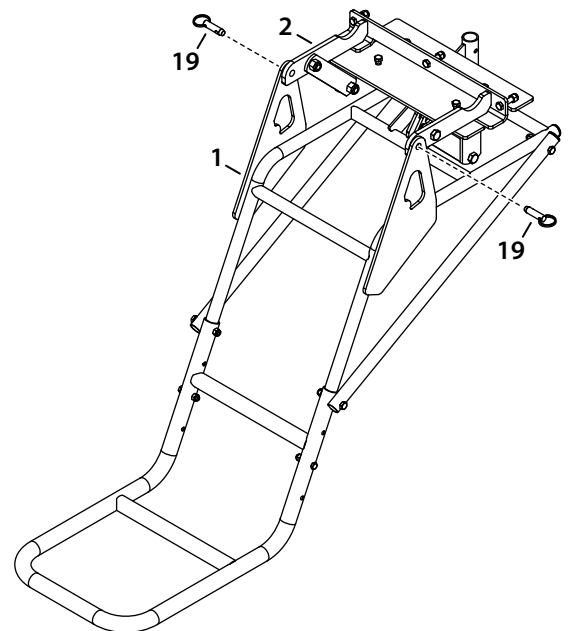


FIGURE 6

## Assembling Lock Bracket to Tube Frame (Figure 7)

*Note: Log Splitter not shown for clarity. Lift shown from underneath.*

1. Slip the 1/4 x 1-1/2" Grip (26) onto the end of the Lock Bracket (9) handle.
2. Attach the end of the Lock Bracket (9) to the Tube Frame (1) using a 1/2 x 1" retaining pin (19).

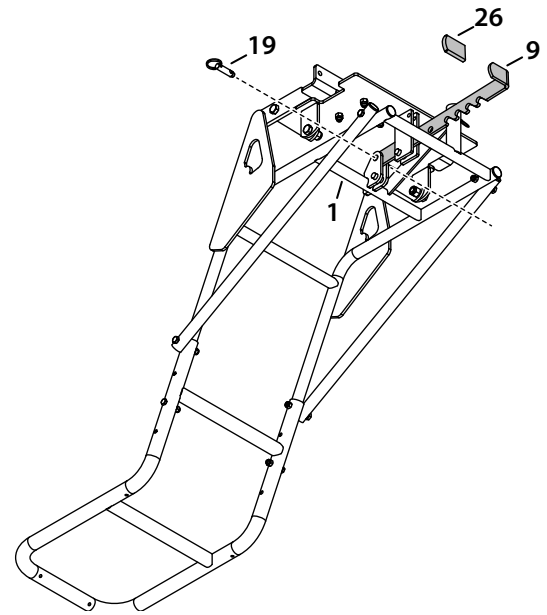


FIGURE 7

## Assembling Lift Handle to Tube Frame (Figure 8)

*Note: Log Splitter not shown for clarity.*

1. Secure the Handle (4) into the Handle Connector Tube (6) using a 5/16 x 1-5/8" curved head bolt (23) and 5/16" whiz lock nut (24).
2. Secure the opposite end of the Handle Connector Tube (6) to the Lower Handle (5) using a 5/16 x 1-5/8" curved head bolt (23) and 5/16" whiz lock nut (24).
3. Attach the Lower Handle (5) to the Tube Frame (1) using a 5/16 x 1-7/8" retaining pin (22).

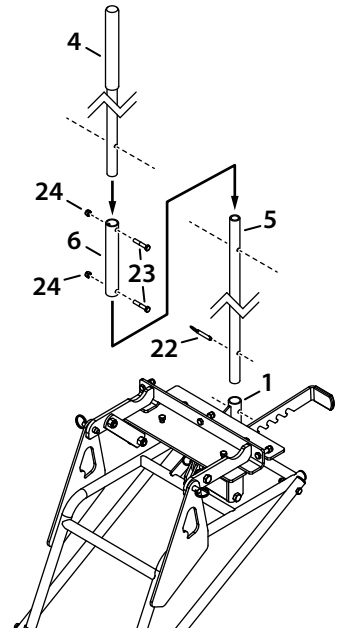


FIGURE 8

## Attaching Outrigger Mount Bracket to Table (Figure 9)

1. Attach each Outrigger Mount Bracket (29) to the holes located under the table using two 3/8 x 1-1/4" hex bolts (17) and 3/8" nylock nuts (18).

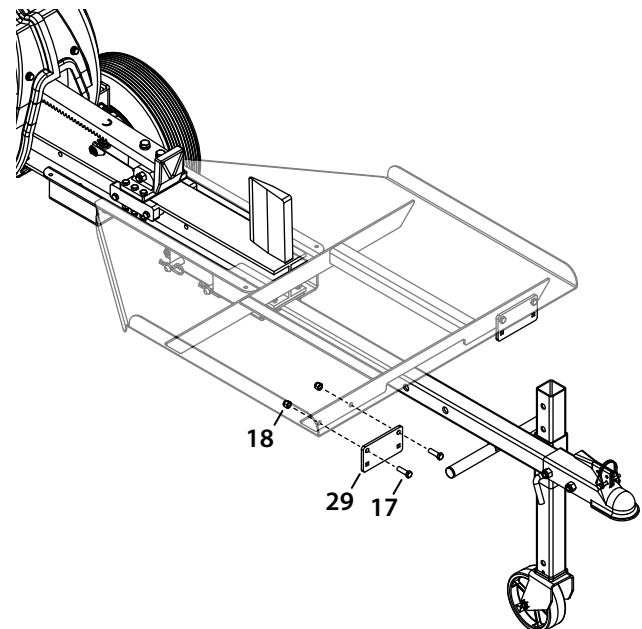


FIGURE 9

## Assembling Outriggers to Mount Brackets (Figure 10)

1. Slide a Lower Outrigger (27) into an Upper Outrigger (28).
2. Attach the Upper Outrigger (28) to an Outrigger Mount Bracket (29) using two 5/16 x 1" carriage bolts (20) and wing knobs (21).
3. Secure the Lower Outrigger (27) in the Upper Outrigger (28) using a 5/16 x 1-7/8" retaining pin (22). Use the height hole that best supports the table.
4. Repeat steps 1-3 on the opposite side for the other outrigger.

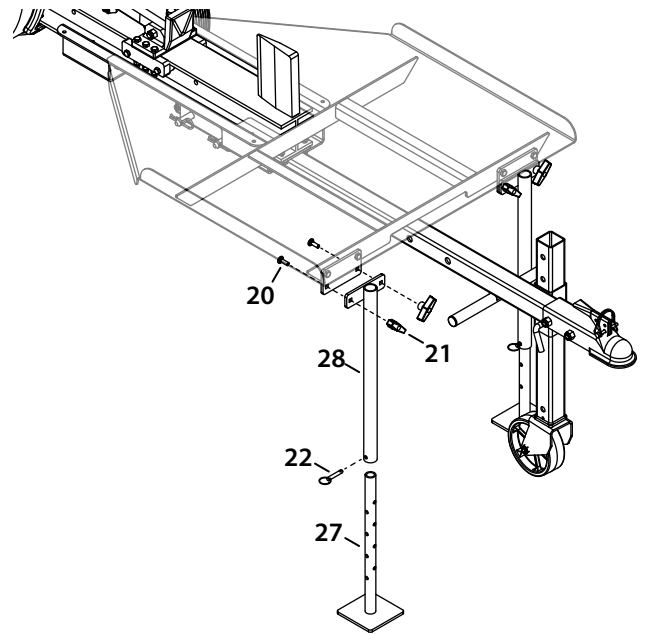
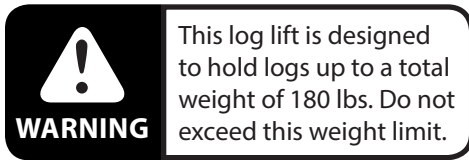


FIGURE 10

## Operating Instructions



This log lift is designed to hold logs up to a total weight of 180 lbs. Do not exceed this weight limit.

### Before Each Use

1. Check for loose fasteners. Tighten any fasteners that are loose.

### Lifting a Log onto the Table (Figure 11)

1. Make sure handle (1) is secured to the tube frame (2).
2. Pull down on handle (1) until lift end (3) is level with table and locked in position.
3. Roll log onto table.

### Locking the Log Lift (Figure 11)

1. Lock the lift if it is unattended or not in use for short periods of time.
2. Insert the 5/16 x 1-7/8" retaining ring (4) through the lock bracket (5) in the tube frame (2).

### Removing the Handle (Figure 11)

1. The handle (1) can be removed instead of locking the lift.
2. Remove the 5/16 x 1-7/8" retaining ring (6) securing handle (1) to tube frame (2).
3. Remove handle (1) from tube frame (2) and place 5/16 x 1-7/8" retaining ring (6) back into tube frame (2) for safe keeping.

### Removing the Log Lift for Transport (Figure 11)

1. Remove the handle (1) using the instructions above.
2. Remove the 1/2 x 1" retaining ring (not shown) from the lock bracket (8) and tube frame (2). Remove the lock bracket and replace the retaining ring for safe keeping.
3. Remove the 1/2 x 1" retaining rings (7) from the tube frame (2) and mount (9). Remove the tube frame and replace the retaining rings for safe keeping.

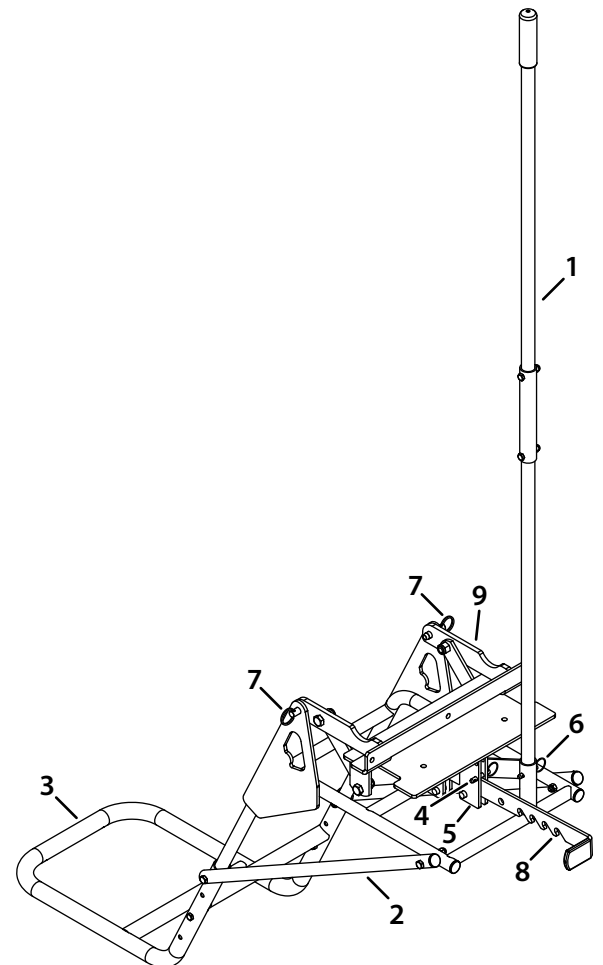
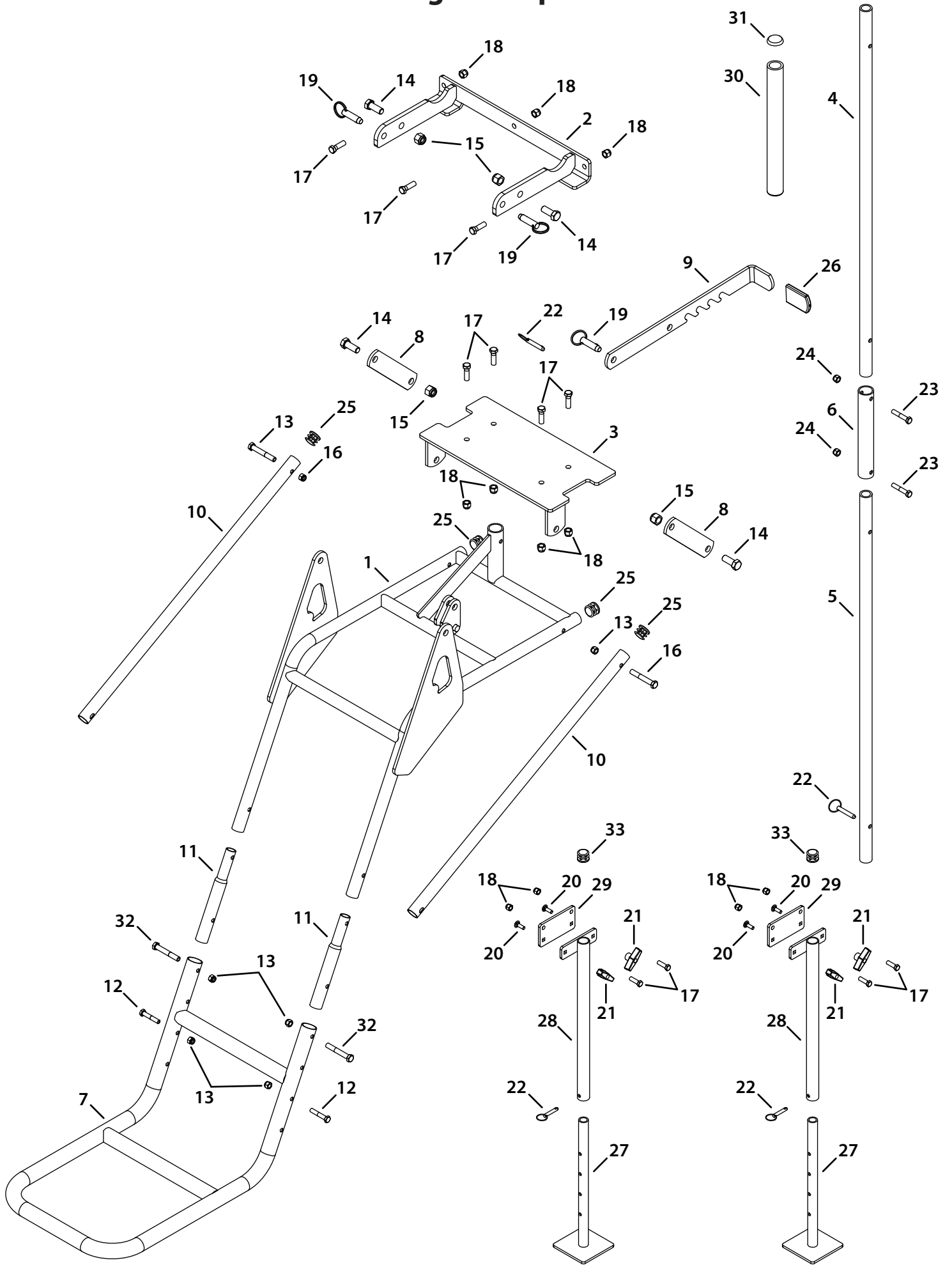


FIGURE 11

# 45-0507 Log Lift Repair Parts



## 45-0507 Log Lift Repair Parts

REF	QTY	PART NO	DESCRIPTION
1	1	67933	Tube Frame
2	1	67935	Mount
3	1	67936	Lower Mount
4	1	68109	Handle (includes part #30)
5	1	27801	Lower Lift Handle
6	1	27606	Handle Connector Tube
7	1	68238	Lift End
8	2	27608	Support Bracket
9	1	27609	Lock Bracket
10	2	27797	Outside Support Tube
11	2	27798	Inner Tube
12	2	43084	Hex Bolt, 5/16-18 x 1-3/4"
13	6	47810	Nylock Nut, 5/16"
14	4	43351	Hex Bolt, 1/2-13 x 1-1/4"
15	4	41657	Nylock Nut, 1/2"
16	2	44292	Hex Bolt, 5/16-18 x 2-1/2"
17	11	43087	Hex Bolt, 3/8-16 x 1-1/4"
18	11	HA21362	Nylock Nut, 3/8"
19	3	42868	Retaining Pin, 1/2 x 1"
20	4	44326	Carriage Bolt, 5/16-18 x 1"
21	4	43720	Wing Knob
22	4	42869	Retaining Pin, 5/16 x 1-7/8"
23	2	44947	Curved Head Bolt, 5/16-18 x 1-5/8"
24	2	46584	Whiz Lock Nut, 5/16"
25	4	49449	Tube Plug, 1"
26	1	42870	Grip, 1/4 x 1-1/2"
27	2	68243	Lower Outrigger
28	2	68244	Upper Outrigger
29	2	27806	Outrigger Mount Bracket
30	1	42986	Foam Grip
31	1	42991	Handle Plug
32	2	46782	Hex Bolt, 5/16-18 x 3"
33	2	47674	Tube Plug, 1-1/4"
	1	42871	Owners Manual

***SpeedEPart*** *the fastest way to purchase parts* [www.speedepart.com](http://www.speedepart.com)

**REPAIR PARTS**

Agri-Fab, Inc.  
809 South Hamilton  
Sullivan, IL 61951  
1-800-448-9282  
[www.splitsecondlogsplitter.com](http://www.splitsecondlogsplitter.com)