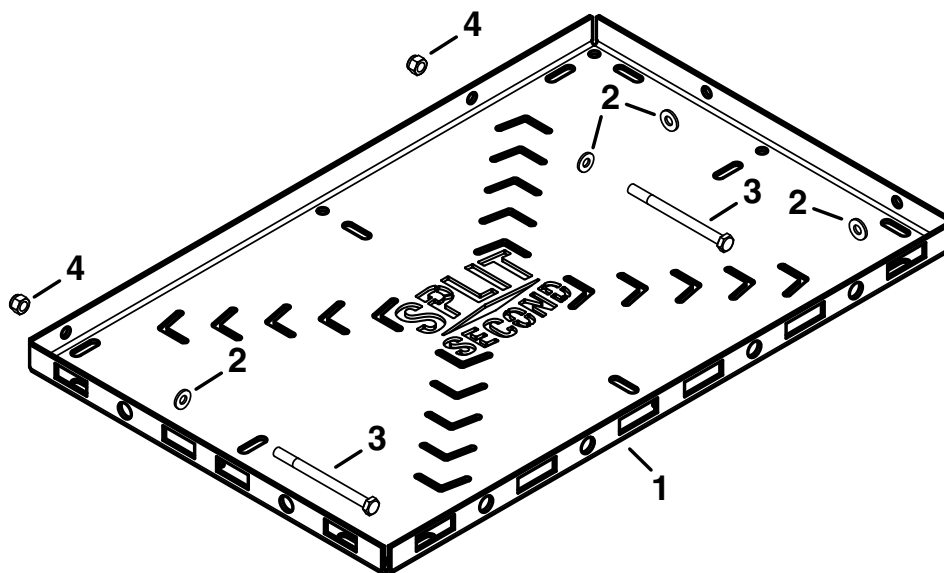




Tool Tray (Model 45-0505)



REF	QTY	PART NO	DESCRIPTION
1	1	68296	Tool Tray
2	4	43088	Washer, 5/16"
3	2	47407	Hex Bolt, 5/16-18 x 4"
4	2	47810	Nylock Nut, 5/16-18

French and Spanish language manuals are available for download at www.splitsecondlogsplitter.com

Safety Rules



Any equipment can cause injury if operated improperly or if the user does not understand how to operate the equipment. Exercise caution at all times when using this equipment.

General Safety

Assembly Instructions

Preparing Log Splitter (Figure 1)

1. On the Log Splitter, remove the back two bolts that attach the belt guard to the engine mount bracket. You will use these holes and hardware to attach the Tool tray as shown in Figure 2.

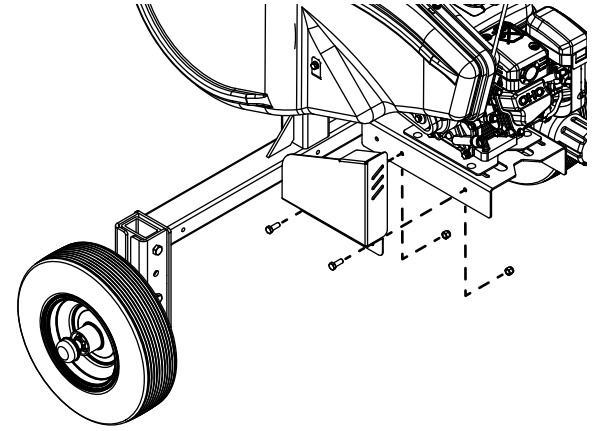


FIGURE 1

Attaching Tool Tray (Figure 2)

1. Attach the Tool Tray (1) and belt guard to the engine mount bracket using the hardware you removed in Figure 1 and two 5/16" washers (2).

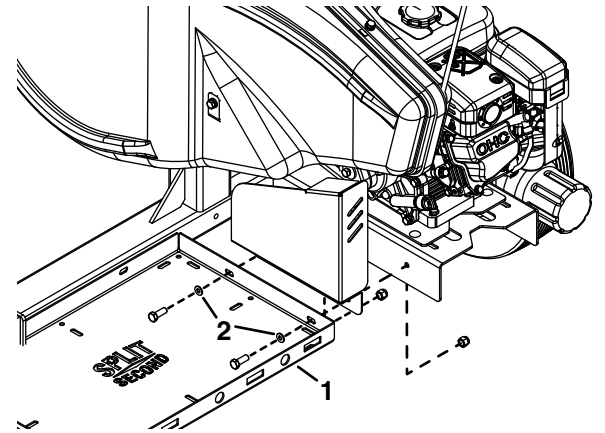


FIGURE 2

Securing Tool Tray (Figure 3)

2. Secure the Tool Tray (1) to the frame assembly using two 5/16 x4" hex bolts (3), two 5/16" washers (2), and two 5/16" nylock nuts (4).

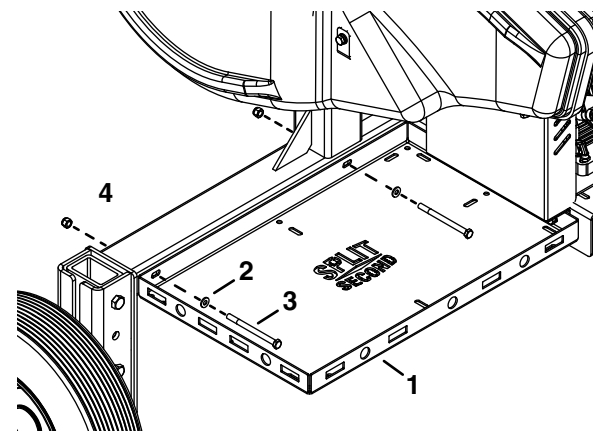


FIGURE 3

Operating Instructions



This tool tray is designed to hold up to a total weight of 35 lbs. Do not exceed this weight limit.

Before Each Use

1. Check for loose fasteners. Tighten any fasteners that are loose.

- Read and understand the instructions in the owner's manual before using the tool tray.
- Never allow anyone who has not read and understood these instructions to use the tool tray.
- Never allow children to use the tool tray.
- Do not exceed the manufacturer's recommended weight capacity (35 lbs.) of the tool tray.
- Do not climb, sit, or stand on tool tray.
- Always check for loose nuts and bolts before each use and tighten any that are found to be loose.